

2203937-1 ✓ ACTIVE

AMP | AMP 0.64 Connector System

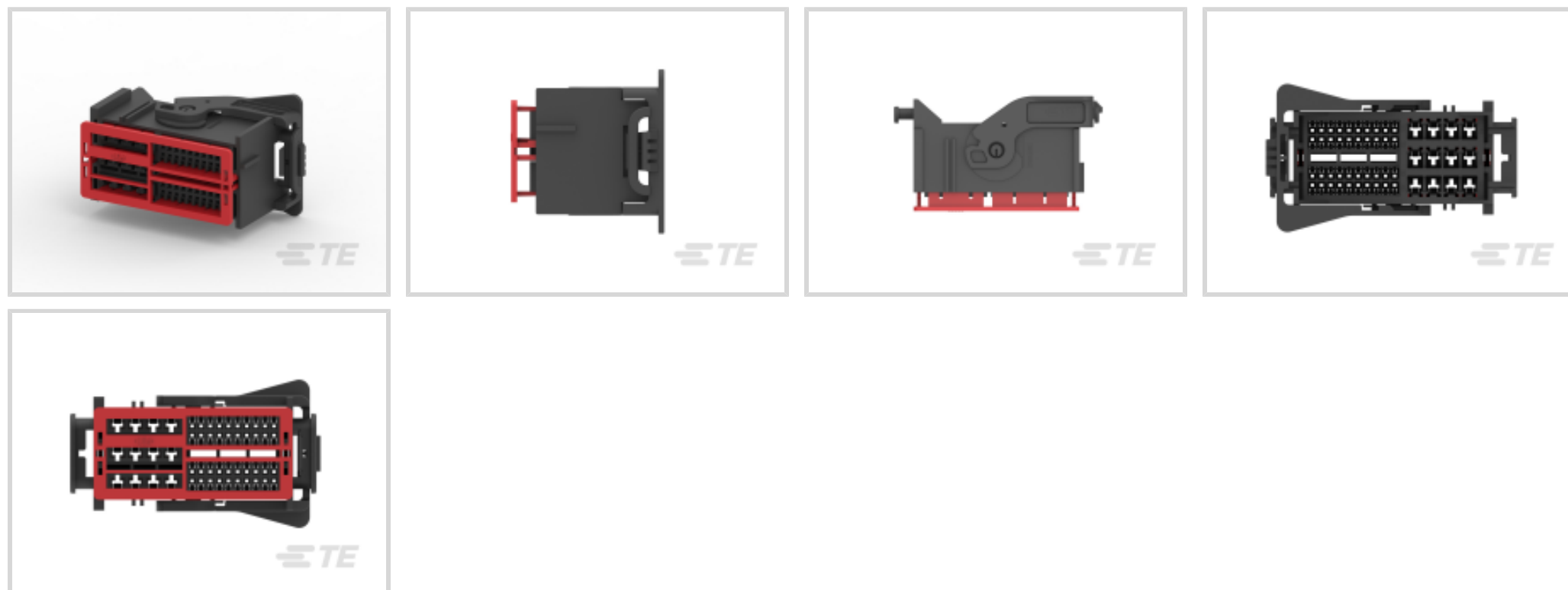
TE Internal #: 2203937-1

12 V, 52 Position, Automotive Housing for Female Terminals, Wire-to-Wire, 2.54 mm / 5 mm [.1 in / .2 in] Centerline, Black, AMP 0.64 Connector System

[View on TE.com >](#)



Automotive Parts > Automotive Connectors > Automotive Housings



Nominal Voltage Architecture: 12 V

Connector & Housing Type: **Housing for Female Terminals**

Number of Positions: 52

Sealable: **No**

Operating Temperature Range: -40 – 140 °C [-40 – 284 °F]

Features

Product Type Features

Mixed & Hybrid Connector	Yes
Connector Shape	Rectangular
Connector & Housing Type	Housing for Female Terminals
Sealable	No
Primary Locking Feature	Integrated in Housing
Connector System	Wire-to-Wire
Connector & Contact Terminates To	Wire & Cable

Configuration Features

Number of Positions	52
Number of Rows	5

Electrical Characteristics

Nominal Voltage Architecture	12 V
------------------------------	------

Body Features

Cable Exit Angle	90 °
------------------	------



Primary Product Color	Black
-----------------------	-------

Contact Features

Contact Size	.64mm, 2.8mm
Contact Type	Receptacle
Mating Tab Width	.64 mm, 2.8 mm [.025 in][.11 in]
Contact Current Rating (Max)	7.5 A

Mechanical Attachment

Strain Relief	With
Terminal Position Assurance	Yes
Mating Alignment Type	Polarization
Mating Alignment	With
Connector Mounting Type	Cable Mount (Free-Hanging)

Housing Features

Housing Material	Nylon
Centerline (Pitch)	2.54 mm, 5 mm [.1 in][.2 in]

Dimensions

Row-to-Row Spacing	2.54 mm [.1 in]
Product Width	2.54 mm [.1 in]
Product Length	68.2 mm [2.68 in]
Connector Height	31.6 mm [1.24 in]

Usage Conditions

Operating Temperature Range	-40 – 140 °C [-40 – 284 °F]
Operating Temperature (Max)	140 °C [284 °F]

Operation/Application

Circuit Application	Power & Signal
---------------------	----------------

Industry Standards

Compatible With Agency/Standards Products	SAE/USCAR-2
---	-------------

Packaging Features

Packaging Quantity	27
Packaging Method	Tray

Other



Serviceable	No
Connector Position Assurance Capable	No

Product Compliance

[For compliance documentation, visit the product page on TE.com>](#)

EU RoHS Directive 2011/65/EU	Compliant
EU ELV Directive 2000/53/EC	Compliant
China RoHS 2 Directive MIIT Order No 32, 2016	有害物质含量符合标准要求 No Restricted Substance(s) Above Threshold
EU REACH Regulation (EC) No. 1907/2006	Current ECHA Candidate List: JUNE 2025 (250) Candidate List Declared Against: JUNE 2025 (250) Does not contain REACH SVHC
Halogen Content	BFR/CFR/PVC Free, but Br/Cl >900 ppm in other sources.
Solder Process Capability	Not reviewed for solder process capability

Product Compliance Disclaimer

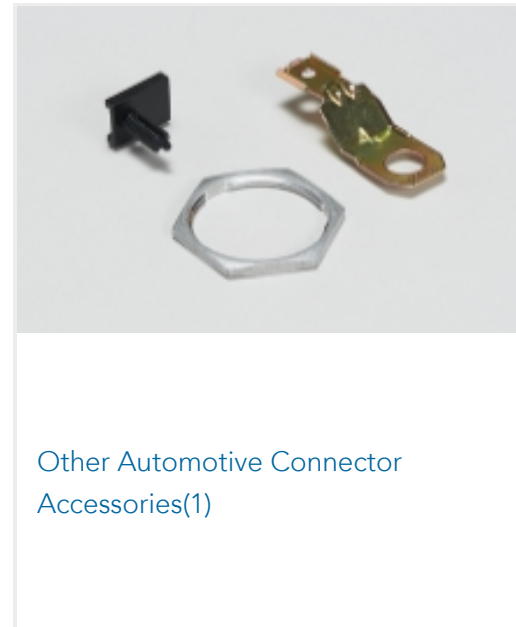
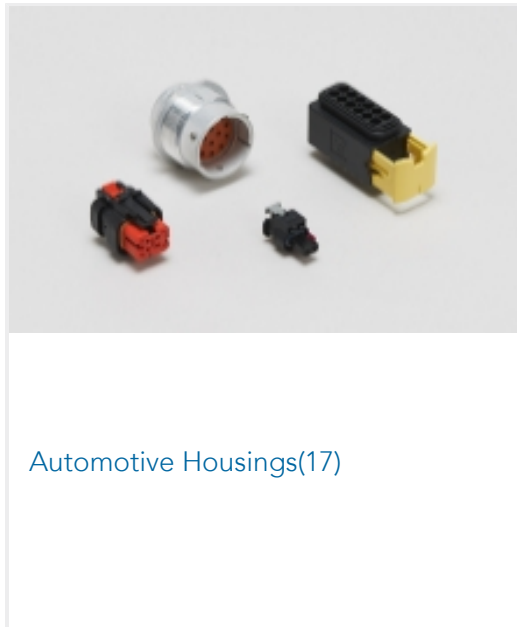
This information is provided based on reasonable inquiry of our suppliers and represents our current actual knowledge based on the information they provided. This information is subject to change. The part numbers that TE has identified as EU RoHS compliant have a maximum concentration of 0.1% by weight in homogenous materials for lead, hexavalent chromium, mercury, PBB, PBDE, DBP, BBP, DEHP, DIBP, and 0.01% for cadmium, or qualify for an exemption to these limits as defined in the Annexes of Directive 2011/65/EU (RoHS2). Finished electrical and electronic equipment products will be CE marked as required by Directive 2011/65/EU. Components may not be CE marked. Additionally, the part numbers that TE has identified as EU ELV compliant have a maximum concentration of 0.1% by weight in homogenous materials for lead, hexavalent chromium, and mercury, and 0.01% for cadmium, or qualify for an exemption to these limits as defined in the Annexes of Directive 2000/53/EC (ELV). Regarding the REACH Regulation, the information TE provides on SVHC in articles for this part number is based on the latest European Chemicals Agency (ECHA) 'Guidance on requirements for substances in articles' posted at this URL: <https://echa.europa.eu/guidance-documents/guidance-on-reach>

Compatible Parts





Also in the Series | AMP 0.64 Connector System



Customers Also Bought





Documents

Product Drawings

[52 pos plug assy, 0.64 and 2.8](#)

English

CAD Files

[3D PDF](#)

3D

Customer View Model

[ENG_CVM_CVM_2203937-1_A.2d_dxf.zip](#)

English

Customer View Model

[ENG_CVM_CVM_2203937-1_A.3d_igs.zip](#)

English

Customer View Model

[ENG_CVM_CVM_2203937-1_A.3d_stp.zip](#)

English

By downloading the CAD file I accept and agree to the [Terms and Conditions](#) of use.

Product Specifications

[Application Specification](#)

English

[Application Specification](#)

English

[Application Specification](#)

English