



Automotive Parts > Automotive Connector Accessories > Other Automotive Connector Accessories



Primary Product Color: **Red**

Primary Product Material: **PBT GF**

Automotive Connector Accessory Type: **Mounting Clip**

Operating Temperature Range: **-40 – 125 °C [-40 – 257 °F]**

Features

Product Type Features

Automotive Connector Accessory Type	Mounting Clip
-------------------------------------	---------------

Body Features

Primary Product Color	Red
Primary Product Material	PBT GF

Usage Conditions

Operating Temperature Range	-40 – 125 °C[-40 – 257 °F]
-----------------------------	------------------------------

Industry Standards

UL Flammability Rating	UL 94HB
------------------------	---------

Packaging Features

Packaging Method	Bulk
Packaging Quantity	320

Other

Serviceable	Yes
-------------	-----

Product Compliance

[For compliance documentation, visit the product page on TE.com>](#)



EU RoHS Directive 2011/65/EU	Compliant
EU ELV Directive 2000/53/EC	Compliant
China RoHS 2 Directive MIIT Order No 32, 2016	有害物质含量符合标准要求 No Restricted Substance(s) Above Threshold
EU REACH Regulation (EC) No. 1907/2006	Current ECHA Candidate List: JUNE 2025 (250) Candidate List Declared Against: JUNE 2024 (241) Does not contain REACH SVHC
Halogen Content	Low Halogen - Br, Cl, F < 900 ppm per homogenous material. Also BFR/CFR/PVC Free
Solder Process Capability	Not applicable for solder process capability

Product Compliance Disclaimer

This information is provided based on reasonable inquiry of our suppliers and represents our current actual knowledge based on the information they provided. This information is subject to change. The part numbers that TE has identified as EU RoHS compliant have a maximum concentration of 0.1% by weight in homogenous materials for lead, hexavalent chromium, mercury, PBB, PBDE, DBP, BBP, DEHP, DIBP, and 0.01% for cadmium, or qualify for an exemption to these limits as defined in the Annexes of Directive 2011/65/EU (RoHS2). Finished electrical and electronic equipment products will be CE marked as required by Directive 2011/65/EU. Components may not be CE marked. Additionally, the part numbers that TE has identified as EU ELV compliant have a maximum concentration of 0.1% by weight in homogenous materials for lead, hexavalent chromium, and mercury, and 0.01% for cadmium, or qualify for an exemption to these limits as defined in the Annexes of Directive 2000/53/EC (ELV). Regarding the REACH Regulation, the information TE provides on SVHC in articles for this part number is based on the latest European Chemicals Agency (ECHA) 'Guidance on requirements for substances in articles' posted at this URL: <https://echa.europa.eu/guidance-documents/guidance-on-reach>

Also in the Series | **AMPSEAL 16**



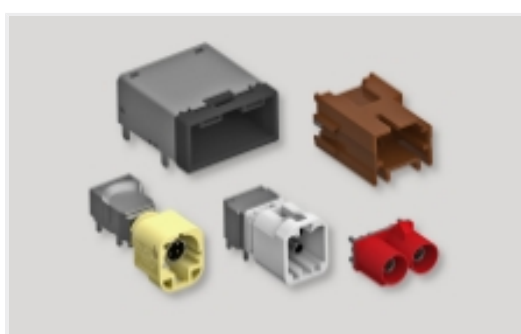
Automotive Connector Caps & Covers (93)



Automotive Housings(241)



Automotive Terminals(35)



Data Connectivity Headers(9)



Data Connectivity Housings(8)

Customers Also Bought



TE Part #0411-240-2005
EXT TOOL, SIZE 20, 16-22 AWG, N,
RED



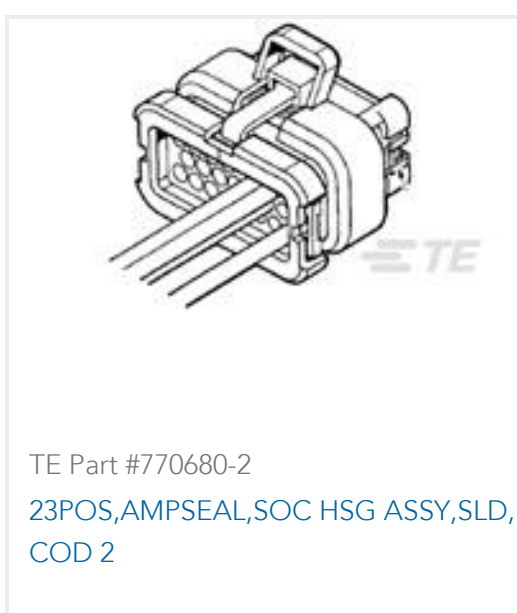
TE Part #CAT-D48-SFT273
DEUTSCH Connector Stamped and
Formed Contacts - Reel



TE Part #HDT-48-00
CRIMP TOOL, HAND



TE Part #CAT-H396-CH8172
DEUTSCH HDP20 Housings



TE Part #770680-2
23POS,AMPSEAL,SOC HSG ASSY,SLD,
COD 2



TE Part #DTT-20-00
CRIMP TOOL



TE Part #2203876-2
MOUNTING CLIP, ML CONN, 4MM
PANEL



TE Part #2203956-1
COVER,AMPSEAL 16 ML CONN, 180
DEG

Documents

CAD Files

3D PDF

3D

Customer View Model

[ENG_CVM_CVM_2203876-1_A.2d_dxf.zip](#)

English

Customer View Model

[ENG_CVM_CVM_2203876-1_A.3d_igs.zip](#)

English

Customer View Model

[ENG_CVM_CVM_2203876-1_A.3d_stp.zip](#)

English

By downloading the CAD file I accept and agree to the [Terms and Conditions](#) of use.

Product Specifications

Application Specification

English

