



Connectors &gt; Pluggable IO Connectors &amp; Cages

Form Factor: **SFP+**Pluggable I/O Product Type: **Cage Assembly**Sealable: **No**Circuit Application: **Signal**Operating Temperature Range: **-55 – 105 °C [-67 – 221 °F]**

## Features

### Termination Features

Termination Method to PCB	Through Hole - Press-Fit
Termination Post & Tail Length	2.05 mm[.081 in]

### Dimensions

PCB Thickness (Recommended)	2.25 mm[.089 in]
-----------------------------	------------------

### Housing Features

Cage Material	Nickel Silver
---------------	---------------

### Body Features

Heat Sink Style	Pin
	.165 in
Heat Sink Height Class	PCI

### Packaging Features

Packaging Method	Tray
------------------	------

### Operation/Application

Pluggable I/O Applications	SFP+ Enhanced
Heat Sink Compatible	Yes
Circuit Application	Signal

### Product Type Features

Cage Type	Ganged
Thermal Accessory Type Included	Heat Sink



Form Factor	SFP+
Pluggable I/O Product Type	Cage Assembly
Sealable	No

### Configuration Features

Number of Ports	6
Port Matrix Configuration	1 x 6

### Electrical Characteristics

Data Rate (Max)	16 Gb/s
-----------------	---------

### Usage Conditions

Operating Temperature Range	-55 – 105 °C[-67 – 221 °F]
-----------------------------	----------------------------

### Other

Included Lightpipe	No
EMI Containment Feature Type	Internal/External EMI Springs
EU RoHS Compliance	Compliant
EU ELV Compliance	Compliant

### Product Compliance

[For compliance documentation, visit the product page on TE.com>](#)

EU RoHS Directive 2011/65/EU	Compliant
EU ELV Directive 2000/53/EC	Compliant
China RoHS 2 Directive MIIT Order No 32, 2016	No Restricted Materials Above Threshold
EU REACH Regulation (EC) No. 1907/2006	Current ECHA Candidate List: JUNE 2024 (241) Candidate List Declared Against: JUNE 2024 (241) Does not contain REACH SVHC
Halogen Content	Low Halogen - Br, Cl, F, I < 900 ppm per homogenous material. Also BFR/CFR/PVC Free
Solder Process Capability	Not applicable for solder process capability

#### Product Compliance Disclaimer

This information is provided based on reasonable inquiry of our suppliers and represents our current actual knowledge based on the information they provided. This information is subject to change. The part numbers that TE has identified as EU RoHS compliant have a maximum concentration of 0.1% by weight in homogenous materials for lead, hexavalent chromium, mercury, PBB, PBDE, DBP, BBP, DEHP, DIBP, and 0.01% for cadmium, or qualify for an exemption to these limits as defined in the Annexes of Directive 2011/65/EU (RoHS2). Finished electrical and electronic equipment products will be CE marked as required by Directive 2011/65/EU. Components may not be CE marked. Additionally, the part

numbers that TE has identified as EU ELV compliant have a maximum concentration of 0.1% by weight in homogenous materials for lead, hexavalent chromium, and mercury, and 0.01% for cadmium, or qualify for an exemption to these limits as defined in the Annexes of Directive 2000/53/EC (ELV). Regarding the REACH Regulation, the information TE provides on SVHC in articles for this part number is based on the latest European Chemicals Agency (ECHA) 'Guidance on requirements for substances in articles' posted at this URL: <https://echa.europa.eu/guidance-documents/guidance-on-reach>

## Compatible Parts



TE Part # 2007174-3  
SFP 1x6 Light Pipe Assy, Reduced Length



TE Part # 2142970-3  
CABLE ASSY, MICRO SFP+ TO STD SFP+, 2M



TE Part # 2007174-1  
SFP Standard 1x6 Light Pipe Assm



TE Part # CAT-C11-N490325  
QSFP28-Four SFP+ Cable Assembly: 26 AWG



TE Part # CAT-Q17-N490333  
QSFP56-Four SFP56 Cable Assembly: 26 AWG



TE Part # CAT-C11-N490333  
QSFP28-Four SFP+ Cable Assembly: 30 AWG



TE Part # 2142970-7  
CABLE ASSY, MICRO SFP+ TO STD SFP+, 6M



TE Part # CAT-C11-N4901114  
SFP28 to SFP28 Cable Assembly: 30 AWG



TE Part # 2110743-1  
SFP 1x6 Light Pipe Assy, Low Profile



TE Part # 4-2821222-5  
SFP56 DIRECT ATTACH CA, 2M, 30AWG



TE Part # 2821033-8  
QSFP TO [4]SFP+, 28G, 1M, 33AWG



TE Part # 2142970-6  
CABLE ASSY, MICRO SFP+ TO STD SFP+, 5M



TE Part # 2142970-5  
CABLE ASSY, MICRO SFP+ TO STD SFP+, 4M



TE Part # CAT-C11-H506  
SFP+ to SFP+ I/O Cable Assembly: 26 AWG



TE Part # CAT-C11-H5  
SFP+ to SFP+ I/O Cable Assembly: 24 AWG



TE Part # CAT-C11-H50626  
SFP+ to SFP+ I/O Cable Assembly: 30 AWG



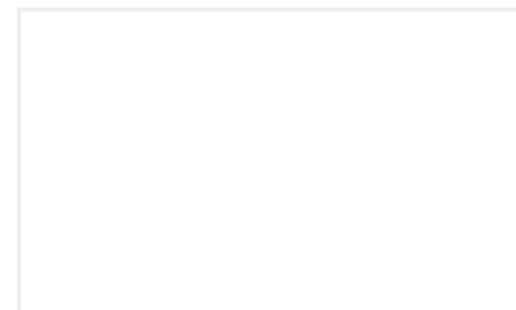
TE Part # 2142970-1  
CABLE ASSY, MICRO SFP+ TO STD SFP+, 0.5M



TE Part # 2110759-1  
PT CONN ASSY 20 POS 16G SFP



TE Part # 4-2334985-2  
SFP56 DIRECT ATTACH CA, 1M, 32AWG



TE Part # 2366186-1  
ASSY SEATING TOOL, 1X6

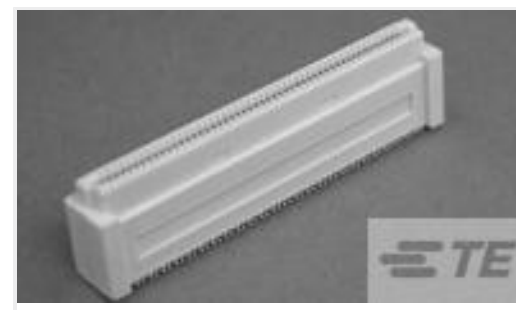
## Customers Also Bought



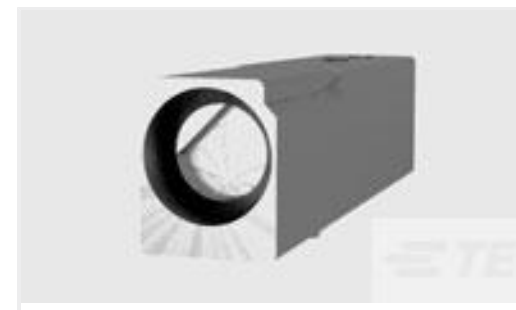
TE Part #5223968-1  
TE UPM R/A Header 3P STD Power, LMM



TE Part #5-5223968-1  
TE UPM R/A Header 3P HC Power, LMM



TE Part #5084968-1  
0.8FH,R13H.5,040,08/Sn,TR,KT



TE Part #5120913-8  
UPM KEYED GUIDE MODULE

## Documents

### CAD Files

#### Customer View Model

[ENG\\_CVM\\_CVM\\_2198235-1\\_A.2d\\_dxf.zip](#)

English

#### 3D PDF

3D

#### Customer View Model

[ENG\\_CVM\\_CVM\\_2198235-1\\_A.3d\\_igs.zip](#)

English

#### Customer View Model

[ENG\\_CVM\\_CVM\\_2198235-1\\_A.3d\\_stp.zip](#)

English

By downloading the CAD file I accept and agree to the [Terms and Conditions](#) of use.

### Product Specifications

#### Application Specification

English