

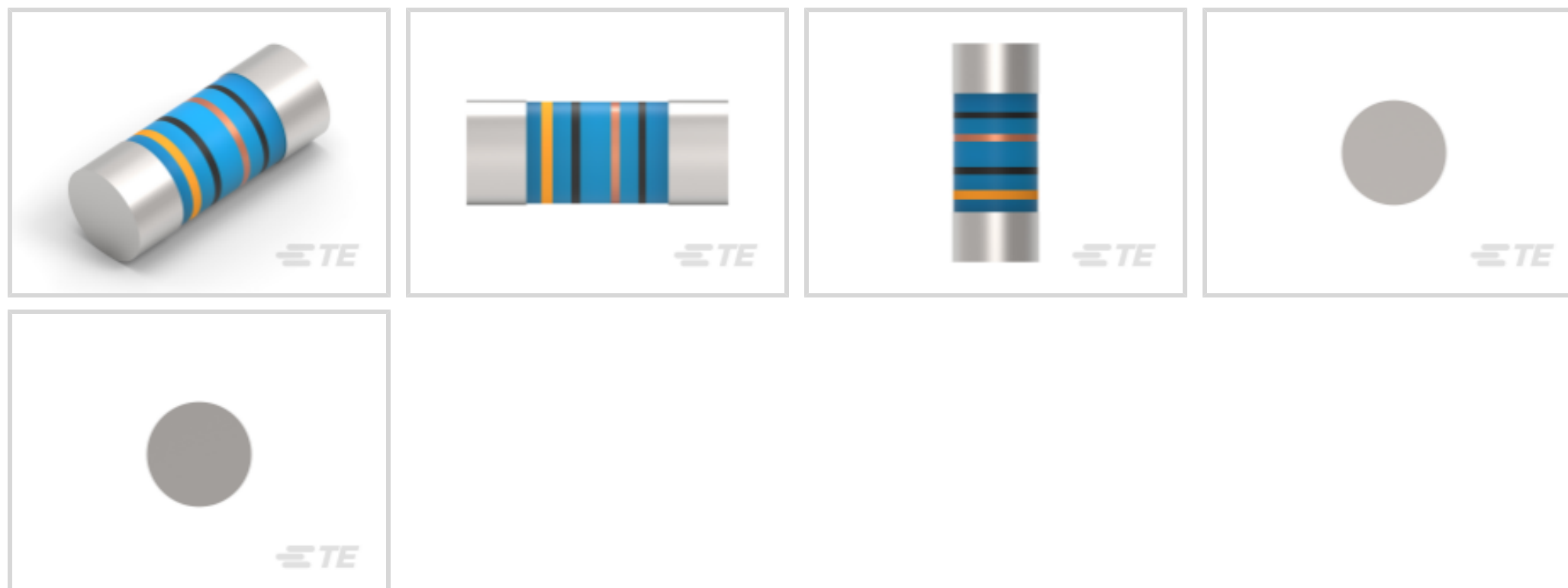
SMA-A0102BTN220R ! PENDING OBSOLESCENCE

Neohm | Neohm SMA-A

TE Internal #: 2176314-5

TE Internal Description: MELF SMA_A 220R 0.1% 15PPM 0102 0.3W

[View on TE.com >](#)



Product Compliance

[For compliance documentation, visit the product page on TE.com>](#)

EU RoHS Directive 2011/65/EU	Compliant
EU ELV Directive 2000/53/EC	Compliant
China RoHS 2 Directive MIIT Order No 32, 2016	No Restricted Materials Above Threshold
EU REACH Regulation (EC) No. 1907/2006	Current ECHA Candidate List: JUNE 2024 (241) Candidate List Declared Against: JUNE 2023 (235) Does not contain REACH SVHC
Halogen Content	Low Halogen - Br, Cl, F, I < 900 ppm per homogenous material. Also BFR/CFR/PVC Free
Solder Process Capability	Reflow solder capable to 260°C

Product Compliance Disclaimer

This information is provided based on reasonable inquiry of our suppliers and represents our current actual knowledge based on the information they provided. This information is subject to change. The part numbers that TE has identified as EU RoHS compliant have a maximum concentration of 0.1% by weight in homogenous materials for lead, hexavalent chromium, mercury, PBB, PBDE, DBP, BBP, DEHP, DIBP, and 0.01% for cadmium, or qualify for an exemption to these limits as defined in the Annexes of Directive 2011/65/EU (RoHS2). Finished electrical and electronic equipment products will be CE marked as required by Directive 2011/65/EU. Components may not be CE marked. Additionally, the part numbers that TE has identified as EU ELV compliant have a maximum concentration of 0.1% by weight in homogenous materials for lead, hexavalent chromium, and mercury, and 0.01% for cadmium, or qualify for an exemption to these limits as defined in the Annexes of Directive 2000/53/EC (ELV). Regarding the REACH Regulation, the information TE provides on SVHC in articles for this part number is based on the latest European Chemicals Agency (ECHA) 'Guidance on requirements for substances in articles' posted at this URL: <https://echa.europa.eu/guidance-documents/guidance-on-reach>

Compatible Parts



TE Part # 3-2176315-2
MELF SMA_A 39K 0.1% 15PPM 0204 0.4W



TE Part # 9-2176315-8
MELF SMA-A 1M0 1% 50PPM 0204 0.4W



TE Part # 2176316-5
MELF SMA_A 220R 0.1% 15PPM 0207 1W



TE Part # 6-2176314-9
MELF SMA-A 10R 1% 50PPM 0102 0.3W



TE Part # 9-2176316-4
MELF SMA-A 330K 1% 50PPM 0207 1W

Also in the Series | Neohm SMA-A

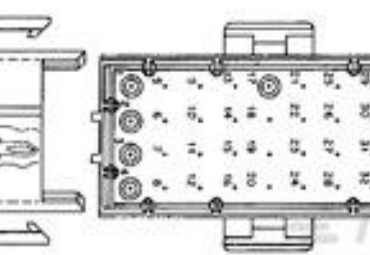


Surface Mount Resistors(270)

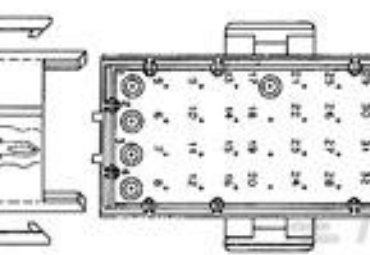
Customers Also Bought



TE Part #8-215464-4
14P.MICRO-MATCH MOB



TE Part #640501-1
09P MR HDR ASSY V0



TE Part #640498-1
03P MR HDR ASSY V0



TE Part #6-2176314-2
MELF SMA_A 18K 1% 50PPM 0102 0.3W



TE Part #5-2176314-9
MELF SMA_A 10K 1% 50PPM 0102 0.3W



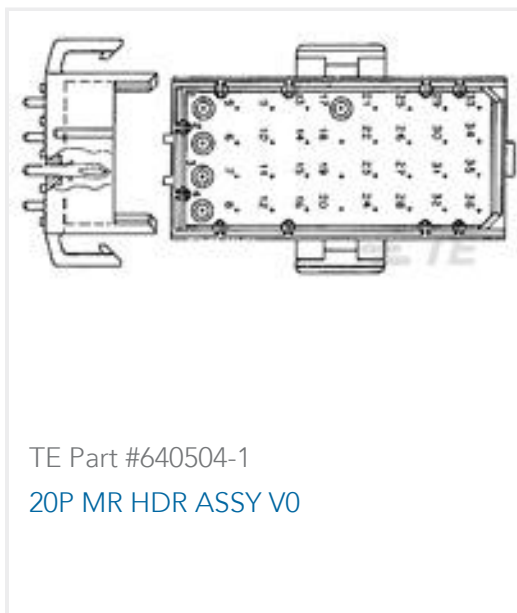
TE Part #3-2176314-7
MELF SMA_A 150R 1% 50PPM 0102 0.3W



TE Part #292206-6
MINI CT SGL DIP H 6P NAT



TE Part #4-2176314-1
MELF SMA_A 330R 1% 50PPM 0102 0.3W



Documents

Product Drawings

[MELF SMA_A 220R 0.1% 15PPM 0102 0.3W](#)

English

CAD Files

[3D PDF](#)

3D

Customer View Model

[ENG_CVM_CVM_2176314-5_BA.2d_dxf.zip](#)

English

Customer View Model

[ENG_CVM_CVM_2176314-5_BA.3d_igs.zip](#)

English

Customer View Model

[ENG_CVM_CVM_2176314-5_BA.3d_stp.zip](#)

English

By downloading the CAD file I accept and agree to the [Terms and Conditions](#) of use.

Datasheets & Catalog Pages

[SMA-A-1017](#)

English