

# EP1WS100RJ ✓ ACTIVE

Neohm | Neohm EP

TE Internal #: 2176081-7

100 ohm, Through-Hole Power Resistor, Ceramic Composition / Wire Wound, 1 W, 5 %, ±300 ppm/°C, Axial-Leaded, Copper Termination, 10 x 3.5 mm, Neohm EP

[View on TE.com >](#)



Passive Components > Resistors > Through-Hole Resistors



Resistance Value: **100 Ω**

Resistor Type: **Power Resistor**

Element Type: **Wire Wound, Ceramic Composition**

Power Rating: **1 W**

Resistance Class: **Up to 1kΩ**

## Features

### Usage Conditions

Operating Temperature Range	-55 – 155 °C
Temperature Coefficient	±300 ppm/°C

### Electrical Characteristics

Operating Voltage	500 V
Resistance Value	100 Ω
Power Rating	1 W
Resistance Class	Up to 1kΩ
Passive Component Tolerance	5 %

### Product Type Features

Resistor Type	Power Resistor
Element Type	Wire Wound, Ceramic Composition

### Configuration Features

Number of Resistors	1
---------------------	---

### Body Features

Lead Type	Axial-Leaded
-----------	--------------

### Termination Features

Termination Area Base Material	Copper
Number of Terminations	2

### Dimensions

Passive Component Dimensions	10 x 3.5 mm
------------------------------	-------------

### Packaging Features

Packaging Method	Ammo Packed
------------------	-------------

### Other

EU RoHS Compliance	Compliant
EU ELV Compliance	Compliant

### Product Compliance

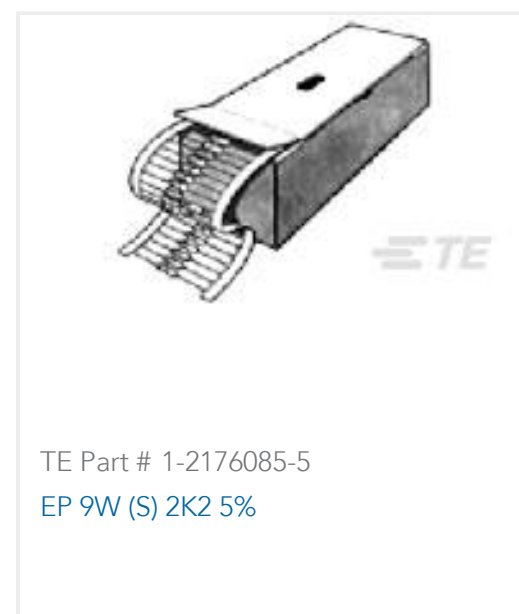
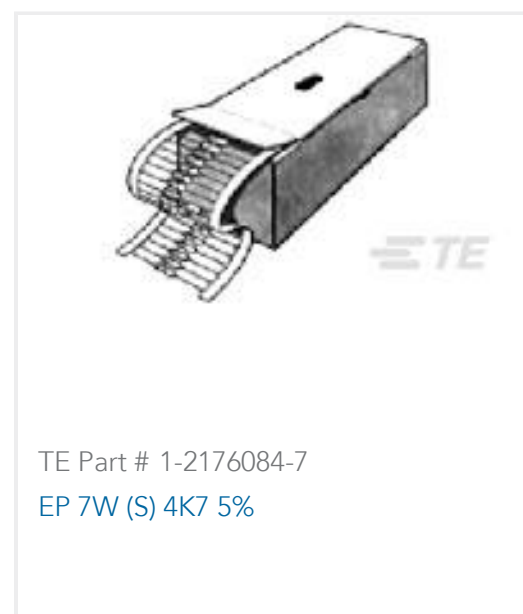
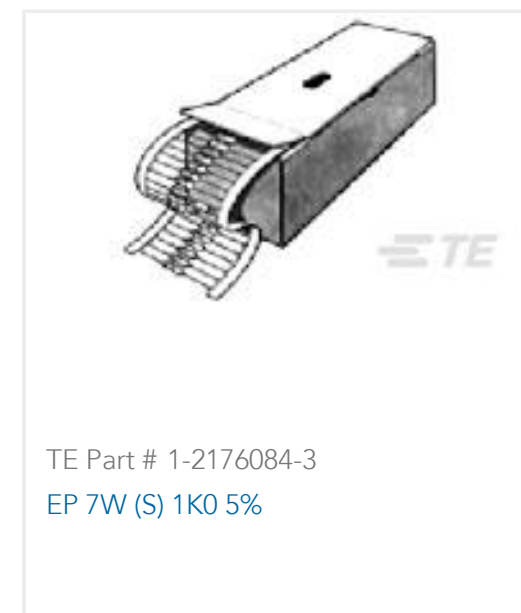
[For compliance documentation, visit the product page on TE.com>](#)

EU RoHS Directive 2011/65/EU	Compliant
EU ELV Directive 2000/53/EC	Compliant
China RoHS 2 Directive MIIT Order No 32, 2016	No Restricted Materials Above Threshold
EU REACH Regulation (EC) No. 1907/2006	Current ECHA Candidate List: JUNE 2024 (241) Candidate List Declared Against: JUNE 2024 (241) Does not contain REACH SVHC
Halogen Content	Low Halogen - Br, Cl, F, I < 900 ppm per homogenous material. Also BFR/CFR/PVC Free
Solder Process Capability	Not reviewed for solder process capability

#### Product Compliance Disclaimer

This information is provided based on reasonable inquiry of our suppliers and represents our current actual knowledge based on the information they provided. This information is subject to change. The part numbers that TE has identified as EU RoHS compliant have a maximum concentration of 0.1% by weight in homogenous materials for lead, hexavalent chromium, mercury, PBB, PBDE, DBP, BBP, DEHP, DIBP, and 0.01% for cadmium, or qualify for an exemption to these limits as defined in the Annexes of Directive 2011/65/EU (RoHS2). Finished electrical and electronic equipment products will be CE marked as required by Directive 2011/65/EU. Components may not be CE marked. Additionally, the part numbers that TE has identified as EU ELV compliant have a maximum concentration of 0.1% by weight in homogenous materials for lead, hexavalent chromium, and mercury, and 0.01% for cadmium, or qualify for an exemption to these limits as defined in the Annexes of Directive 2000/53/EC (ELV). Regarding the REACH Regulation, the information TE provides on SVHC in articles for this part number is based on the latest European Chemicals Agency (ECHA) 'Guidance on requirements for substances in articles' posted at this URL: <https://echa.europa.eu/guidance-documents/guidance-on-reach>

### Compatible Parts



Also in the Series | **Neohm EP**



Through-Hole Resistors(607)

## Customers Also Bought



TE Part #1-1622825-4  
RL73K 3A R18 5% 1K Reel



TE Part #ZPF000000000201420  
732-8260-99



TE Part #1513164-1  
MOLDED STAMPED ANTENNA



TE Part #8-1393224-2  
RY531024



TE Part #9-2176366-0  
RQ 0603 3K65 0.1% 10PPM 1K RL



TE Part #1-2176081-1  
EP 1W (S) 470R 5%



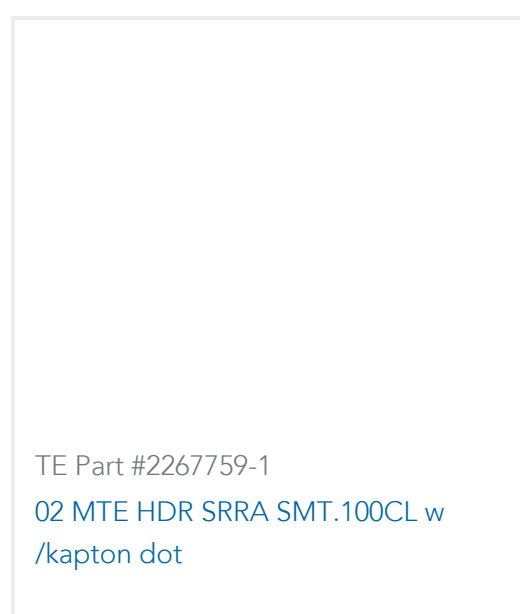
TE Part #2176082-1  
EP 3W (S) 10R 5%



TE Part #5-1879808-1  
RP 1J 0.1W 392K 0.1% 15PPM 1K RL



TE Part #5788336-1  
STD USB TYPE B, VERTICAL, T/H



TE Part #2267759-1  
02 MTE HDR SRRA SMT.100CL w /kapton dot

## Documents

### Product Drawings

[EP 1W \(S\) 100R 5%](#)

English

### CAD Files

[3D PDF](#)

3D

### Customer View Model

[ENG\\_CVM\\_CVM\\_2176081-7\\_BA.2d\\_dxf.zip](#)



English

**Customer View Model**

[ENG\\_CVM\\_CVM\\_2176081-7\\_BA.3d\\_igs.zip](#)

English

**Customer View Model**

[ENG\\_CVM\\_CVM\\_2176081-7\\_BA.3d\\_stp.zip](#)

English

By downloading the CAD file I accept and agree to the [Terms and Conditions](#) of use.

## Datasheets & Catalog Pages

[Wirewound Anti Surge Resistors - Type EP Series](#)

English