

2170872-1 ✓ ACTIVE

Z-PACK | Z-PACK 2mm HM

TE Internal #: 2170872-1

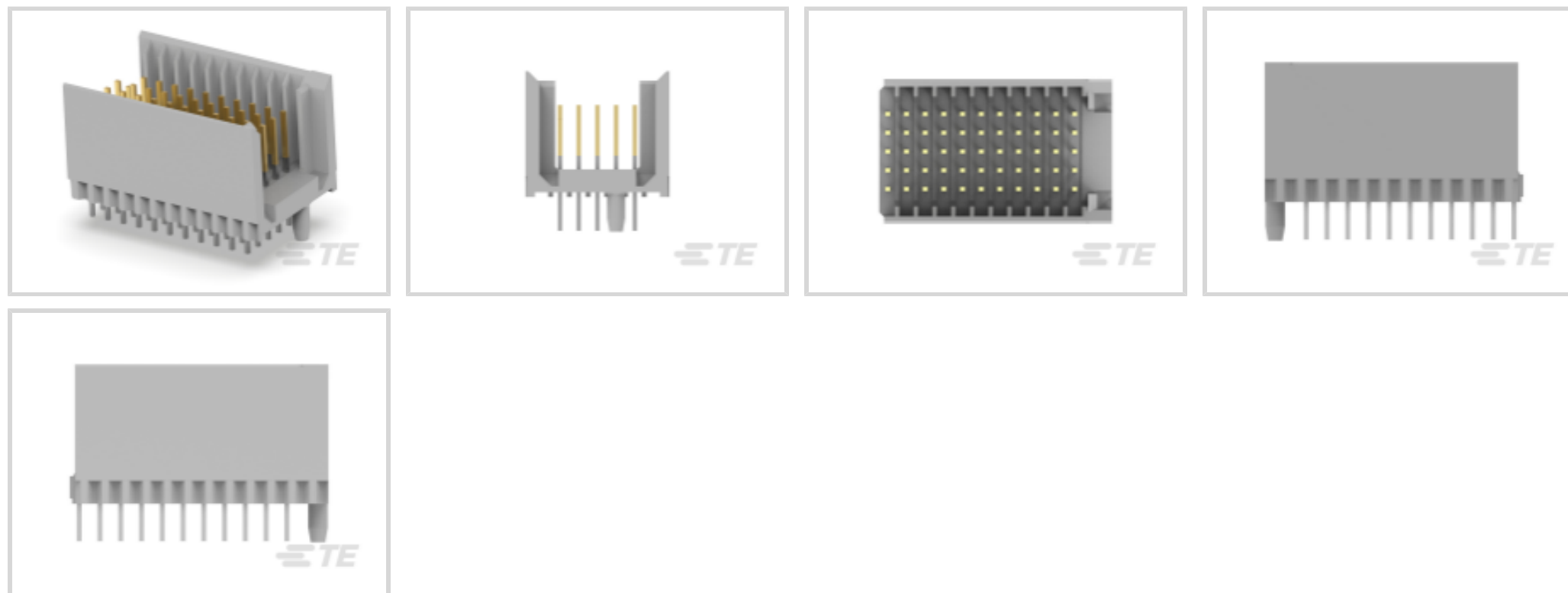
Hard Metric Backplane PCB Mount Header, 1 Gb/s, 11 Column, 5 Row, 55 Position, 2 mm Centerline, Vertical, Gray, Tube, Gold, Z-PACK 2mm HM

[View on TE.com >](#)



[Connectors >](#) [PCB Connectors >](#) [Backplane Connectors >](#) [Hard Metric Backplane Connectors >](#)

Hard Metric Male Connector: Traditional Backplane, Mezzanine, 2mm



PCB Connector Assembly Type: **PCB Mount Header**

Data Rate: **1 Gb/s**

Number of Columns: **11**

Number of Rows: **5**

Number of Positions: **55**

[All Hard Metric Male Connector: Traditional Backplane, Mezzanine, 2mm \(124\)](#)

Features

Mechanical Attachment

Connector Mounting Type	Board Mount
-------------------------	-------------

Contact Features

CompactPCI Designation	None
Contact Mating Area Plating Material	Gold
Contact Current Rating (Max)	1.5 A

Product Type Features

Connector & Contact Terminates To	Printed Circuit Board
Connector System	Board-to-Board
PCB Connector Assembly Type	PCB Mount Header
Sealable	No

Signal Characteristics

--	--



Data Rate	1 Gb/s
-----------	--------

Configuration Features

Number of Columns	11
Number of Rows	5
Number of Positions	55
PCB Mount Orientation	Vertical

Body Features

Primary Product Color	Gray
-----------------------	------

Housing Features

Centerline (Pitch)	2 mm
--------------------	------

Usage Conditions

Operating Temperature Range	-55 – 125 °C[-67 – 257 °F]
-----------------------------	----------------------------

Operation/Application

Circuit Application	Power & Signal
---------------------	----------------

Packaging Features

Packaging Method	Tube
------------------	------

Other

EU RoHS Compliance	Compliant
EU ELV Compliance	Compliant

Product Compliance

[For compliance documentation, visit the product page on TE.com>](#)

EU RoHS Directive 2011/65/EU	Compliant
EU ELV Directive 2000/53/EC	Compliant
China RoHS 2 Directive MIIT Order No 32, 2016	No Restricted Materials Above Threshold
EU REACH Regulation (EC) No. 1907/2006	Current ECHA Candidate List: JUNE 2024 (241) Candidate List Declared Against: JUNE 2024 (241) Does not contain REACH SVHC
Halogen Content	Not Low Halogen - contains Br or Cl > 900 ppm.
Solder Process Capability	Not reviewed for solder process capability

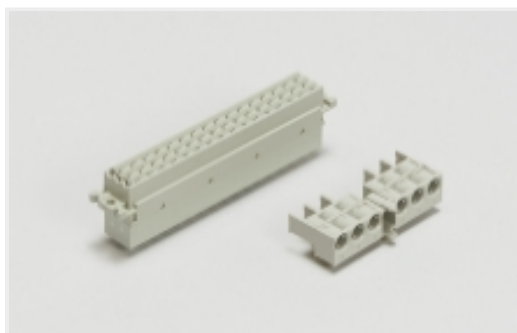
Product Compliance Disclaimer

This information is provided based on reasonable inquiry of our suppliers and represents our current actual knowledge based on the information they provided. This information is subject to change. The part numbers that TE has identified as EU RoHS compliant have a maximum concentration of 0.1% by weight in homogenous materials for lead, hexavalent chromium, mercury, PBB, PBDE, DBP, BBP, DEHP, DIBP, and 0.01% for cadmium, or qualify for an exemption to these limits as defined in the Annexes of Directive 2011/65/EU (RoHS2). Finished electrical and electronic equipment products will be CE marked as required by Directive 2011/65/EU. Components may not be CE marked. Additionally, the part numbers that TE has identified as EU ELV compliant have a maximum concentration of 0.1% by weight in homogenous materials for lead, hexavalent chromium, and mercury, and 0.01% for cadmium, or qualify for an exemption to these limits as defined in the Annexes of Directive 2000/53/EC (ELV). Regarding the REACH Regulation, the information TE provides on SVHC in articles for this part number is based on the latest European Chemicals Agency (ECHA) 'Guidance on requirements for substances in articles' posted at this URL: <https://echa.europa.eu/guidance-documents/guidance-on-reach>

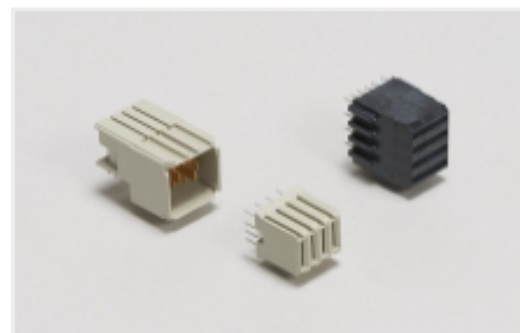
Compatible Parts



Also in the Series | Z-PACK 2mm HM



Backplane Connector Housings(4)



Backplane Power Connectors(1)



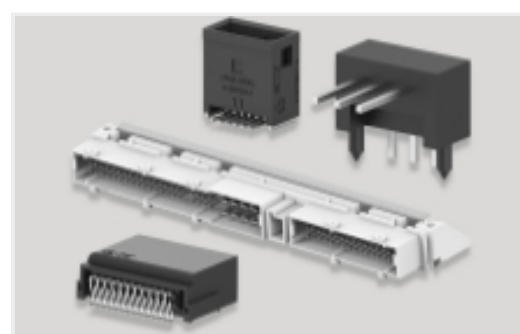
Connector Caps & Covers(62)



Connector Contacts(2)



Insertion & Extraction Tools(2)

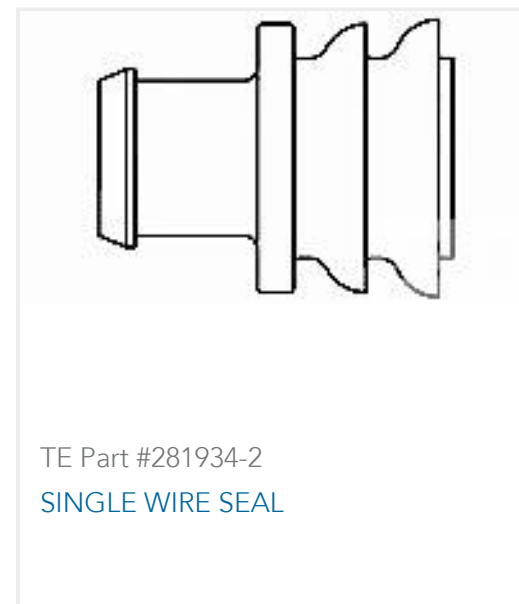
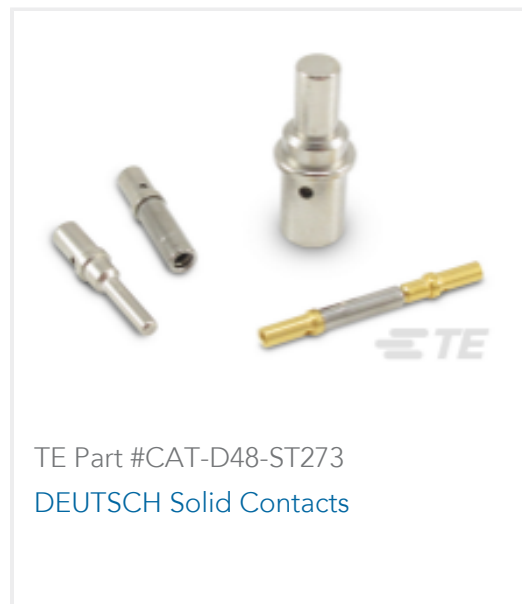


PCB Headers & Receptacles(46)



Power Contacts(2)

Customers Also Bought



Documents

Product Drawings

Z-PACK TYPE/C MALE HDR 55P

English

CAD Files

3D PDF

3D

Customer View Model

[ENG_CVM_CVM_2170872-1_A.2d_dxf.zip](#)

English

Customer View Model

[ENG_CVM_CVM_2170872-1_A.3d_igs.zip](#)

English

Customer View Model

[ENG_CVM_CVM_2170872-1_A.3d_stp.zip](#)

English

By downloading the CAD file I accept and agree to the [Terms and Conditions](#) of use.

Product Specifications

Product Specification

English