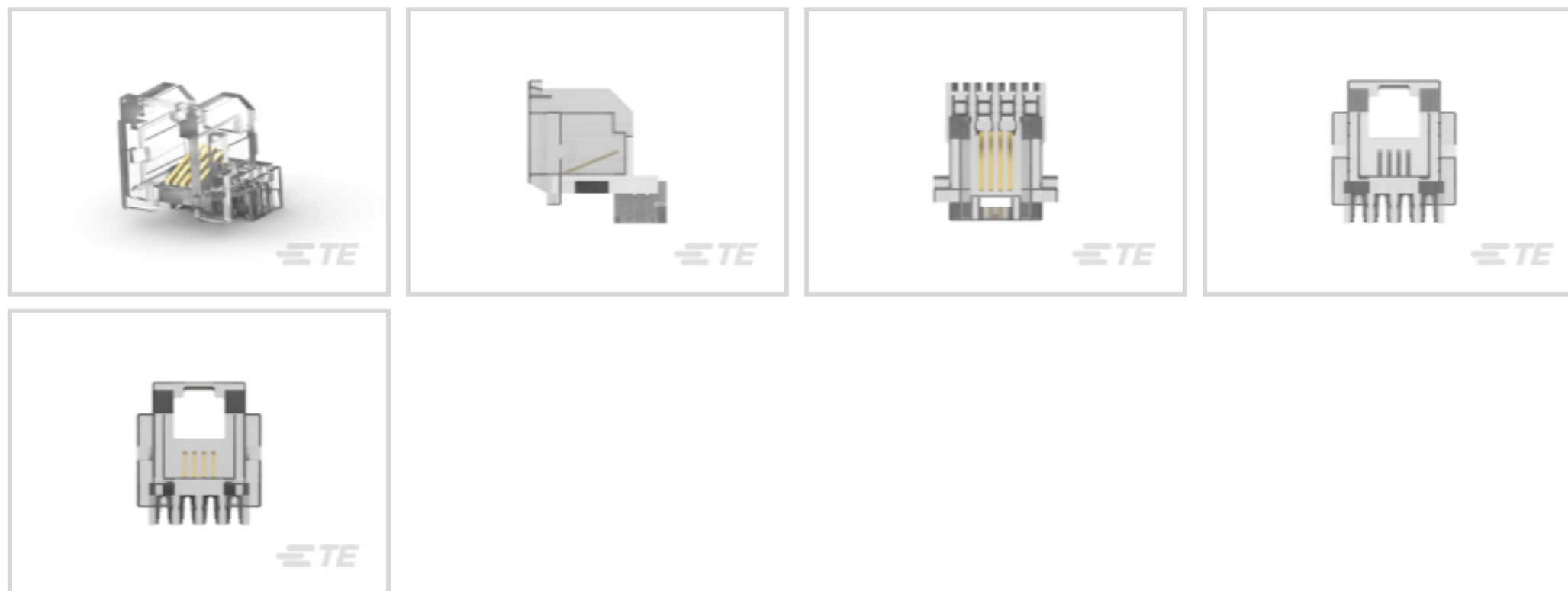


Connectors > Modular Jacks & Plugs > RJ11 Connectors

Port Configuration: **Single Port**Port Matrix Configuration: **1 x 1**Connector Profile: **Standard**Modular Jacks & Plugs Products: **RJ Type Jacks & Plugs**Connector Contact Density: **Standard**

Features

Mechanical Attachment

Connector Mounting Type	Board Mount
-------------------------	-------------

Termination Features

Termination Method to Wire & Cable	Insulation Displacement (IDC)
------------------------------------	-------------------------------

Contact Features

Contact Underplating Material	Nickel
Contact Base Material	Phosphor Bronze
Contact Mating Area Plating Material	Gold Flash over Palladium Nickel
	.8 μ m
PCB Contact Termination Area Plating Material	Tin
Contact Current Rating (Max)	1.5 A

Housing Features

Centerline (Pitch)	1.02 mm[.04 in]
Mating Entry Location	Side
Housing Color	Clear
Housing Material	ABS

Operation/Application

Circuit Application	Signal
Shielded	No

Product Type Features

Wire Termination Style	110 Style Punch-Down
Connector Product Type	Connector Assembly
Connector System	Cable-to-Board, Cable-to-Panel
Modular Jacks & Plugs Products	RJ Type Jacks & Plugs
Modular Connector Style	Jack

Configuration Features

PCB Mount Orientation	Right Angle
Wiring Pattern	One-to-One, USOC
Port Configuration	Single Port
Port Matrix Configuration	1 x 1
Connector Contact Density	Standard
Number of Positions	4
Number of Loaded Positions	4

Body Features

Connector Profile	Standard
Modular Jack Latch Orientation	Standard - Latch Down

Industry Standards

Performance Category	Cat 3
----------------------	-------

Packaging Features

Packaging Method	Box & Carton
Packaging Quantity	3000

Other

EU RoHS Compliance	Compliant
EU ELV Compliance	Compliant

Product Compliance

[For compliance documentation, visit the product page on TE.com>](#)

EU RoHS Directive 2011/65/EU	Compliant
------------------------------	-----------

EU ELV Directive 2000/53/EC

Compliant

China RoHS 2 Directive MIIT Order No 32, 2016

No Restricted Materials Above Threshold

EU REACH Regulation (EC) No. 1907/2006

Current ECHA Candidate List: JUNE 2024 (241)

Candidate List Declared Against: JAN 2021 (211)

Does not contain REACH SVHC

Halogen Content

Low Halogen - Br, Cl, F, I < 900 ppm per homogenous material. Also BFR/CFR/PVC Free

Solder Process Capability

Not applicable for solder process capability

Product Compliance Disclaimer

This information is provided based on reasonable inquiry of our suppliers and represents our current actual knowledge based on the information they provided. This information is subject to change. The part numbers that TE has identified as EU RoHS compliant have a maximum concentration of 0.1% by weight in homogenous materials for lead, hexavalent chromium, mercury, PBB, PBDE, DBP, BBP, DEHP, DIBP, and 0.01% for cadmium, or qualify for an exemption to these limits as defined in the Annexes of Directive 2011/65/EU (RoHS2). Finished electrical and electronic equipment products will be CE marked as required by Directive 2011/65/EU. Components may not be CE marked. Additionally, the part numbers that TE has identified as EU ELV compliant have a maximum concentration of 0.1% by weight in homogenous materials for lead, hexavalent chromium, and mercury, and 0.01% for cadmium, or qualify for an exemption to these limits as defined in the Annexes of Directive 2000/53/EC (ELV). Regarding the REACH Regulation, the information TE provides on SVHC in articles for this part number is based on the latest European Chemicals Agency (ECHA) 'Guidance on requirements for substances in articles' posted at this URL: <https://echa.europa.eu/guidance-documents/guidance-on-reach>

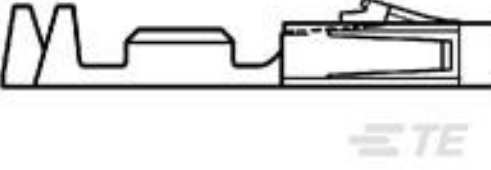
Customers Also Bought



TE Part #350766-1
03P UMNL PLUG HSG



TE Part #T4061210003-001
M8 CABLE RA M 0.5M 3POS PVC CABLE



TE Part #1-104480-2
SHORT POINT CONT 15 DPLX STMPD LF



TE Part #2-1614958-6
CPF 0805 1R78 0.1% 25ppm 1K RL



TE Part #2-1614958-5
CPF 0805 1R74 0.1% 25ppm 1K RL



TE Part #350705-1
UMNL SPLIT PIN 20-14 PTPBR L/P



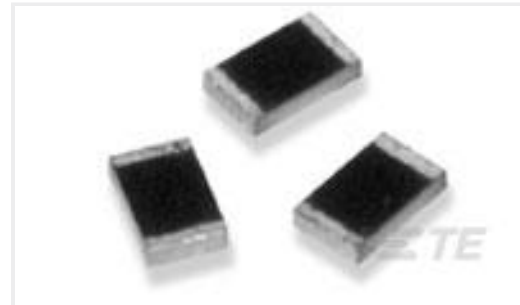
TE Part #2-1614958-7
CPF 0805 1R82 0.1% 25ppm 1K RL



TE Part #1462038-3
IM05CGR=IM RELAY 140mW 9V HDV



TE Part #3-5177986-4
0.8FH,P08H.5,100,08/Sn,TR,SC



TE Part #5-1879255-6
RP 2B 78R7 0.1% 15PPM 1K RL

Documents

Product Drawings

[4P/4C.MOD.JACK ASSY](#)

English

CAD Files

[3D PDF](#)

3D

Customer View Model

[ENG_CVM_CVM_216780-2_G.2d_dxf.zip](#)

English

Customer View Model

[ENG_CVM_CVM_216780-2_G.3d_igs.zip](#)

English

Customer View Model

[ENG_CVM_CVM_216780-2_G.3d_stp.zip](#)

English

By downloading the CAD file I accept and agree to the [Terms and Conditions](#) of use.