



Connectors > Modular Jacks & Plugs > RJ45 Connectors



Modular Jack & Plug Interface Type: **RJ45**

Port Configuration: **Single Port**

Port Matrix Configuration: **1 x 1**

Modular Jacks & Plugs Products: **RJ Type Jacks & Plugs**

Connector Contact Density: **Standard**

## Features

### Packaging Features

Packaging Quantity	600
Packaging Method	Tray

### Dimensions

PCB Thickness (Recommended)	1.6 mm[.063 in]
Connector Height	16.4 mm[.646 in]

### Mechanical Attachment

Panel Mount Feature	With
Panel Mount Feature Type	Panel Stops
Connector Mounting Type	Board Mount

### Contact Features

Contact Underplating Material	Nickel
PCB Contact Termination Area Plating Material	Tin-Lead
Contact Current Rating (Max)	1.5 A
Contact Mating Area Plating Material	Gold Flash over Palladium Nickel
Contact Base Material	Phosphor Bronze
Contact Mating Area Plating Material Thickness	1.2 $\mu\text{m}$ [47.24 $\mu\text{in}$ ]

### Industry Standards

UL Flammability Rating	UL 94V-0
Performance Category	Cat 3

### Operation/Application

Indicator Type	No Indicator
Shielded	No
Circuit Application	Signal

### Product Type Features

Connector Product Type	Connector Assembly
Modular Jack & Plug Interface Type	RJ45
Modular Jacks & Plugs Products	RJ Type Jacks & Plugs
Modular Connector Style	Jack
Grounding Options	None
Connector & Contact Terminates To	Printed Circuit Board

### Configuration Features

Port Configuration	Single Port
Port Matrix Configuration	1 x 1
Connector Contact Density	Standard
Number of Positions	8
Number of Loaded Positions	8
PCB Mount Orientation	Vertical

### Body Features

Modular Jack Latch Orientation	Standard - Latch Down
Connector Profile	Standard

### Termination Features

Termination Method to PCB	Through Hole - Solder
Termination Post & Tail Length	3.1 mm[.122 in]

### Housing Features

Mating Entry Location	Top
Centerline (Pitch)	1.02 mm[.04 in]
Housing Color	Black
Housing Material	PBT

### Usage Conditions

Operating Temperature Range	-40 – 70 °C[-40 – 158 °F]
-----------------------------	---------------------------

### Other



EU RoHS Compliance	Compliant
EU ELV Compliance	Compliant

### Product Compliance

[For compliance documentation, visit the product page on TE.com>](#)

EU RoHS Directive 2011/65/EU	Compliant
EU ELV Directive 2000/53/EC	Compliant
China RoHS 2 Directive MIIT Order No 32, 2016	No Restricted Materials Above Threshold
EU REACH Regulation (EC) No. 1907/2006	Current ECHA Candidate List: JUNE 2024 (241) Candidate List Declared Against: JUNE 2024 (241) Does not contain REACH SVHC
Halogen Content	Not Low Halogen - contains Br or Cl > 900 ppm.
Solder Process Capability	Wave solder capable to 265°C

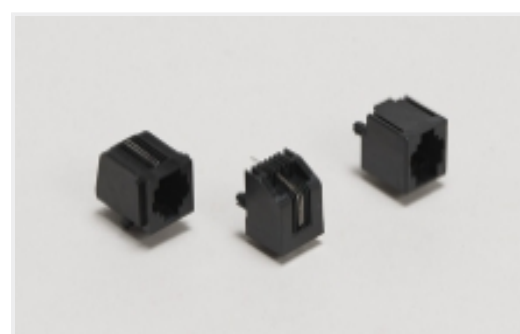
#### Product Compliance Disclaimer

This information is provided based on reasonable inquiry of our suppliers and represents our current actual knowledge based on the information they provided. This information is subject to change. The part numbers that TE has identified as EU RoHS compliant have a maximum concentration of 0.1% by weight in homogenous materials for lead, hexavalent chromium, mercury, PBB, PBDE, DBP, BBP, DEHP, DIBP, and 0.01% for cadmium, or qualify for an exemption to these limits as defined in the Annexes of Directive 2011/65/EU (RoHS2). Finished electrical and electronic equipment products will be CE marked as required by Directive 2011/65/EU. Components may not be CE marked. Additionally, the part numbers that TE has identified as EU ELV compliant have a maximum concentration of 0.1% by weight in homogenous materials for lead, hexavalent chromium, and mercury, and 0.01% for cadmium, or qualify for an exemption to these limits as defined in the Annexes of Directive 2000/53/EC (ELV). Regarding the REACH Regulation, the information TE provides on SVHC in articles for this part number is based on the latest European Chemicals Agency (ECHA) 'Guidance on requirements for substances in articles' posted at this URL: <https://echa.europa.eu/guidance-documents/guidance-on-reach>

### Also in the Series | CGS TE



Chassis Mount Resistors(667)



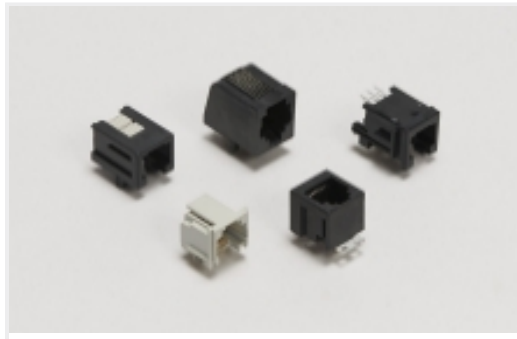
RJ11 Connectors(1)



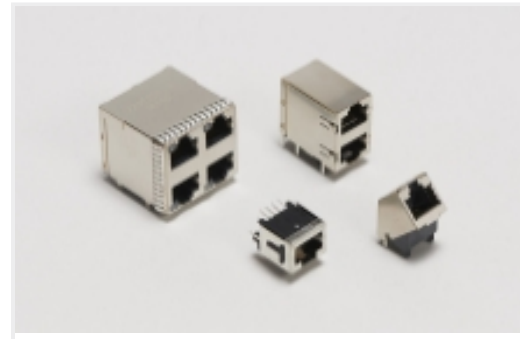
RJ14 Connectors(4)



RJ22 Connectors(3)



RJ25 Connectors(4)

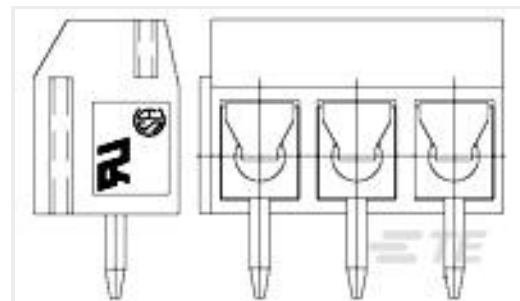


RJ45 Connectors(27)

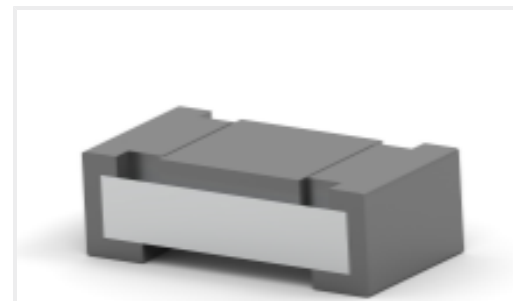
## Customers Also Bought



TE Part #8-146280-6  
36 MODII HDR SRST B/A .100CL



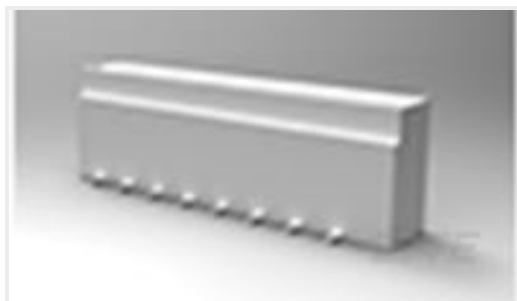
TE Part #1776266-2  
2P TB ,90deg, VT, 5mm,Green,w /interlock



TE Part #CAT-C339-R529A  
Thick Film Resistor: Current Sense



TE Part #2-2176052-8  
RLP73K 1J R68 5% 5K RL



TE Part #2-84982-8  
1MM FFC SMT V ASSY 28P EMBOSS



TE Part #1-5353183-0  
.6FHP04H,140,S,STD,08/Sn,TR,NSYes



TE Part #1-1747981-2  
Std HDMI, RA, SMT, Panel grd, Flange



TE Part #5-102589-8  
12 MODII 2PC HDR DRRR SHRD, ROHS



TE Part #3-1971798-1  
NEW GI CONN2.5 HDR ASMBLY 3P NC D1.0

## Documents

### Product Drawings

[8/8 PCB MOD.JACK TE](#)

English

### CAD Files

[3D PDF](#)

3D

[Customer View Model](#)

[ENG\\_CVM\\_CVM\\_216566-2\\_K.2d\\_dxf.zip](#)



English

Customer View Model

[ENG\\_CVM\\_CVM\\_216566-2\\_K.3d\\_igs.zip](#)

English

Customer View Model

[ENG\\_CVM\\_CVM\\_216566-2\\_K.3d\\_stp.zip](#)

English

By downloading the CAD file I accept and agree to the [Terms and Conditions](#) of use.