



Wire & Cable > Hook Up Wire > General Purpose Hookup Wire: Tin Coated Copper Wire, 18 AWG



Cable Type: **Spec 55**

Operating Voltage: **600 V**

Wire & Cable Insulation Material: **Modified Radiation Cross-linked ETFE Polymer**

Conductor Material: **Tin-Coated Copper**

Wire Size: **18 AWG**

[All General Purpose Hookup Wire: Tin Coated Copper Wire, 18 AWG \(22\)](#)

Features

Product Type Features

Cable Style	Primary
-------------	---------

Configuration Features

Number of Strands	19
Number of Conductors	1

Electrical Characteristics

Operating Voltage	600 V
-------------------	-------

Body Features

Wire & Cable Insulation Material	Modified Radiation Cross-linked ETFE Polymer
Conductor Material	Tin-Coated Copper
Wire Color (Base)	Green

Dimensions

Strand Size	.005 in
Strand Size	30 AWG
Outside Cable Diameter	1.52 mm[.062 in]
Conductor Diameter Range	1.27 mm[.05 in]



Wire Size	18 AWG
-----------	--------

Usage Conditions

Cable Type	Spec 55
Operating Temperature Range	-65 – 150 °C[-85 – 302 °F]

Other

Product Source	US
----------------	----

Product Compliance

[For compliance documentation, visit the product page on TE.com>](#)

EU RoHS Directive 2011/65/EU	Compliant
EU ELV Directive 2000/53/EC	Compliant
China RoHS 2 Directive MIIT Order No 32, 2016	有害物质含量符合标准要求 No Restricted Substance(s) Above Threshold
EU REACH Regulation (EC) No. 1907/2006	Current ECHA Candidate List: JUNE 2025 (250) Candidate List Declared Against: JUNE 2025 (250) Does not contain REACH SVHC
Halogen Content	Out of Scope - excluded from Halogen requirements
Solder Process Capability	Not applicable for solder process capability

Product Compliance Disclaimer

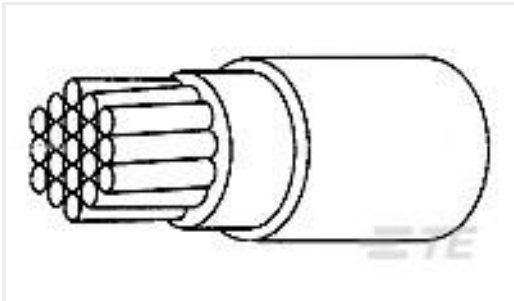
This information is provided based on reasonable inquiry of our suppliers and represents our current actual knowledge based on the information they provided. This information is subject to change. The part numbers that TE has identified as EU RoHS compliant have a maximum concentration of 0.1% by weight in homogenous materials for lead, hexavalent chromium, mercury, PBB, PBDE, DBP, BBP, DEHP, DIBP, and 0.01% for cadmium, or qualify for an exemption to these limits as defined in the Annexes of Directive 2011/65/EU (RoHS2). Finished electrical and electronic equipment products will be CE marked as required by Directive 2011/65/EU. Components may not be CE marked. Additionally, the part numbers that TE has identified as EU ELV compliant have a maximum concentration of 0.1% by weight in homogenous materials for lead, hexavalent chromium, and mercury, and 0.01% for cadmium, or qualify for an exemption to these limits as defined in the Annexes of Directive 2000/53/EC (ELV). Regarding the REACH Regulation, the information TE provides on SVHC in articles for this part number is based on the latest European Chemicals Agency (ECHA) 'Guidance on requirements for substances in articles' posted at this URL: <https://echa.europa.eu/guidance-documents/guidance-on-reach>

Compatible Parts

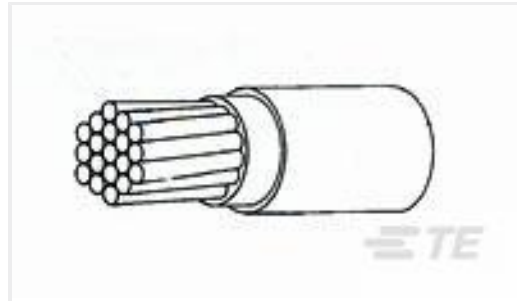


TE Part # 650075-000
D-436-37

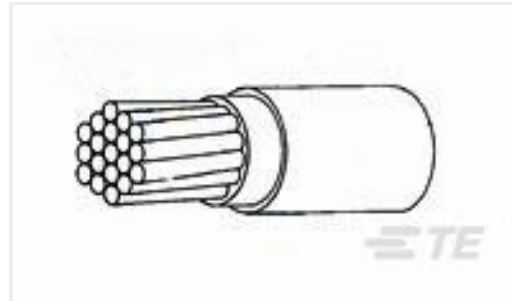
Customers Also Bought



TE Part #5956233001
100G0111-0.60-9



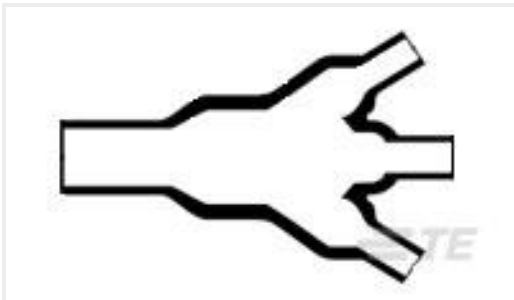
TE Part #2820893008
44A0111-28-9



TE Part #2857523006
44A0111-26-2



TE Part #601934-000
ST63-3-55-22-90



TE Part #820056-000
462A023-25-0



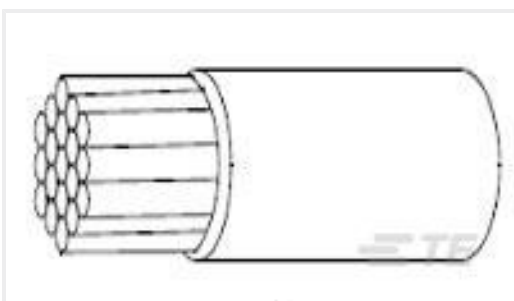
TE Part #5-1437665-5
JC6-Q307-06=JC6 ASSEMBLY



TE Part #1658673-1
HDP-22,PLUG,SIZE 4,62 POSN



TE Part #1658684-1
HDP-22,RCPT,SIZE 4,62 POSN



TE Part #8508903001
55A0111-22-9CK0001



TE Part #CD83083001
55A1121-24-0/9-9CK0001

Documents

Product Drawings

[55A0111-18-5](#)

English

Datasheets & Catalog Pages

[Raychem Wire and Cable Quick Reference Guide](#)

English