

2143331-1 ✓ ACTIVE

QSFP/QSFP+

TE Internal #: 2143331-1

QSFP+, Cage Assembly, Signal, Operating Temperature Range -55 – 105 °C [-67 – 221 °F], Data Rate (Max) 14 Gb/s, 6 Ports

[View on TE.com >](#)



Connectors > Pluggable IO Connectors & Cages



Form Factor: **QSFP+**

Pluggable I/O Product Type: **Cage Assembly**

Sealable: **No**

Circuit Application: **Signal**

Operating Temperature Range: **-55 – 105 °C [-67 – 221 °F]**

## Features

### Industry Standards

UL Flammability Rating	UL 94V-0
------------------------	----------

### Termination Features

Termination Method to PCB	Through Hole - Press-Fit
---------------------------	--------------------------

Termination Post & Tail Length	2.2 mm[.086 in]
--------------------------------	-----------------

### Dimensions

PCB Thickness (Recommended)	1.45 mm[.057 in]
-----------------------------	------------------

### Contact Features

PCB Contact Termination Area Plating Material	Tin
---	-----

### Housing Features

Cage Material	Nickel Silver
---------------	---------------

### Body Features

Heat Sink Style	Pin
-----------------	-----

Heat Sink Finish	Anodized Black
------------------	----------------

Heat Sink Height	4.2 mm[.165 in]
------------------	-----------------

Heat Sink Height Class	PCI
------------------------	-----

### Packaging Features

Packaging Method	Box & Tray
------------------	------------



### Configuration Features

Number of Rear EONs per Port Column	1
Number of Ports	6
Port Matrix Configuration	1 x 6

### Operation/Application

Pluggable I/O Applications	SFP+ Stacked Belly-to-Belly
Circuit Application	Signal

### Product Type Features

Cage Type	Ganged
Thermal Accessory Type Included	Heat Sink
Form Factor	QSFP+
Pluggable I/O Product Type	Cage Assembly
Sealable	No

### Electrical Characteristics

Data Rate (Max)	14 Gb/s
-----------------	---------

### Usage Conditions

Operating Temperature Range	-55 – 105 °C[-67 – 221 °F]
-----------------------------	----------------------------

### Other

Included Lightpipe	Yes
EMI Containment Feature Type	Customer Applied Gasket
EU RoHS Compliance	Compliant
EU ELV Compliance	Compliant

### Product Compliance

[For compliance documentation, visit the product page on TE.com>](#)

EU RoHS Directive 2011/65/EU	Compliant
EU ELV Directive 2000/53/EC	Compliant
China RoHS 2 Directive MIIT Order No 32, 2016	No Restricted Materials Above Threshold
EU REACH Regulation (EC) No. 1907/2006	Current ECHA Candidate List: JUNE 2024 (241) Candidate List Declared Against: JUNE 2024 (241) Does not contain REACH SVHC
Halogen Content	Not Low Halogen - contains Br or Cl > 900

ppm.

Solder Process Capability

Not applicable for solder process capability

Product Compliance Disclaimer

This information is provided based on reasonable inquiry of our suppliers and represents our current actual knowledge based on the information they provided. This information is subject to change. The part numbers that TE has identified as EU RoHS compliant have a maximum concentration of 0.1% by weight in homogenous materials for lead, hexavalent chromium, mercury, PBB, PBDE, DBP, BBP, DEHP, DIBP, and 0.01% for cadmium, or qualify for an exemption to these limits as defined in the Annexes of Directive 2011/65/EU (RoHS2). Finished electrical and electronic equipment products will be CE marked as required by Directive 2011/65/EU. Components may not be CE marked. Additionally, the part numbers that TE has identified as EU ELV compliant have a maximum concentration of 0.1% by weight in homogenous materials for lead, hexavalent chromium, and mercury, and 0.01% for cadmium, or qualify for an exemption to these limits as defined in the Annexes of Directive 2000/53/EC (ELV). Regarding the REACH Regulation, the information TE provides on SVHC in articles for this part number is based on the latest European Chemicals Agency (ECHA) 'Guidance on requirements for substances in articles' posted at this URL: <https://echa.europa.eu/guidance-documents/guidance-on-reach>

### Compatible Parts



TE Part # 2202165-5  
QSFP TO QSFP, 26AWG, FDR, 5.0 METER



TE Part # 2829040-8  
QSFP IB EDR, 26AWG, 3.0M



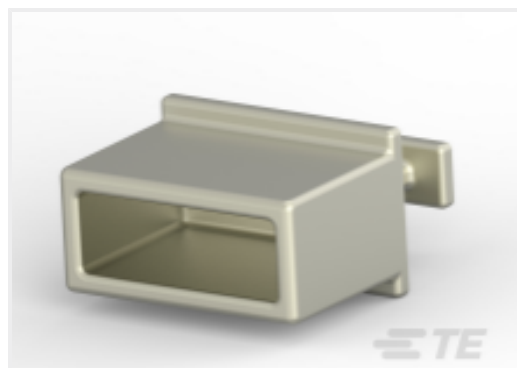
TE Part # 2202165-4  
QSFP TO QSFP, 26AWG, FDR, 4.0 METER



TE Part # 2829040-7  
QSFP IB EDR, 26AWG, 2.0M



TE Part # 2053453-5  
C/A, QSFP TO 4XSFP+, 4.0M



TE Part # 1888810-2  
EMI/Dust Cover, XFP And QSFP



TE Part # 2829040-6  
QSFP IB EDR, 30AWG, 2.0M



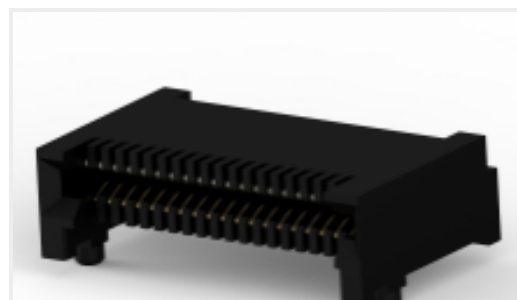
TE Part # CAT-C11-H50111  
QSFP-Four SFP+ I/O Cable Assembly 30 AWG



TE Part # 2829040-4  
QSFP IB EDR, 30AWG, 1.0M



TE Part # 2821033-8  
QSFP TO [4]SFP+, 28G, 1M, 33AWG



TE Part # 2110819-1  
QSFP+ Enh EVERCLEAR PT Conn



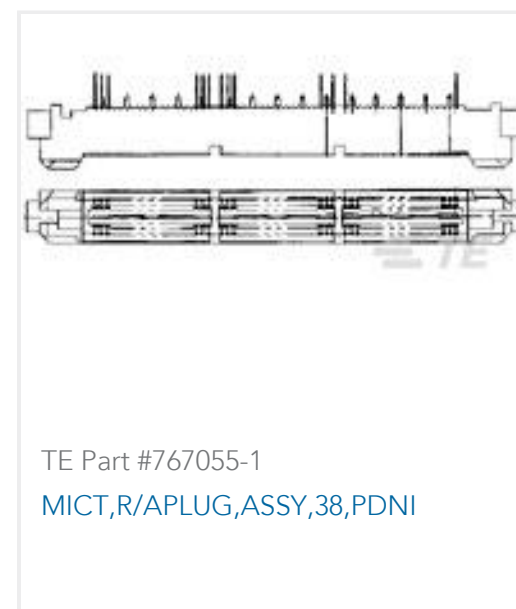
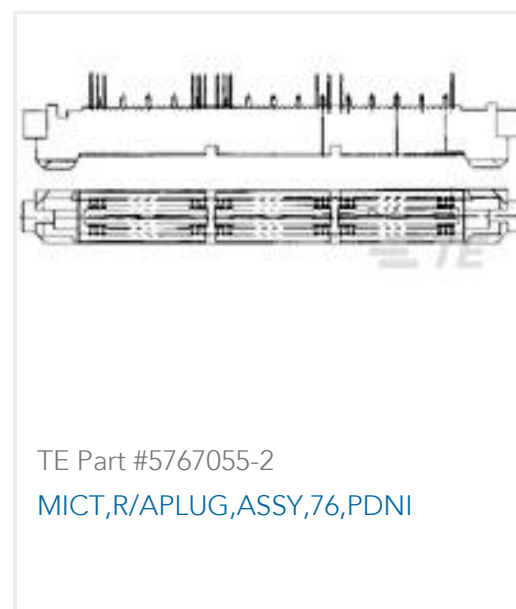
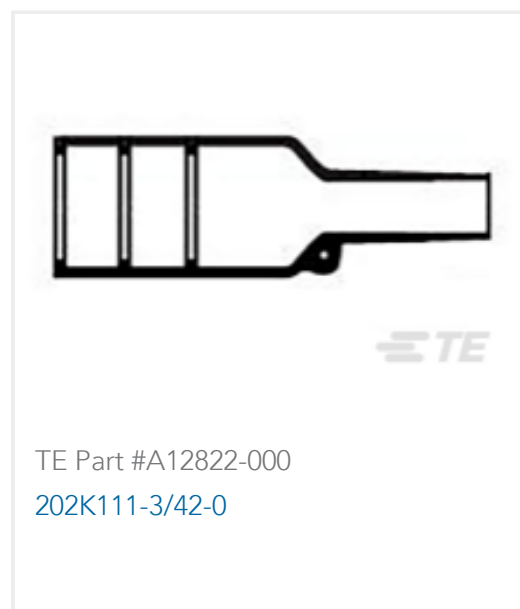
TE Part # 2829040-2  
QSFP IB EDR, 33AWG, 1.0M



Also in the Series | **QSFP/QSFP+**



Customers Also Bought





## Documents

### Product Drawings

[1x6 QSFP Kit Assy Sqr LP, PCI Htsnk](#)

English

---

### CAD Files

#### 3D PDF

3D

Customer View Model

[ENG\\_CVM\\_CVM\\_2143331-1\\_A.2d\\_dxf.zip](#)

English

Customer View Model

[ENG\\_CVM\\_CVM\\_2143331-1\\_A.3d\\_igs.zip](#)

English

Customer View Model

[ENG\\_CVM\\_CVM\\_2143331-1\\_A.3d\\_stp.zip](#)

English

By downloading the CAD file I accept and agree to the [Terms and Conditions](#) of use.

---

### Product Specifications

[Application Specification](#)

English