

2138420-1 ✓ ACTIVE

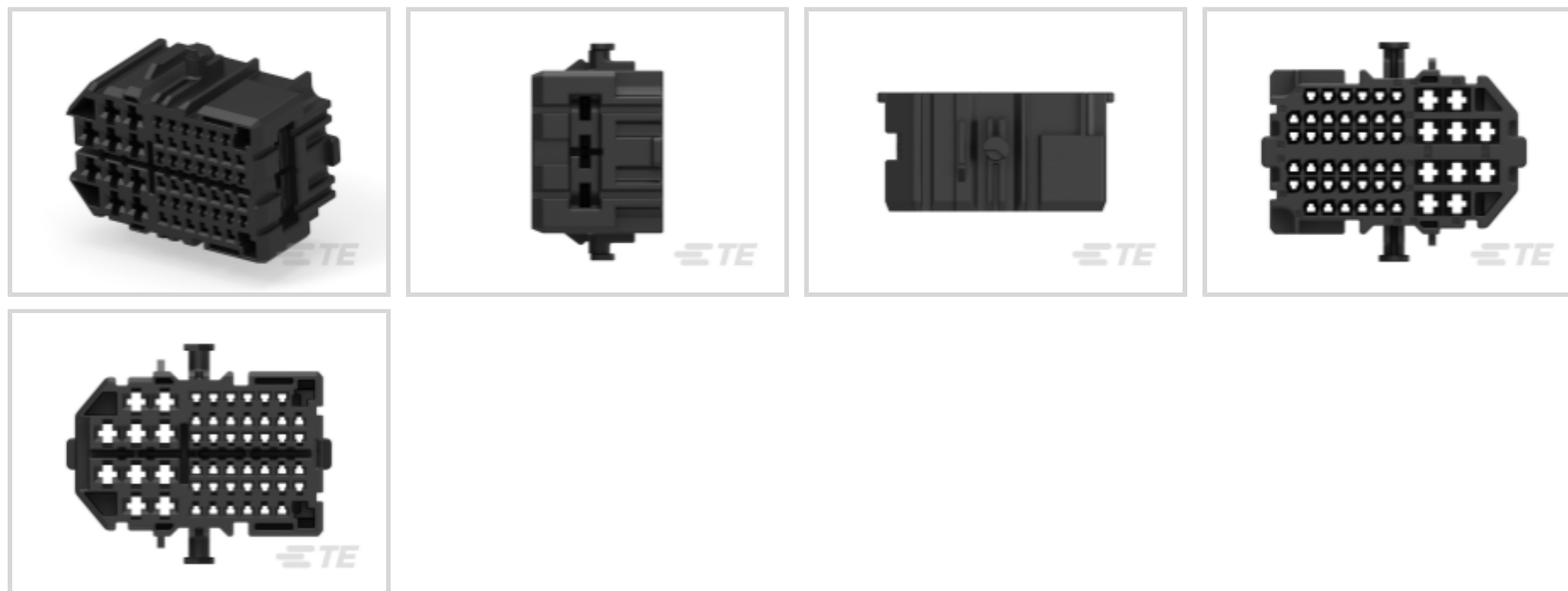
TE Internal #: 2138420-1

50 Position Housing, Housing for Female Terminals, 3 mm / 5 mm [.11 in / .19 in] Centerline, Black, Wire & Cable, Cable Mount (Free-Hanging), A Code

[View on TE.com >](#)



Connectors > Automotive Connectors > Automotive Housings



Number of Positions: 50

Connector & Housing Type: **Housing for Female Terminals**

Mating Tab Width: 1.2 mm, 2.8 mm [.11 in, .047 in]

Centerline (Pitch): 3 mm, 5 mm [.11 in, .19 in]

Sealable: No

Features

Dimensions

Product Width	23.25 mm[1.5 in]
Row-to-Row Spacing	2.5 mm, 5.5 mm[.21 in][.09 in]
Product Length	46.35 mm[1.82 in]
Connector Height	38.3 mm[1.5 in]

Mechanical Attachment

Terminal Position Assurance	No
Connector Mounting Type	Cable Mount (Free-Hanging)

Product Type Features

Mixed & Hybrid Connector	Yes
Connector Shape	Rectangular
Connector & Housing Type	Housing for Female Terminals
Sealable	No
Primary Locking Feature	Integrated in Housing
Connector & Contact Terminates To	Wire & Cable



Configuration Features

Number of Positions	50
Number of Rows	6

Contact Features

Mating Tab Width	1.2 mm, 2.8 mm [.11 in] [.047 in]
------------------	-----------------------------------

Body Features

Primary Product Color	Black
Connector & Keying Code	A

Housing Features

Centerline (Pitch)	3 mm, 5 mm [.11 in] [.19 in]
--------------------	------------------------------

Other

Connector Position Assurance Capable	No
EU RoHS Compliance	Compliant
EU ELV Compliance	Compliant

Product Compliance

[For compliance documentation, visit the product page on TE.com>](#)

EU RoHS Directive 2011/65/EU	Compliant
EU ELV Directive 2000/53/EC	Compliant
China RoHS 2 Directive MIIT Order No 32, 2016	No Restricted Materials Above Threshold
EU REACH Regulation (EC) No. 1907/2006	Current ECHA Candidate List: JUNE 2024 (241) Candidate List Declared Against: JUNE 2024 (241) Does not contain REACH SVHC
Halogen Content	Low Halogen - Br, Cl, F, I < 900 ppm per homogenous material. Also BFR/CFR/PVC Free
Solder Process Capability	Not applicable for solder process capability

Product Compliance Disclaimer

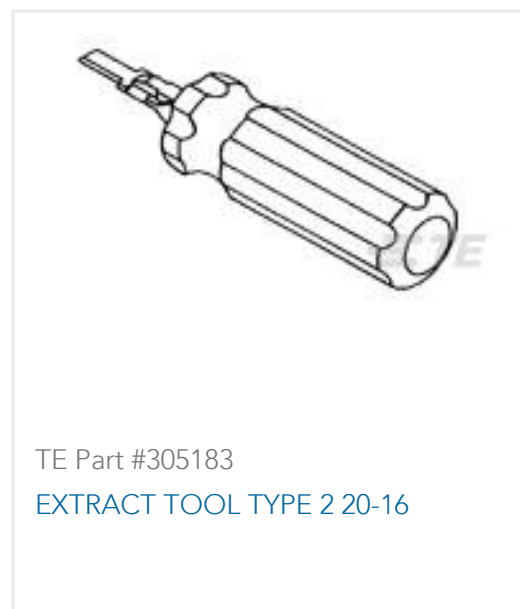
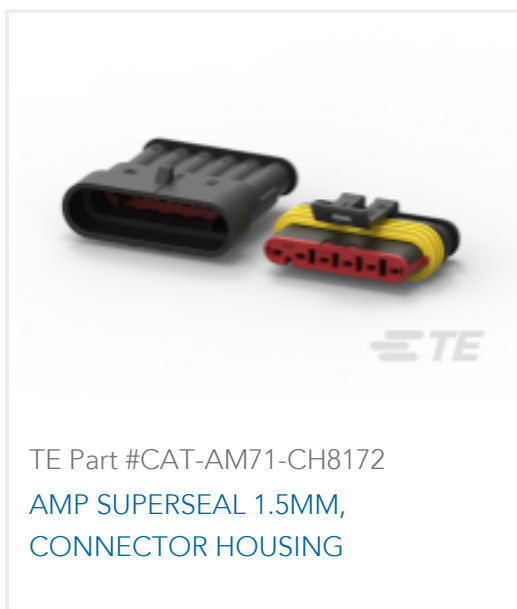
This information is provided based on reasonable inquiry of our suppliers and represents our current actual knowledge based on the information they provided. This information is subject to change. The part numbers that TE has identified as EU RoHS compliant have a maximum concentration of 0.1% by weight in homogenous materials for lead, hexavalent chromium, mercury, PBB, PBDE, DBP, BBP, DEHP, DIBP, and 0.01% for cadmium, or qualify for an exemption to these limits as defined in the Annexes of Directive 2011/65/EU (RoHS2). Finished electrical and electronic equipment products will be CE marked as required by Directive 2011/65/EU. Components may not be CE marked. Additionally, the part numbers that TE has identified as EU ELV compliant have a maximum concentration of 0.1% by weight in homogenous materials for lead, hexavalent chromium, and mercury, and 0.01% for cadmium, or qualify for an exemption to these limits

as defined in the Annexes of Directive 2000/53/EC (ELV). Regarding the REACH Regulation, the information TE provides on SVHC in articles for this part number is based on the latest European Chemicals Agency (ECHA) 'Guidance on requirements for substances in articles' posted at this URL: <https://echa.europa.eu/guidance-documents/guidance-on-reach>

Compatible Parts



Customers Also Bought



Documents

Product Drawings

50P HYBRID UNSEALED RECEIPT PLU

English

CAD Files

Customer View Model

[ENG_CVM_CVM_2138420-1_B.2d_dxf.zip](#)

English

3D PDF

3D

Customer View Model



[ENG_CVM_CVM_2138420-1_B.3d_igs.zip](#)

English

Customer View Model

[ENG_CVM_CVM_2138420-1_B.3d_stp.zip](#)

English

By downloading the CAD file I accept and agree to the [Terms and Conditions](#) of use.