

213652-1 ✓ ACTIVE

AMP | AMP CPC

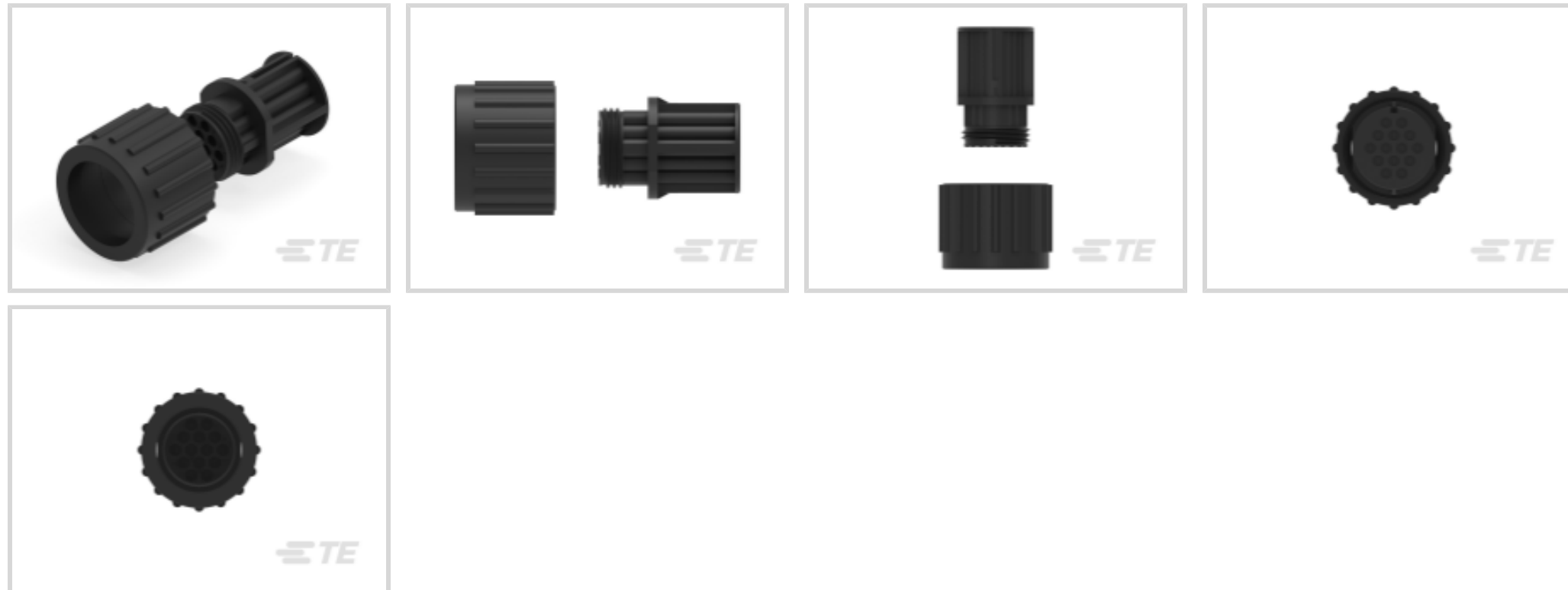
TE Internal #: 213652-1

14 Position Circular Power Connector, Housing, 250 VDC, 14 – 24 AWG, .2 – 2 mm<sup>2</sup> Wire, Wire-to-Wire, Wire & Cable, Plug, Socket, Signal, Black, AMP CPC

[View on TE.com >](#)



Connectors > Power Connectors > Circular Power > Circular Power Connectors



Number of Positions: **14**

Connector Product Type: **Housing**

Operating Voltage: **250 VDC**

Wire Size: **.2 – 2 mm<sup>2</sup>**

## Features

### Packaging Features

Packaging Quantity	1
Packaging Method	Package

### Mechanical Attachment

Mating Alignment Type	Keyed
Mating Retention Type	Threaded Coupling
Mating Alignment	With
Thread Size	15/16-20 UNEF – 2A
Connector Mounting Type	Cable Mount (Free-Hanging)
Mating Retention	With
Panel Mount Feature	Without

### Housing Features

Body Orientation	Straight
Housing Color	Black
Housing Material	Polyamide
Circular Connector Shell Size	20



### Configuration Features

Reverse Numbering	Without
Number of Positions	14
Number of Power Positions	0
Number of Signal Positions	14

### Product Type Features

Connector Product Type	Housing
Connector System	Wire-to-Wire
Sealable	No
Connector & Contact Terminates To	Wire & Cable
Connector & Housing Type	Plug
Circular Connector Shell Type	All Plastic

### Electrical Characteristics

Operating Voltage	250 VAC
-------------------	---------

### Dimensions

Wire Size	.2 – 2 mm <sup>2</sup>
Assembly Length	41.66 mm[1.64 in]

### Contact Features

Reverse Gender	No
Contact Type	Socket
Contact Current Rating (Max)	13 A
Contact Protection	With

### Termination Features

Termination Method to Wire & Cable	Crimp
------------------------------------	-------

### Usage Conditions

Operating Temperature Range	-55 – 105 °C[-67 – 221 °F]
Fluid Resistance	None

### Operation/Application

Circuit Application	Signal
Shielded	No

### Industry Standards

--	--

UL Flammability Rating	UL 94V-0
------------------------	----------

### Other

EU RoHS Compliance	Compliant
--------------------	-----------

EU ELV Compliance	Compliant
-------------------	-----------

## Product Compliance

[For compliance documentation, visit the product page on TE.com>](#)

EU RoHS Directive 2011/65/EU	Compliant
------------------------------	-----------

EU ELV Directive 2000/53/EC	Compliant
-----------------------------	-----------

China RoHS 2 Directive MIIT Order No 32, 2016	No Restricted Materials Above Threshold
---	---

EU REACH Regulation (EC) No. 1907/2006	Current ECHA Candidate List: JUNE 2024 (241) Candidate List Declared Against: JUNE 2024 (241) Does not contain REACH SVHC
--	---

Halogen Content	BFR/CFR/PVC Free, but Br/Cl >900 ppm in other sources.
-----------------	--

Solder Process Capability	Not applicable for solder process capability
---------------------------	--

### Product Compliance Disclaimer

This information is provided based on reasonable inquiry of our suppliers and represents our current actual knowledge based on the information they provided. This information is subject to change. The part numbers that TE has identified as EU RoHS compliant have a maximum concentration of 0.1% by weight in homogenous materials for lead, hexavalent chromium, mercury, PBB, PBDE, DBP, BBP, DEHP, DIBP, and 0.01% for cadmium, or qualify for an exemption to these limits as defined in the Annexes of Directive 2011/65/EU (RoHS2). Finished electrical and electronic equipment products will be CE marked as required by Directive 2011/65/EU. Components may not be CE marked. Additionally, the part numbers that TE has identified as EU ELV compliant have a maximum concentration of 0.1% by weight in homogenous materials for lead, hexavalent chromium, and mercury, and 0.01% for cadmium, or qualify for an exemption to these limits as defined in the Annexes of Directive 2000/53/EC (ELV). Regarding the REACH Regulation, the information TE provides on SVHC in articles for this part number is based on the latest European Chemicals Agency (ECHA) 'Guidance on requirements for substances in articles' posted at this URL: <https://echa.europa.eu/guidance-documents/guidance-on-reach>

## Compatible Parts





## Also in the Series | AMP CPC



Circular Connector Backshells & Clamps(1)



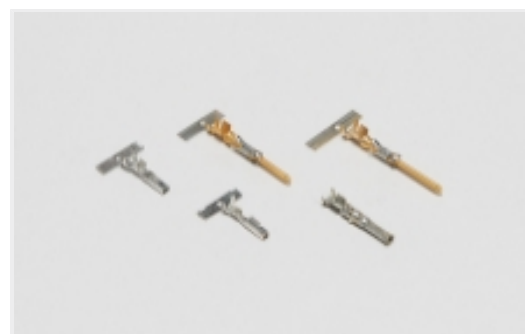
Circular Power Connectors(423)



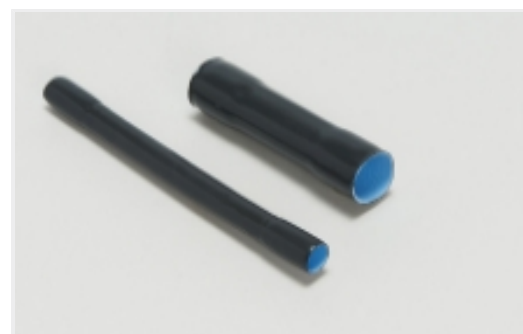
Connector Contacts(6)



Connector Hardware(12)



Power Contacts(6)



Sealing Sleeves(2)

## Customers Also Bought



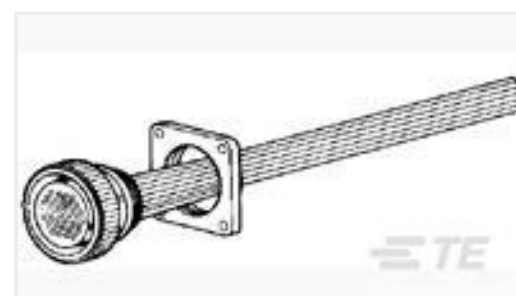
TE Part #211773-1  
23-19 CPC RECEPT REV SEX



TE Part #6609012-5  
10EH1=F7647 S0



TE Part #3-1437622-0  
KN1251B1/4=KNOB BLK KNURL L/HA



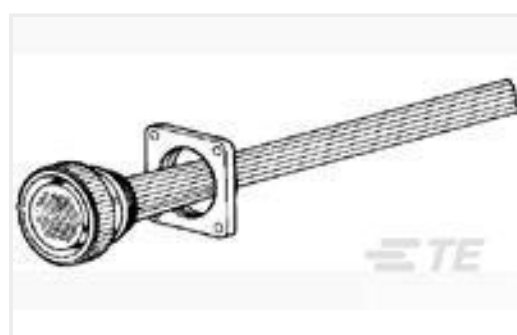
TE Part #207299-3  
FLANGE PLUG MOUNT CPC



TE Part #T4110012041-000  
M12 F, 4P GOLD A\_CODE S SHIELDED PG9



TE Part #4-2213772-7  
AV22 DPM 3A MOVE RING LED RED 24V



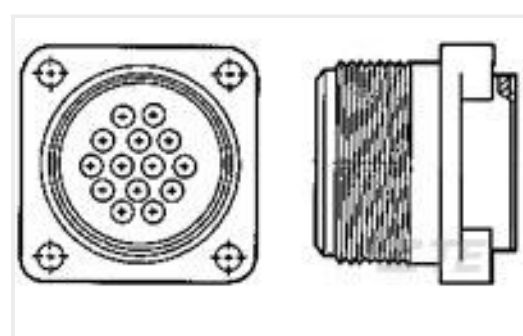
TE Part #207299-2  
FLANGE PLUG MOUNT CPC



TE Part #1-66601-2  
III+ SKT,18-14,TIN,LP



TE Part #1SNG626138R0000  
EP-SGL-NPT1-BL-A



TE Part #213570-1  
CPC RECPT 20-14 SPECIAL



## Documents

### Product Drawings

[CPC PLUG KIT 20-14,STD SEX](#)

English

---

### CAD Files

[3D PDF](#)

3D

Customer View Model

[ENG\\_CVM\\_CVM\\_213652-1\\_O.2d\\_dxf.zip](#)

English

Customer View Model

[ENG\\_CVM\\_CVM\\_213652-1\\_O.3d\\_igs.zip](#)

English

Customer View Model

[ENG\\_CVM\\_CVM\\_213652-1\\_O.3d\\_stp.zip](#)

English

[3D PDF](#)

English

Customer View Model

[ENG\\_CVM\\_213652-1\\_D.2d\\_dxf.zip](#)

English

Customer View Model

[ENG\\_CVM\\_213652-1\\_D.3d\\_igs.zip](#)

English

Customer View Model

[ENG\\_CVM\\_213652-1\\_D.3d\\_stp.zip](#)

English

By downloading the CAD file I accept and agree to the [Terms and Conditions](#) of use.

---

### Agency Approvals

[CSA Certificate](#)

English

[CSA Certificate](#)

English