



Connectors > Connector Accessories > Connector Strain Relief



Strain Relief Accessory Type: **Cord Guard**

Primary Product Material: **PVC Vinyl**

Primary Product Color: **Black**

UL Flammability Rating: **UL 94V-2**

Packaging Method: **Package**

Features

Product Type Features

Strain Relief Accessory Type	Cord Guard
------------------------------	------------

Body Features

Primary Product Material	PVC Vinyl
Primary Product Color	Black

Usage Conditions

Operating Temperature Range	-55 – 105 °C[-67 – 221 °F]
-----------------------------	----------------------------

Industry Standards

UL Flammability Rating	UL 94V-2
------------------------	----------

Packaging Features

Packaging Method	Package
Packaging Quantity	1

Other

EU RoHS Compliance	Compliant
EU ELV Compliance	Compliant

Product Compliance

[For compliance documentation, visit the product page on TE.com>](#)

EU RoHS Directive 2011/65/EU	Compliant
EU ELV Directive 2000/53/EC	Compliant

China RoHS 2 Directive MIIT Order No 32, 2016	No Restricted Materials Above Threshold
EU REACH Regulation (EC) No. 1907/2006	Current ECHA Candidate List: JUNE 2024 (241) Candidate List Declared Against: JAN 2018 (181) Does not contain REACH SVHC
Halogen Content	Low Halogen - Br, Cl, F, I < 900 ppm per homogenous material. Also BFR/CFR/PVC Free
Solder Process Capability	Not applicable for solder process capability

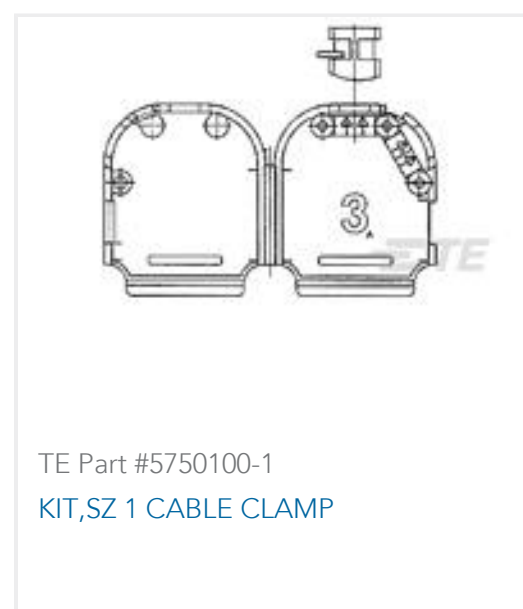
Product Compliance Disclaimer

This information is provided based on reasonable inquiry of our suppliers and represents our current actual knowledge based on the information they provided. This information is subject to change. The part numbers that TE has identified as EU RoHS compliant have a maximum concentration of 0.1% by weight in homogenous materials for lead, hexavalent chromium, mercury, PBB, PBDE, DBP, BBP, DEHP, DIBP, and 0.01% for cadmium, or qualify for an exemption to these limits as defined in the Annexes of Directive 2011/65/EU (RoHS2). Finished electrical and electronic equipment products will be CE marked as required by Directive 2011/65/EU. Components may not be CE marked. Additionally, the part numbers that TE has identified as EU ELV compliant have a maximum concentration of 0.1% by weight in homogenous materials for lead, hexavalent chromium, and mercury, and 0.01% for cadmium, or qualify for an exemption to these limits as defined in the Annexes of Directive 2000/53/EC (ELV). Regarding the REACH Regulation, the information TE provides on SVHC in articles for this part number is based on the latest European Chemicals Agency (ECHA) 'Guidance on requirements for substances in articles' posted at this URL: <https://echa.europa.eu/guidance-documents/guidance-on-reach>

Compatible Parts



Customers Also Bought





TE Part #531230-2
SHUNT, .200 C/L,LP,2 POS, 15AU



TE Part #326875
TERMINAL,PIDG R 26-22 6



TE Part #171551-2
P.G SPADE



TE Part #323030
SPLICE,SOLIS PARA HR 22-16



TE Part #7-2176614-0
EP 10W (SS) 750R 5% BULK BOX



TE Part #5520257-2
MJ,TE,4P,PINL STOPS

Documents

Product Drawings

[CORD GUARD, DIN CONNECTOR](#)

English

CAD Files

Customer View Model

[ENG_CVM_212800-1_L.3d_igs.zip](#)

English

Customer View Model

[ENG_CVM_212800-1_L.3d_stp.zip](#)

English

Customer View Model

[ENG_CVM_212800-1_L.2d_dxf.zip](#)

English

3D PDF

English

By downloading the CAD file I accept and agree to the [Terms and Conditions](#) of use.

Product Specifications

[Application Specification](#)

English