



Cable Assemblies > Copper Cable Assemblies > Power Cable Assemblies



Cable Assembly Type: LVDC

Cable Assembly Length: 1.8288 m [6 ft]

Cable Color: Natural

Cable Assembly Configuration: Double Ended

Cable Assembly (End A): LVDC Plug

Features

Product Type Features

Cable Assembly Type	LVDC
Cable Assembly (End A)	LVDC Plug
Cable Assembly (End B)	LVDC Plug

Other

Cable Assembly Length	1.8288 m[6 ft]
Cable Assembly Configuration	Double Ended
EU ELV Compliance	Compliant

Body Features

Cable Color	Natural
Connector Color (End A)	Natural
Connector Color (End B)	Natural

Housing Features

Housing Material	Nylon 66
------------------	----------

Dimensions

Wire Size	18 AWG
-----------	--------

Product Compliance

[For compliance documentation, visit the product page on TE.com>](#)

EU RoHS Directive 2011/65/EU	Not Yet Reviewed
EU ELV Directive 2000/53/EC	Compliant
China RoHS 2 Directive MIIT Order No 32, 2016	No Restricted Materials Above Threshold
EU REACH Regulation (EC) No. 1907/2006	Current ECHA Candidate List: JUNE 2024 (241) Candidate List Declared Against: JUN 2016 (169) SVHC > Threshold: Not Yet Reviewed
Halogen Content	Not Yet Reviewed for halogen content
Solder Process Capability	Not reviewed for solder process capability

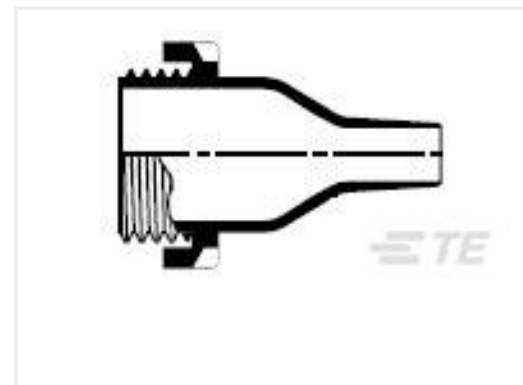
Product Compliance Disclaimer

This information is provided based on reasonable inquiry of our suppliers and represents our current actual knowledge based on the information they provided. This information is subject to change. The part numbers that TE has identified as EU RoHS compliant have a maximum concentration of 0.1% by weight in homogenous materials for lead, hexavalent chromium, mercury, PBB, PBDE, DBP, BBP, DEHP, DIBP, and 0.01% for cadmium, or qualify for an exemption to these limits as defined in the Annexes of Directive 2011/65/EU (RoHS2). Finished electrical and electronic equipment products will be CE marked as required by Directive 2011/65/EU. Components may not be CE marked. Additionally, the part numbers that TE has identified as EU ELV compliant have a maximum concentration of 0.1% by weight in homogenous materials for lead, hexavalent chromium, and mercury, and 0.01% for cadmium, or qualify for an exemption to these limits as defined in the Annexes of Directive 2000/53/EC (ELV). Regarding the REACH Regulations, TE's information on SVHC in articles for this part number is still based on the European Chemical Agency (ECHA) 'Guidance on requirements for substances in articles' (Version: 2, April 2011), applying the 0.1% weight on weight concentration threshold at the finished product level. TE is aware of the European Court of Justice ruling of September 10th, 2015 also known as O5A (Once An Article Always An Article) stating that, in case of 'complex object', the threshold for a SVHC must be applied to both the product as a whole and simultaneously to each of the articles forming part of its composition. TE has evaluated this ruling based on the new ECHA "Guidance on requirements for substances in articles" (June 2017, version 4.0) and will be updating its statements accordingly.

Customers Also Bought



TE Part #ZPF00000000007795
983-0WS 20-25 SN-L



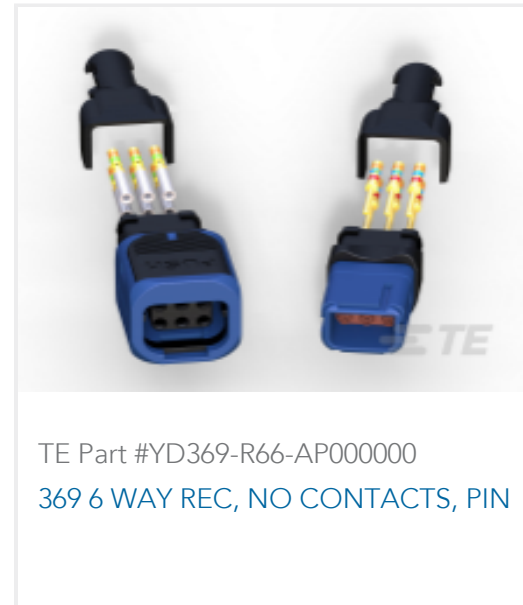
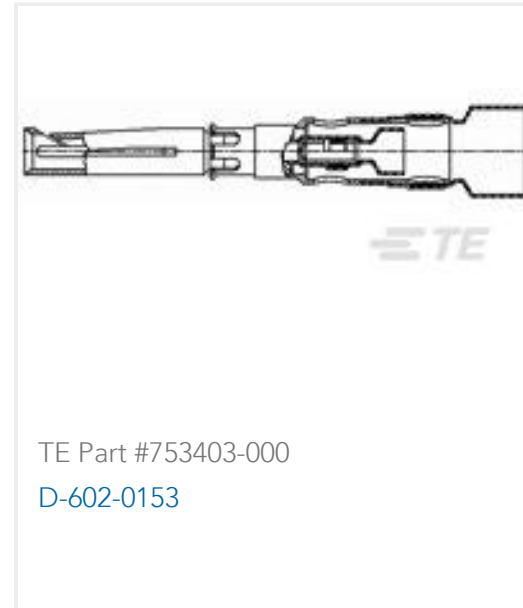
TE Part #733981-000
207W234-25-01/225-0



TE Part #840443-000
B-020-42-04



TE Part #YDTS24W09-35BN0000
JAM NUT RECEPTACLE



Documents

Datasheets & Catalog Pages

[LOW_VOLTAGE_DC_GRID_INTERCONNECTS](#)

English