

2071366-6 ✓ ACTIVE

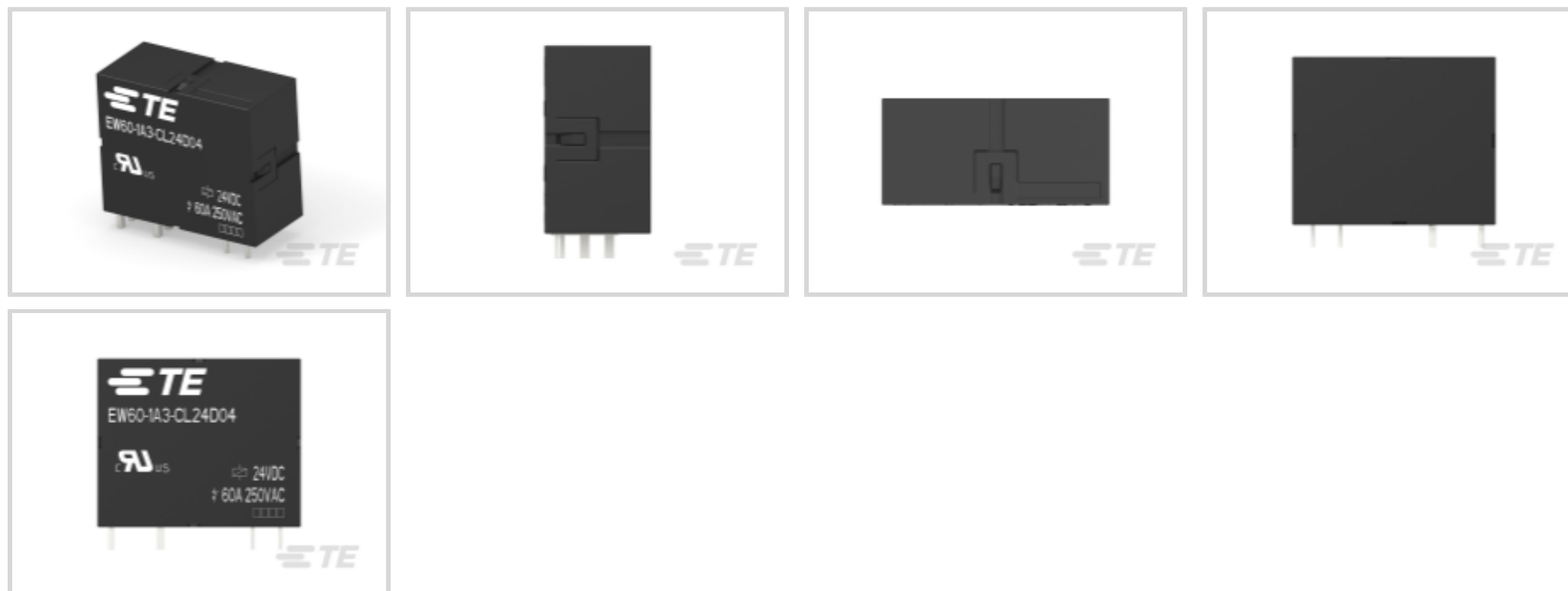
TE Internal #: 2071366-6

General Purpose Power Relay, DC, Bistable, 1 Coil, 1 Form A SPST-NO, 60 A Contact Rating, 24 VDC Coil Voltage, 277 VAC Contact Voltage, 3 W Coil Power

[View on TE.com >](#)



Relays & Contactors > Electromechanical Relays



Relay & Contactor Type: **General Purpose Power Relay**

Current Type: **DC**

Coil Magnetic System: **Bistable, 1 Coil**

Contact Arrangement: **1 Form A SPST-NO**

Contact Current Rating: **60 A**

Features

Contact Features

Contact Material	AgSnO2
------------------	--------

Dimensions

Insulation Clearance Between Contact & Coil	6 mm
Insulation Creepage Between Contact & Coil	6 mm[.236 in]
Product Width	17.2 mm[.677 in]
Product Length	36.8 mm[1.44 in]
Product Height	30.4 mm[1.19 in]

Packaging Features

Packaging Method	Box & Tray
------------------	------------

Usage Conditions

Operating Temperature Range	-40 – 85 °C[-40 – 185 °F]
Environmental Category of Protection	RTI
Environmental Ambient Temperature (Max)	85 °C[185 °F]

Body Features



Product Weight	37.5 g
Primary Product Color	Black
Enclosure Type	Dust Protected

Electrical Characteristics

Contact Limiting Continuous Current	60 A
Insulation Initial Dielectric Between Open Contacts	1500 Vrms
Insulation Initial Dielectric Between Adjacent Contacts	1500 Vrms
Coil Current	.21 A
Contact Switching Voltage (Max)	480 VAC
Coil Resistance	192 Ω
Insulation Initial Resistance	1000 M Ω
Contact Current Rating	60 A
Coil Voltage Rating	24 VDC
Contact Voltage Rating	277 VAC
Coil Power Rating DC	3 W
Insulation Initial Dielectric Between Contacts & Coil	4000 Vrms

Configuration Features

Contact Number of Poles	1
Coil Special Features	UL Coil Insulation Class F
Contact Arrangement	1 Form A SPST-NO

Product Type Features

Relay & Contactor Type	General Purpose Power Relay
------------------------	-----------------------------

Operation/Application

Current Type	DC
Coil Magnetic System	Bistable, 1 Coil

Termination Features

Main Termination & Connection Type	Solder Pins
Coil Termination & Connection Type	Solder Pins

Mechanical Attachment

Product Mount Type	Board Mount
--------------------	-------------

Other

Length Class (Mechanical)	36.8 mm
---------------------------	---------



EU RoHS Compliance Compliant

EU ELV Compliance Compliant

Product Compliance

[For compliance documentation, visit the product page on TE.com>](#)

EU RoHS Directive 2011/65/EU Compliant

EU ELV Directive 2000/53/EC Compliant

China RoHS 2 Directive MIIT Order No 32, 2016 No Restricted Materials Above Threshold

EU REACH Regulation (EC) No. 1907/2006 Current ECHA Candidate List: JUNE 2024 (241)
Candidate List Declared Against: JUNE 2024 (241)
Does not contain REACH SVHC

Halogen Content Not Low Halogen - contains Br or Cl > 900 ppm.

Solder Process Capability Wave solder capable to 265°C

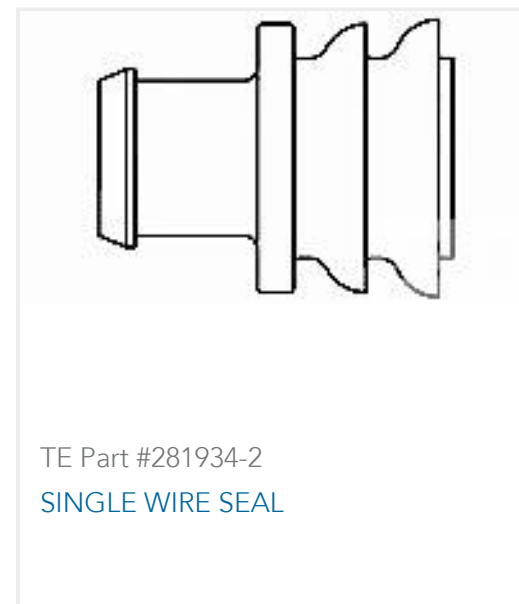
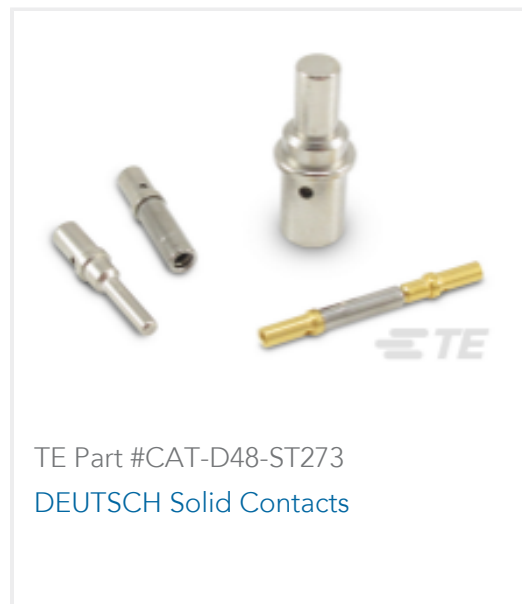
Product Compliance Disclaimer

This information is provided based on reasonable inquiry of our suppliers and represents our current actual knowledge based on the information they provided. This information is subject to change. The part numbers that TE has identified as EU RoHS compliant have a maximum concentration of 0.1% by weight in homogenous materials for lead, hexavalent chromium, mercury, PBB, PBDE, DBP, BBP, DEHP, DIBP, and 0.01% for cadmium, or qualify for an exemption to these limits as defined in the Annexes of Directive 2011/65/EU (RoHS2). Finished electrical and electronic equipment products will be CE marked as required by Directive 2011/65/EU. Components may not be CE marked. Additionally, the part numbers that TE has identified as EU ELV compliant have a maximum concentration of 0.1% by weight in homogenous materials for lead, hexavalent chromium, and mercury, and 0.01% for cadmium, or qualify for an exemption to these limits as defined in the Annexes of Directive 2000/53/EC (ELV). Regarding the REACH Regulation, the information TE provides on SVHC in articles for this part number is based on the latest European Chemicals Agency (ECHA) 'Guidance on requirements for substances in articles' posted at this URL: <https://echa.europa.eu/guidance-documents/guidance-on-reach>

Compatible Parts



Customers Also Bought



Documents

CAD Files

3D PDF

3D

Customer View Model

[ENG_CVM_CVM_2071366-6_B.2d_dxf.zip](#)

English

Customer View Model

[ENG_CVM_CVM_2071366-6_B.3d_igs.zip](#)

English

Customer View Model

[ENG_CVM_CVM_2071366-6_B.3d_stp.zip](#)

English

By downloading the CAD file I accept and agree to the [Terms and Conditions](#) of use.

Agency Approvals

VDE Certificate

English

VDE Certificate

English