



**AMPLIMITE**

TE Internal #: 206498-1

Plug, Cable-to-Cable, Panel Mount, 15 Position, 1 Shell Size, Pin, Size 22 Contact Size, 2.29 mm [.09 in] Centerline, Wire & Cable, Signal

[View on TE.com >](#)

Connectors > D-Shaped Connectors > D-Sub Connectors > Panel Mount D-Sub Connectors



Connector & Housing Type: **Plug**  
 Connector System: **Cable-to-Cable**  
 Connector Mounting Type: **Panel Mount**  
 Number of Positions: **15**  
 Power/Signal/Coax Combination: **No**

**Features**

**Termination Features**

Termination Method to Wire & Cable	Crimp
------------------------------------	-------

**Body Features**

Front Shell Material	Brass
Mating Retention Feature Material	Copper Alloy
D-Sub Connector Insert Arrangement	MS18273-2
Rear Shell Plating Material	Gold
Rear Shell Material	Brass
Front Shell Plating Material	Gold

**Packaging Features**

Packaging Method	Package
------------------	---------

**Contact Features**

Contact Options	Installed
Contact Type	Pin
Contact Size	Size 22
Contact Current Rating (Max)	5 A

**Mechanical Attachment**

Mounting Hole Diameter	3.91 mm[.154 in]
Connector Mounting Type	Panel Mount



Mating Alignment	Without
------------------	---------

### Product Type Features

Connector & Housing Type	Plug
Connector System	Cable-to-Cable
Connector Shell Size	1
Sealable	No
Connector & Contact Terminates To	Wire & Cable

### Configuration Features

Number of Positions	15
Power/Signal/Coax Combination	No

### Housing Features

Centerline (Pitch)	2.29 mm [.09 in]
--------------------	------------------

### Usage Conditions

Operating Temperature Range	-55 – 125 °C [-67 – 257 °F]
-----------------------------	-----------------------------

### Operation/Application

Circuit Application	Signal
---------------------	--------

### Other

EU RoHS Compliance	Compliant with Exemptions
EU ELV Compliance	Compliant with Exemptions

### Product Compliance

[For compliance documentation, visit the product page on TE.com>](#)

EU RoHS Directive 2011/65/EU	Compliant with Exemptions
EU ELV Directive 2000/53/EC	Compliant with Exemptions
China RoHS 2 Directive MIIT Order No 32, 2016	Restricted Materials Above Threshold
EU REACH Regulation (EC) No. 1907/2006	Current ECHA Candidate List: JUNE 2024 (241) Candidate List Declared Against: JAN 2024 (240) SVHC > Threshold: Pb (4% in Contact/Component) <b>Article Safe Usage Statements:</b> Do not eat, drink or smoke when using this product. Wash thoroughly after handling. Recycle if possible and dispose of the article by following all applicable governmental regulations relevant to your geographic location.
Halogen Content	Not Yet Reviewed for halogen content

Solder Process Capability

Wave solder capable to 265°C

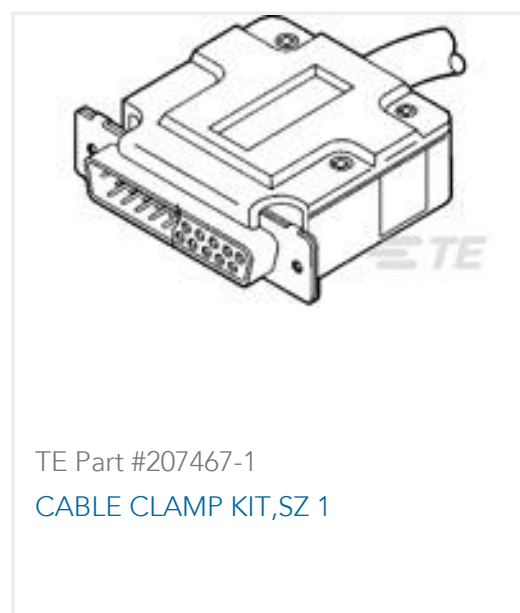
Product Compliance Disclaimer

This information is provided based on reasonable inquiry of our suppliers and represents our current actual knowledge based on the information they provided. This information is subject to change. The part numbers that TE has identified as EU RoHS compliant have a maximum concentration of 0.1% by weight in homogenous materials for lead, hexavalent chromium, mercury, PBB, PBDE, DBP, BBP, DEHP, DIBP, and 0.01% for cadmium, or qualify for an exemption to these limits as defined in the Annexes of Directive 2011/65/EU (RoHS2). Finished electrical and electronic equipment products will be CE marked as required by Directive 2011/65/EU. Components may not be CE marked. Additionally, the part numbers that TE has identified as EU ELV compliant have a maximum concentration of 0.1% by weight in homogenous materials for lead, hexavalent chromium, and mercury, and 0.01% for cadmium, or qualify for an exemption to these limits as defined in the Annexes of Directive 2000/53/EC (ELV). Regarding the REACH Regulation, the information TE provides on SVHC in articles for this part number is based on the latest European Chemicals Agency (ECHA) 'Guidance on requirements for substances in articles' posted at this URL: <https://echa.europa.eu/guidance-documents/guidance-on-reach>

### Compatible Parts



### Customers Also Bought





TE Part #206503-4  
RECEPT ASSY,62 POSN,AMPLIMITE



TE Part #206804-1  
PLUG ASSY,50 POSN,AMPLIMITE

## Documents

### Product Drawings

[PLUG ASSY,15 POSN,AMPLIMIT](#)

English

### CAD Files

[3D PDF](#)

3D

Customer View Model

[ENG\\_CVM\\_CVM\\_206498-1\\_BC.2d\\_dxf.zip](#)

English

Customer View Model

[ENG\\_CVM\\_CVM\\_206498-1\\_BC.3d\\_igs.zip](#)

English

Customer View Model

[ENG\\_CVM\\_CVM\\_206498-1\\_BC.3d\\_stp.zip](#)

English

By downloading the CAD file I accept and agree to the [Terms and Conditions](#) of use.

### Instruction Sheets

[Instruction Sheet \(U.S.\)](#)

English

[AMPLIMITE NON-MAGNETIC HIGH DENISTY 22 \(HD-22\) CONNECTORS](#)

English