



Connectors > Connector Accessories > Connector Strain Relief



Strain Relief Accessory Type: **Cable Clamp**

Primary Product Material: **Carbon Steel**

Number of Positions: **26**

Thread Size: **4-40**

Packaging Method: **Bag**

Features

Dimensions

Product Width	19.05 mm[.75 in]
Product Length	69.44 mm[2.734 in]
Product Height	41.28 mm[1.625 in]

Body Features

Cable Exit Angle	90°, 180°
Primary Product Plating Material	Nickel
Primary Product Material	Carbon Steel

Product Type Features

Strain Relief Accessory Type	Cable Clamp
------------------------------	-------------

Configuration Features

Number of Positions	26
---------------------	----

Mechanical Attachment

Thread Size	4-40
-------------	------

Usage Conditions

--	--

Operating Temperature Range	-55 – 150 °C[-67 – 302 °F]
-----------------------------	----------------------------

Packaging Features

Packaging Method	Bag
Packaging Quantity	1

Other

EU RoHS Compliance	Compliant
EU ELV Compliance	Compliant

Product Compliance

[For compliance documentation, visit the product page on TE.com>](#)

EU RoHS Directive 2011/65/EU	Compliant
EU ELV Directive 2000/53/EC	Compliant
China RoHS 2 Directive MIIT Order No 32, 2016	No Restricted Materials Above Threshold
EU REACH Regulation (EC) No. 1907/2006	Current ECHA Candidate List: JUNE 2024 (241) Candidate List Declared Against: JAN 2022 (223) Does not contain REACH SVHC
Halogen Content	Not Yet Reviewed for halogen content
Solder Process Capability	Not applicable for solder process capability

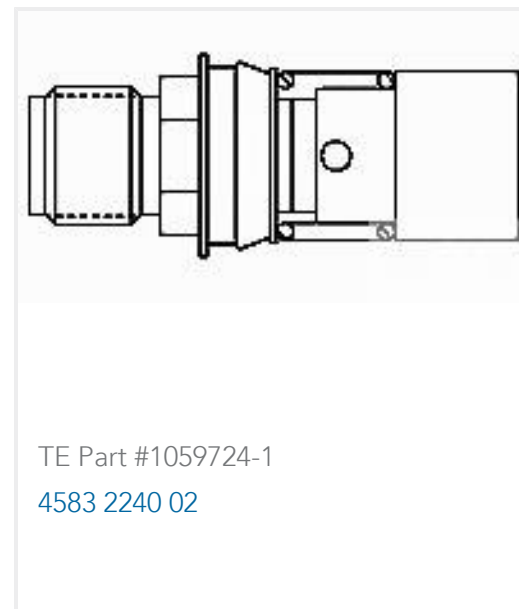
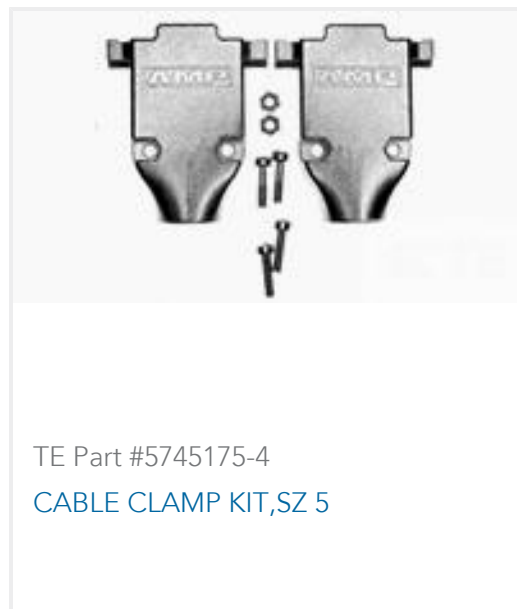
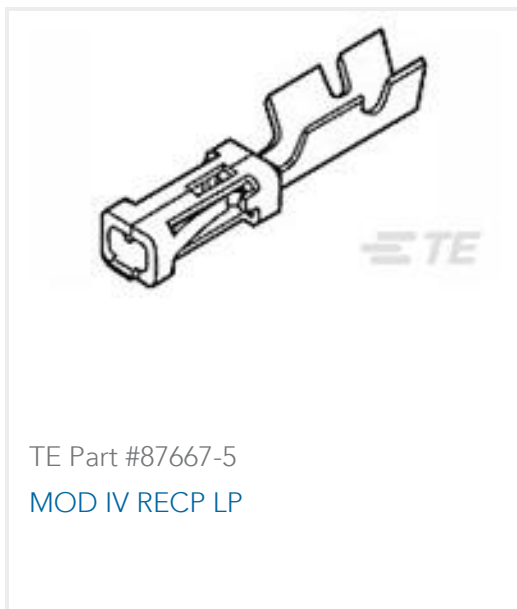
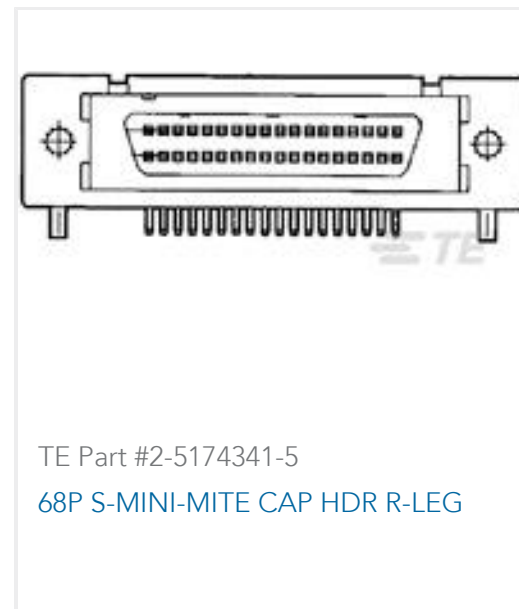
Product Compliance Disclaimer

This information is provided based on reasonable inquiry of our suppliers and represents our current actual knowledge based on the information they provided. This information is subject to change. The part numbers that TE has identified as EU RoHS compliant have a maximum concentration of 0.1% by weight in homogenous materials for lead, hexavalent chromium, mercury, PBB, PBDE, DBP, BBP, DEHP, DIBP, and 0.01% for cadmium, or qualify for an exemption to these limits as defined in the Annexes of Directive 2011/65/EU (RoHS2). Finished electrical and electronic equipment products will be CE marked as required by Directive 2011/65/EU. Components may not be CE marked. Additionally, the part numbers that TE has identified as EU ELV compliant have a maximum concentration of 0.1% by weight in homogenous materials for lead, hexavalent chromium, and mercury, and 0.01% for cadmium, or qualify for an exemption to these limits as defined in the Annexes of Directive 2000/53/EC (ELV). Regarding the REACH Regulation, the information TE provides on SVHC in articles for this part number is based on the latest European Chemicals Agency (ECHA) 'Guidance on requirements for substances in articles' posted at this URL: <https://echa.europa.eu/guidance-documents/guidance-on-reach>

Compatible Parts



Customers Also Bought



Documents

Product Drawings

[26 PL. STRAIN REL. CLAMP](#)

English

CAD Files

[Customer View Model](#)

[ENG_CVM_201845-2_E.3d_igs.zip](#)

English

[Customer View Model](#)



[ENG_CVM_201845-2_E.3d_stp.zip](#)

English

Customer View Model

[ENG_CVM_201845-2_E.2d_dxf.zip](#)

English

3D PDF

3D

Customer View Model

[ENG_CVM_CVM_201845-2_J.3d_igs.zip](#)

English

Customer View Model

[ENG_CVM_CVM_201845-2_J.3d_stp.zip](#)

English

Customer View Model

[ENG_CVM_CVM_201845-2_J.2d_dxf.zip](#)

English

3D PDF

3D

By downloading the CAD file I accept and agree to the [Terms and Conditions](#) of use.

Instruction Sheets

[Instruction Sheet \(U.S.\)](#)

English

STRAIN RELIEF CLAMP CATALOG NO. 201845 FOR 26 POSIITON SERIES "M"

English