



Power Double Lock

TE Internal #: 2005248-1

Housing, Receptacle, Wire-to-Wire, 2 Position, 3.96 mm [.156 in]

Centerline, Wire & Cable, UL 94V-0, Power Double Lock,

Rectangular Power Connectors

[View on TE.com >](#)

Connectors > Power Connectors > Rectangular Power > Rectangular Power Connectors



Rectangular Power Connector Type: **Housing**

Connector & Housing Type: **Receptacle**

Connector System: **Wire-to-Wire**

Number of Positions: **2**

Centerline (Pitch): **3.96 mm [.156 in]**

Features

Identification Marking

Circuit Identification Feature	Without
--------------------------------	---------

Dimensions

Product Width	9.94 mm[.391 in]
Product Length	9.94 mm[.391 in]
Connector Height	26.1 mm[1.02 in]

Packaging Features

Packaging Quantity	1
Packaging Method	Bag

Contact Features

Multiple Contact Types	Without
Contact Layout	Inline
Contact Retention Within Housing	Without
Contact Type	Tab



Mechanical Attachment

Panel Mount Feature	Without
Connector Mounting Type	Cable Mount (Free-Hanging)

Industry Standards

Compatible With Agency/Standards Products	UL, VDE, CSA
UL Rating	Recognized
Compatible With Approved Standards Products	UL E28476
CSA Rating	Certified
UL Flammability Rating	UL 94V-0
Glow Wire Rating	GWT 750°C (Without Flame)

Product Type Features

Rectangular Power Connector Type	Housing
Connector & Housing Type	Receptacle
Connector System	Wire-to-Wire
Sealable	No
Connector & Contact Terminates To	Wire & Cable

Configuration Features

Number of Positions	2
Number of Power Positions	0
Number of Signal Positions	0
Number of Rows	1

Electrical Characteristics

Operating Voltage	300 VAC
-------------------	---------

Termination Features

Termination Method to Wire & Cable	Crimp
------------------------------------	-------

Housing Features

Centerline (Pitch)	3.96 mm [.156 in]
Housing Color	Natural
Housing Material	PA 66

Usage Conditions

Operating Temperature Range	-30 – 105 °C [-22 – 221 °F]
-----------------------------	-----------------------------

Operation/Application



Circuit Application	Power & Signal
---------------------	----------------

Other

EU RoHS Compliance	Compliant
EU ELV Compliance	Compliant

Product Compliance

[For compliance documentation, visit the product page on TE.com>](#)

EU RoHS Directive 2011/65/EU	Compliant
EU ELV Directive 2000/53/EC	Compliant
China RoHS 2 Directive MIIT Order No 32, 2016	No Restricted Materials Above Threshold
EU REACH Regulation (EC) No. 1907/2006	Current ECHA Candidate List: JUNE 2024 (241) Candidate List Declared Against: JUNE 2024 (241) Does not contain REACH SVHC
Halogen Content	Not Low Halogen - contains Br or Cl > 900 ppm.
Solder Process Capability	Not applicable for solder process capability

Product Compliance Disclaimer

This information is provided based on reasonable inquiry of our suppliers and represents our current actual knowledge based on the information they provided. This information is subject to change. The part numbers that TE has identified as EU RoHS compliant have a maximum concentration of 0.1% by weight in homogenous materials for lead, hexavalent chromium, mercury, PBB, PBDE, DBP, BBP, DEHP, DIBP, and 0.01% for cadmium, or qualify for an exemption to these limits as defined in the Annexes of Directive 2011/65/EU (RoHS2). Finished electrical and electronic equipment products will be CE marked as required by Directive 2011/65/EU. Components may not be CE marked. Additionally, the part numbers that TE has identified as EU ELV compliant have a maximum concentration of 0.1% by weight in homogenous materials for lead, hexavalent chromium, and mercury, and 0.01% for cadmium, or qualify for an exemption to these limits as defined in the Annexes of Directive 2000/53/EC (ELV). Regarding the REACH Regulation, the information TE provides on SVHC in articles for this part number is based on the latest European Chemicals Agency (ECHA) 'Guidance on requirements for substances in articles' posted at this URL: <https://echa.europa.eu/guidance-documents/guidance-on-reach>

Compatible Parts

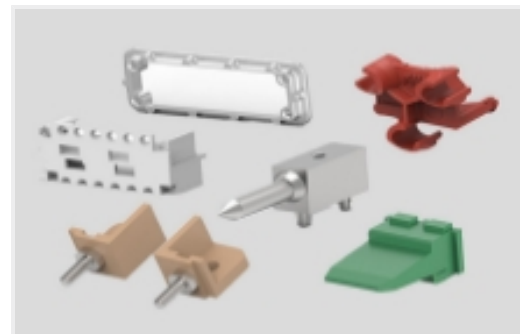




Also in the Series | Power Double Lock



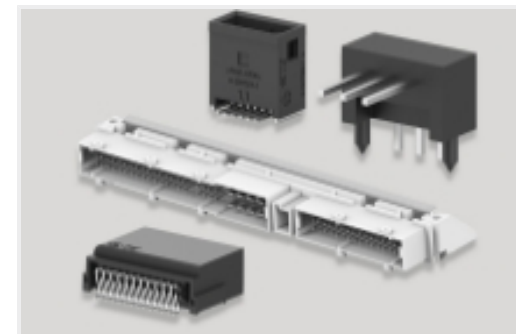
Connector Contacts(24)



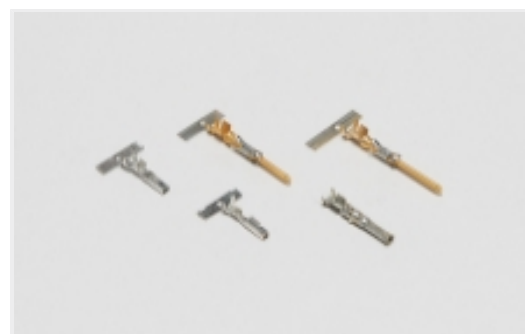
Connector Hardware(14)



Insertion & Extraction Tools(2)



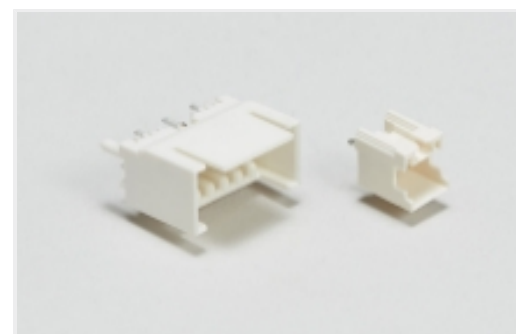
PCB Headers & Receptacles(43)



Power Contacts(24)



Rectangular Power Connectors(240)



Wire-to-Board Headers & Receptacles (43)

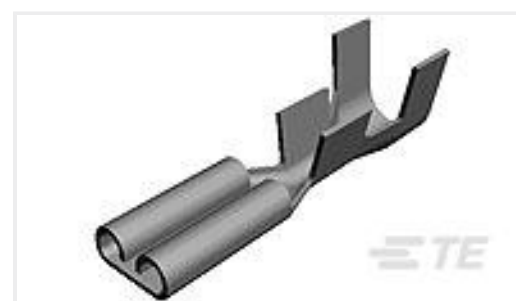
Customers Also Bought



TE Part #1744416-7
7 POS EP II HSG, GLOW WIRE



TE Part #368572-1
PDL 3P CAP 3.96 F/H(GWT) NAT



TE Part #41727
250 FASTON REC 16-12 AWG BR



TE Part #9-1241961-2
STD TIM HOUSING MKII 2POS



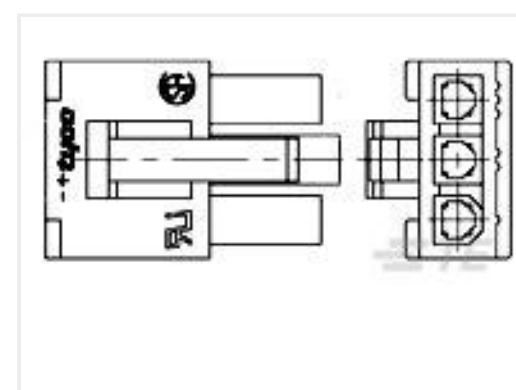
TE Part #2296205-2
2P RCPT VAL-U-LOK GWT/V0



TE Part #2296205-8
8P RCPT VAL-U-LOK GWT/V0



TE Part #2-1241965-4
STD TIMER PLUG HSG 4P W/EXT. LOCKING



TE Part #2029112-3
3P RCPT SR VAL-U-LOK GW



TE Part #794958-3
VAL-U-LOK SKT PHBZ SN 22-26AWG



TE Part #2-1241965-6
6POS STD TIMER HOUSING W.EXT. LOCK



Documents

Product Drawings

[PDL 2P CAP 3.96 F/H\(GWT\) NAT](#)

English

CAD Files

[3D PDF](#)

3D

Customer View Model

[ENG_CVM_CVM_2005248-1_B.2d_dxf.zip](#)

English

Customer View Model

[ENG_CVM_CVM_2005248-1_B.3d_igs.zip](#)

English

Customer View Model

[ENG_CVM_CVM_2005248-1_B.3d_stp.zip](#)

English

By downloading the CAD file I accept and agree to the [Terms and Conditions](#) of use.

Product Specifications

[Engineering Report](#)

English

Agency Approvals

[UL Report](#)

English