



Connectors > Contacts > Connector Contacts > 2.54mm FFC Connectors Socket Contacts



Contact Type: **Socket**

Contact Mating Area Plating Material: **Tin**

Compatible With Wire & Cable Type: **Discrete Wire**

Wire Size: .12 – .4 mm<sup>2</sup>

[All 2.54mm FFC Connectors Socket Contacts \(34\)](#)

## Features

### Packaging Features

|                  |      |
|------------------|------|
| Packaging Method | Reel |
|------------------|------|

### Dimensions

|                                      |                                |
|--------------------------------------|--------------------------------|
| Accepts Conductor Width              | 1.82 mm, 1.27 mm               |
| Compatible Insulation Diameter Range | 1.02 – 1.42 mm [.04 – .056 in] |
| Wire Size                            | .12 – .4 mm <sup>2</sup>       |

### Contact Features

|   |                 |
|---|-----------------|
| PCB Contact Termination Area Plating Material | Tin             |
|   | 100 μin         |
| Contact Type                                  | Socket          |
| Contact Mating Area Plating Material          | Tin             |
| Contact Base Material                         | Phosphor Bronze |
| Contact Current Rating (Max)                  | 2 A             |

### Configuration Features

|                                   |               |
|-----------------------------------|---------------|
| Compatible With Wire & Cable Type | Discrete Wire |
|-----------------------------------|---------------|

### Termination Features

|                                    |              |
|------------------------------------|--------------|
| Termination Method to Wire & Cable | Crimp        |
| Product Terminates To              | Wire & Cable |

### Usage Conditions

|  |  |
|--|--|
|  |  |
|--|--|



|                             |                            |
|-----------------------------|----------------------------|
| Operating Temperature Range | -65 – 105 °C[-85 – 221 °F] |
|-----------------------------|----------------------------|

**Operation/Application**

|                     |        |
|---------------------|--------|
| Circuit Application | Signal |
|---------------------|--------|

**Other**

|                    |           |
|--------------------|-----------|
| EU RoHS Compliance | Compliant |
| EU ELV Compliance  | Compliant |

**Product Compliance**

[For compliance documentation, visit the product page on TE.com>](#)

|   |   |
|---|---|
| EU RoHS Directive 2011/65/EU                  | Compliant   |
| EU ELV Directive 2000/53/EC                   | Compliant   |
| China RoHS 2 Directive MIIT Order No 32, 2016 | No Restricted Materials Above Threshold   |
| EU REACH Regulation (EC) No. 1907/2006        | Current ECHA Candidate List: JUNE 2024 (241)<br>Candidate List Declared Against: JUNE 2024 (241)<br>Does not contain REACH SVHC |
| Halogen Content                               | Low Halogen - Br, Cl, F, I < 900 ppm per homogenous material. Also BFR/CFR/PVC Free   |
| Solder Process Capability                     | Not applicable for solder process capability  |

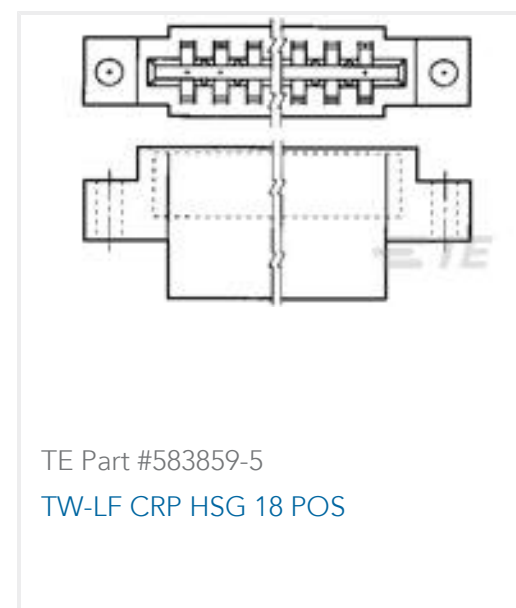
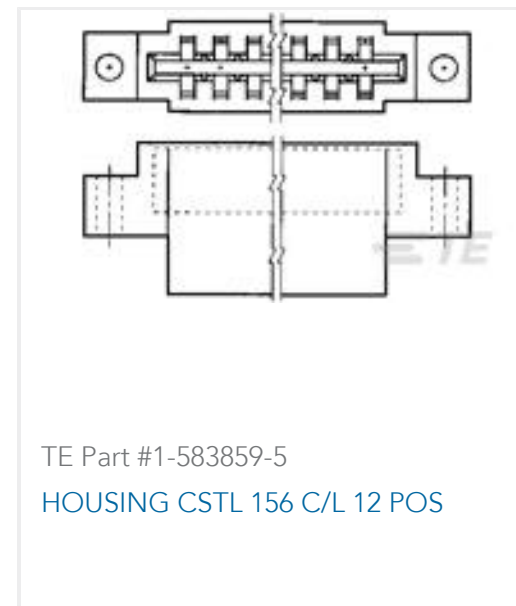
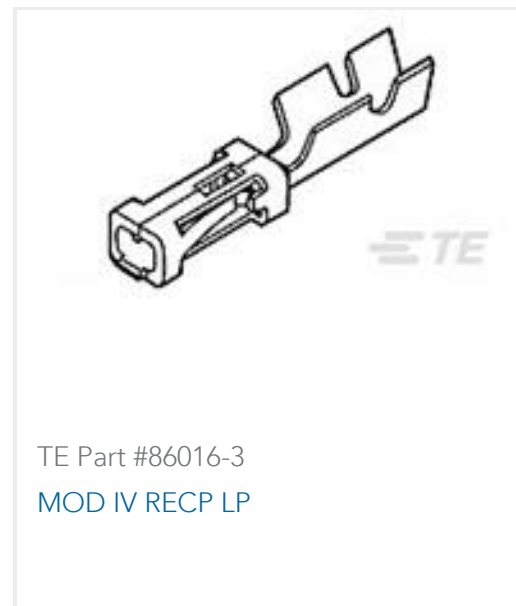
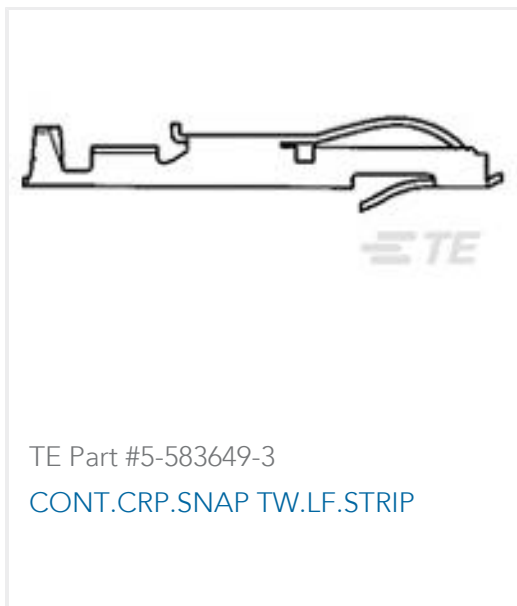
**Product Compliance Disclaimer**

This information is provided based on reasonable inquiry of our suppliers and represents our current actual knowledge based on the information they provided. This information is subject to change. The part numbers that TE has identified as EU RoHS compliant have a maximum concentration of 0.1% by weight in homogenous materials for lead, hexavalent chromium, mercury, PBB, PBDE, DBP, BBP, DEHP, DIBP, and 0.01% for cadmium, or qualify for an exemption to these limits as defined in the Annexes of Directive 2011/65/EU (RoHS2). Finished electrical and electronic equipment products will be CE marked as required by Directive 2011/65/EU. Components may not be CE marked. Additionally, the part numbers that TE has identified as EU ELV compliant have a maximum concentration of 0.1% by weight in homogenous materials for lead, hexavalent chromium, and mercury, and 0.01% for cadmium, or qualify for an exemption to these limits as defined in the Annexes of Directive 2000/53/EC (ELV). Regarding the REACH Regulation, the information TE provides on SVHC in articles for this part number is based on the latest European Chemicals Agency (ECHA) 'Guidance on requirements for substances in articles' posted at this URL: <https://echa.europa.eu/guidance-documents/guidance-on-reach>

**Compatible Parts**



## Customers Also Bought



## Documents

### Product Drawings

FFC,RCPT CONTACT,ROUND WIRE,22

English

### CAD Files

Customer View Model

ENG\_CVM\_CVM\_2-86566-0\_AN.2d\_dxf.zip

English

3D PDF



3D

Customer View Model

[ENG\\_CVM\\_CVM\\_2-86566-0\\_AN.3d\\_igs.zip](#)

English

Customer View Model

[ENG\\_CVM\\_CVM\\_2-86566-0\\_AN.3d\\_stp.zip](#)

English

By downloading the CAD file I accept and agree to the [Terms and Conditions](#) of use.

---

### Product Specifications

[Application Specification](#)

English

[Application Specification](#)

English

---

### Instruction Sheets

[Instruction Sheet \(U.S.\)](#)

English

[Extraction Tool for Flexible Flat Cable \(FFC\)](#)

English

[Instruction Sheet \(U.S.\)](#)

English

[Extraction Tools](#)

English