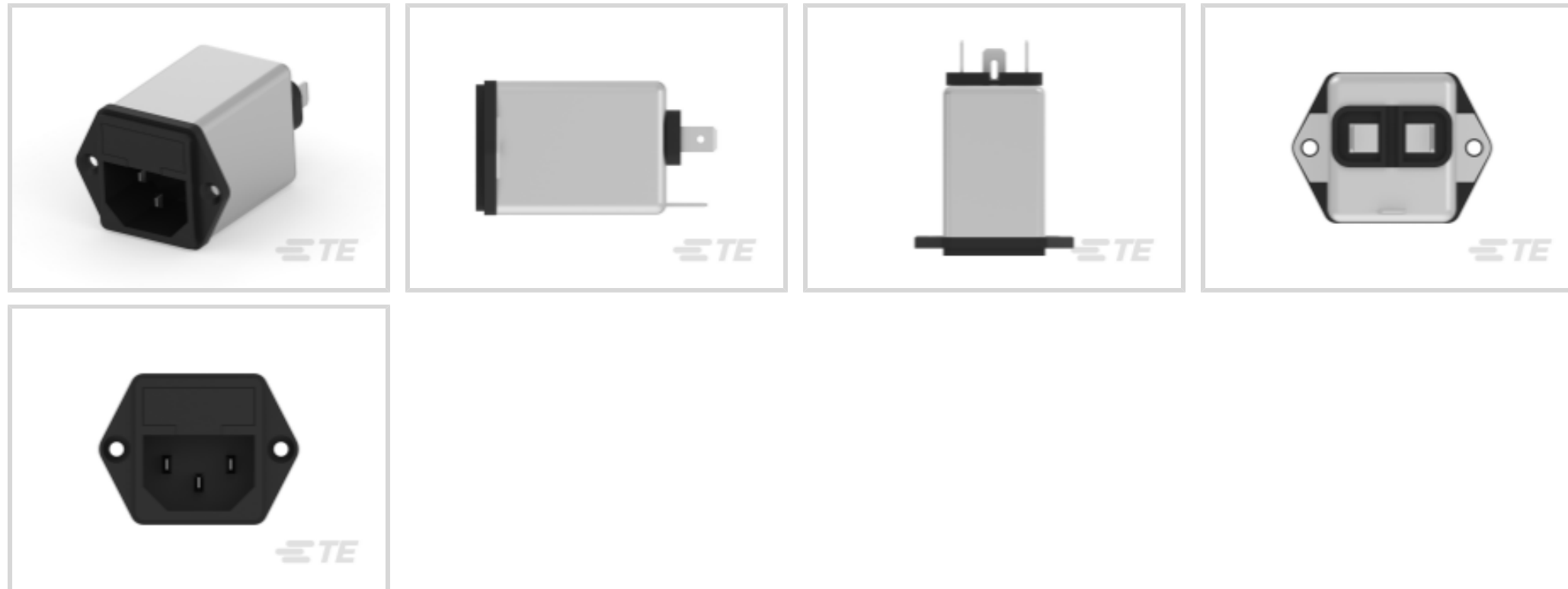




EMI & EMC Solutions > EMI Filters > Power Entry Modules > CORCOM GG SERIES MULTI-FUNCTION INLET FI



Filter Type: **Power Entry Module**

Input Voltage Selection: **None**

Filter Switch Type: **No Switch**

Filter Shield Type: **Complete Can**

Product Orientation: **Right Angle**

[All CORCOM GG SERIES MULTI-FUNCTION INLET FI \(33\)](#)

Features

Mechanical Attachment

Panel Mount Feature Type	Flange
--------------------------	--------

Usage Conditions

Operating Temperature Range	-10 – 40 °C
-----------------------------	-------------

Product Type Features

Ground Choke Option	No
Filter Type	Power Entry Module
Filter Switch Type	No Switch
Output Termination Type	.250" FASTON
Filtering Requirements	Filtered
Filter Connector Type	IEC 320/C-14

Electrical Characteristics

Input Voltage Selection	None
-------------------------	------



Leakage Current (Max) (120VAC, 60Hz)	250 μ A
--------------------------------------	-------------

Leakage Current (Max) (250VAC, 50Hz)	420 μ A
--------------------------------------	-------------

Current Rating	6 A
----------------	-----

Operating Voltage	250 VAC
-------------------	---------

Body Features

Filter Shield Type	Complete Can
--------------------	--------------

Product Orientation	Right Angle
---------------------	-------------

Configuration Features

Fuse Options	Dual
--------------	------

Other

EU RoHS Compliance	Compliant
--------------------	-----------

EU ELV Compliance	Compliant
-------------------	-----------

Product Compliance

[For compliance documentation, visit the product page on TE.com>](#)

EU RoHS Directive 2011/65/EU	Compliant
------------------------------	-----------

EU ELV Directive 2000/53/EC	Compliant
-----------------------------	-----------

China RoHS 2 Directive MIIT Order No 32, 2016	No Restricted Materials Above Threshold
---	---

EU REACH Regulation (EC) No. 1907/2006	Current ECHA Candidate List: JUNE 2024 (241) Candidate List Declared Against: JUNE 2024 (241) Does not contain REACH SVHC
--	---

Halogen Content	Not Low Halogen - contains Br or Cl > 900 ppm.
-----------------	--

Solder Process Capability	Not applicable for solder process capability
---------------------------	--

Product Compliance Disclaimer

This information is provided based on reasonable inquiry of our suppliers and represents our current actual knowledge based on the information they provided. This information is subject to change. The part numbers that TE has identified as EU RoHS compliant have a maximum concentration of 0.1% by weight in homogenous materials for lead, hexavalent chromium, mercury, PBB, PBDE, DBP, BBP, DEHP, DIBP, and 0.01% for cadmium, or qualify for an exemption to these limits as defined in the Annexes of Directive 2011/65/EU (RoHS2). Finished electrical and electronic equipment products will be CE marked as required by Directive 2011/65/EU. Components may not be CE marked. Additionally, the part numbers that TE has identified as EU ELV compliant have a maximum concentration of 0.1% by weight in homogenous materials for lead, hexavalent chromium, and mercury, and 0.01% for cadmium, or qualify for an exemption to these limits as defined in the Annexes of Directive 2000/53/EC (ELV). Regarding the REACH Regulation, the information TE provides on SVHC in articles for this part number is based on the latest European Chemicals Agency (ECHA) 'Guidance on requirements for substances in articles' posted at this URL: <https://echa.europa.eu/guidance-documents/guidance-on-reach>



Compatible Parts



TE Part # CAT-C8114-H519
Multi-Function Inlet, Corcom HG Series



TE Part # CAT-C8114-G34
CORCOM GG SERIES MULTI-FUNCTION INLET FI

Also in the Series | Corcom GG



Power Entry Modules(33)

Customers Also Bought



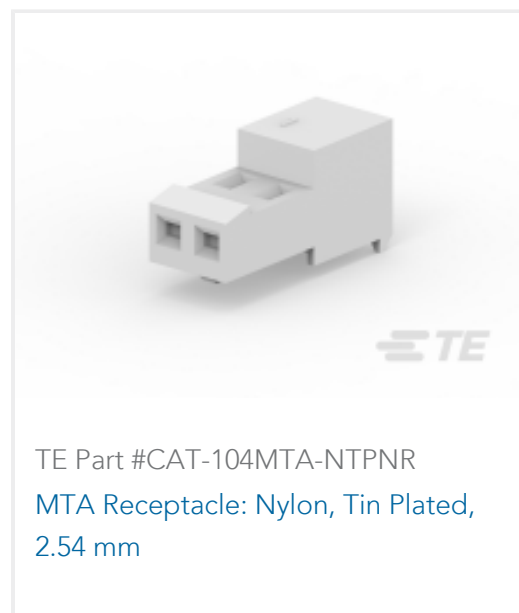
TE Part #5-103168-5
14 MODII HDR DRST SHRD .100CL



TE Part #CAT-104MTA-NYLCC
Nylon PCB Connector Covers: 2.54 mm, MTA 100



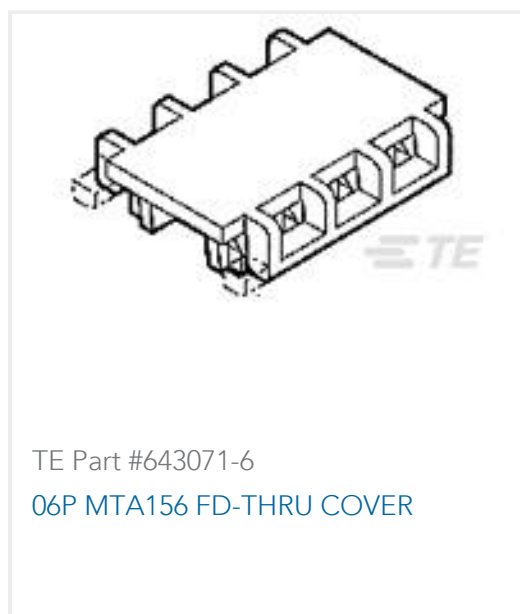
TE Part #4-1609153-2
PS000DMXE=C7088



TE Part #CAT-104MTA-NTPNR
MTA Receptacle: Nylon, Tin Plated, 2.54 mm



TE Part #1-2176406-3
3560 3R3 1%



TE Part #643071-6
06P MTA156 FD-THRU COVER



TE Part #3-640600-6
06P MTA156 CONN ASSY 20AWG LF

Documents

[Product Drawings](#)
[6EGG1-2=F7386D](#)

English

[CAD Files](#)



Customer View Model

[ENG_CVM_2-6609115-3_B.3d_igs.zip](#)

English

Customer View Model

[ENG_CVM_2-6609115-3_B.3d_stp.zip](#)

English

Customer View Model

[ENG_CVM_2-6609115-3_B.2d_dxf.zip](#)

English

[3D PDF](#)

3D

Customer View Model

[ENG_CVM_CVM_2-6609115-3_E.3d_igs.zip](#)

English

Customer View Model

[ENG_CVM_CVM_2-6609115-3_E.3d_stp.zip](#)

English

Customer View Model

[ENG_CVM_CVM_2-6609115-3_E.2d_dxf.zip](#)

English

[3D PDF](#)

3D

By downloading the CAD file I accept and agree to the [Terms and Conditions](#) of use.

Datasheets & Catalog Pages

[1654001_CORCOM_PRODUCT_GUIDE_GG_HG](#)

English

[Corcom Combined Selector Charts](#)

English

[1-1654250-1_CORCOM_EMI_RFI_QRG](#)

English