

2-640250-0 ✓ ACTIVE



SL-156

TE Internal #: 2-640250-0

Housing, Receptacle, Wire-to-Board, 20 Position, 3.96 mm [.156 in]

Centerline, Crimp, 1 Row, Natural, Wire & Cable, Power & Signal,

SL-156

[View on TE.com >](#)

Connectors > PCB Connectors > Wire-to-Board Connectors > Wire-to-Board Connector Assemblies & Housings >

Receptacle Housing: Wire-to-Board, with Mating Alignment, SL156



Connector Product Type: **Housing**

Connector & Housing Type: **Receptacle**

Connector System: **Wire-to-Board**

Number of Positions: **20**

Centerline (Pitch): **3.96 mm [.156 in]**

[All Receptacle Housing: Wire-to-Board, with Mating Alignment, SL156 \(107\)](#)

## Features

### Electrical Characteristics

Operating Voltage	250 VAC
-------------------	---------

### Industry Standards

Compatible With Agency/Standards Products	UL, CSA
UL Flammability Rating	UL 94V-0

### Packaging Features

Packaging Method	Package
Packaging Quantity	1

### Dimensions

Connector Height	6.35 mm
	3.121 in
Wire Size	30 – 18 AWG



### Contact Features

Contact Layout	Inline
Contact Retention Within Housing	Without
Contact Type	Socket
Contact Current Rating (Max)	6.5 A

### Mechanical Attachment

Strain Relief	Without
Panel Mount Feature	Without
Mating Retention Type	Locking Ramp
PCB Mount Alignment	Without
PCB Mount Retention	Without
Mating Retention	With
Connector Mounting Type	Cable Mount (Free-Hanging)

### Housing Features

Housing Material	Nylon - GF
Housing Entry Configuration	Left End Open
Centerline (Pitch)	3.96 mm [.156 in]

### Product Type Features

Connector Product Type	Housing
Connector & Housing Type	Receptacle
Connector System	Wire-to-Board
Sealable	No
Connector & Contact Terminates To	Wire & Cable

### Configuration Features

Number of Positions	20
Number of Rows	1

### Body Features

Primary Product Color	Natural
-----------------------	---------

### Termination Features

Termination Method to Wire & Cable	Crimp
------------------------------------	-------

### Usage Conditions

Operating Temperature Range	-55 – 105 °C [-67 – 221 °F]
-----------------------------	-----------------------------



## Operation/Application

Circuit Application	Power & Signal
---------------------	----------------

## Other

EU RoHS Compliance	Compliant
EU ELV Compliance	Compliant

## Product Compliance

[For compliance documentation, visit the product page on TE.com>](#)

EU RoHS Directive 2011/65/EU	Compliant
EU ELV Directive 2000/53/EC	Compliant
China RoHS 2 Directive MIIT Order No 32, 2016	No Restricted Materials Above Threshold
EU REACH Regulation (EC) No. 1907/2006	Current ECHA Candidate List: JUNE 2024 (241) Candidate List Declared Against: JUNE 2024 (241) Does not contain REACH SVHC
Halogen Content	Low Halogen - Br, Cl, F, I < 900 ppm per homogenous material. Also BFR/CFR/PVC Free
Solder Process Capability	Not applicable for solder process capability

### Product Compliance Disclaimer

This information is provided based on reasonable inquiry of our suppliers and represents our current actual knowledge based on the information they provided. This information is subject to change. The part numbers that TE has identified as EU RoHS compliant have a maximum concentration of 0.1% by weight in homogenous materials for lead, hexavalent chromium, mercury, PBB, PBDE, DBP, BBP, DEHP, DIBP, and 0.01% for cadmium, or qualify for an exemption to these limits as defined in the Annexes of Directive 2011/65/EU (RoHS2). Finished electrical and electronic equipment products will be CE marked as required by Directive 2011/65/EU. Components may not be CE marked. Additionally, the part numbers that TE has identified as EU ELV compliant have a maximum concentration of 0.1% by weight in homogenous materials for lead, hexavalent chromium, and mercury, and 0.01% for cadmium, or qualify for an exemption to these limits as defined in the Annexes of Directive 2000/53/EC (ELV). Regarding the REACH Regulation, the information TE provides on SVHC in articles for this part number is based on the latest European Chemicals Agency (ECHA) 'Guidance on requirements for substances in articles' posted at this URL: <https://echa.europa.eu/guidance-documents/guidance-on-reach>

## Compatible Parts



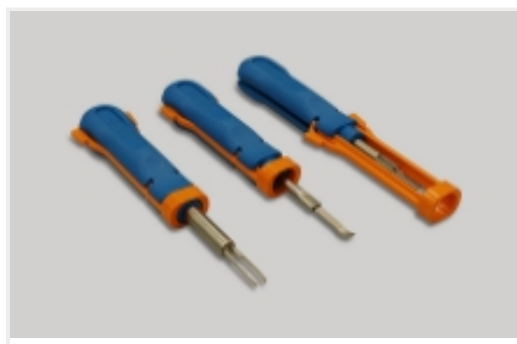
Also in the Series | **SL-156**



Connector Contacts(23)



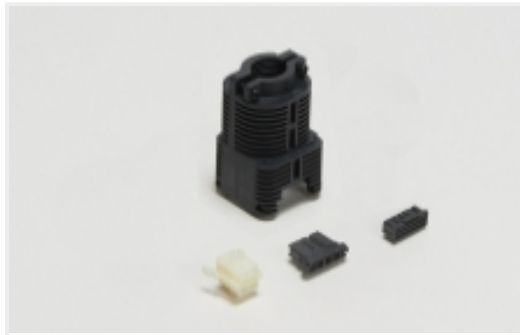
Connector Hardware(4)



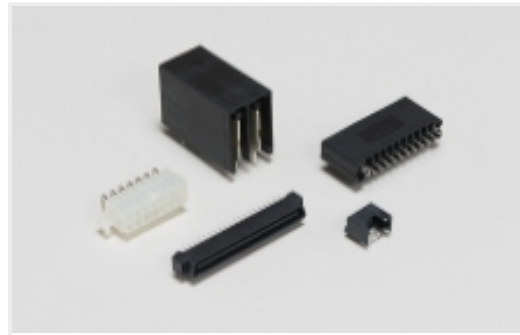
Insertion & Extraction Tools(1)



Power Contacts(13)



Rectangular Connector Housings(10)



Standard Rectangular Connectors(10)



Wire-to-Board Connector Assemblies & Housings(140)

## Customers Also Bought



TE Part #1393143-5  
27E121=SOCKET,KUP,11,SCW,PLE



TE Part #34150  
PG R 22-16 COMM 22-18 MIL 1/4



TE Part #4-1393117-8  
KUP-11D15-5=KU



TE Part #1658643-1  
HDP-20,RCPT,SIZE 1, 9 POSN,CLI



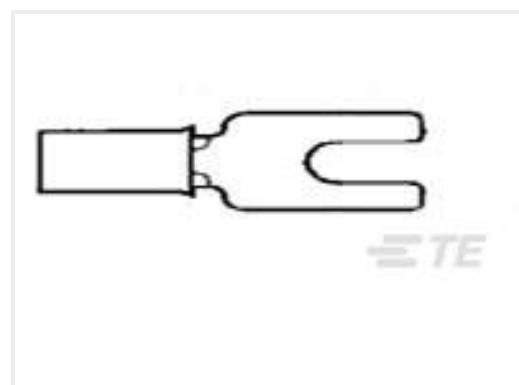
TE Part #1-1393249-1  
W58-XB1A4A-2=W58



TE Part #52410-1  
PIDG SP SPD 22-16COMM22-18MIL8



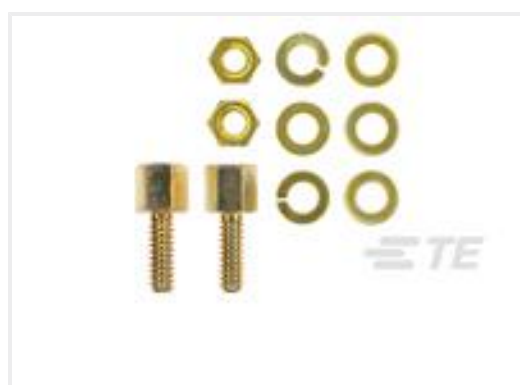
TE Part #34109  
SOLIS R 22-16 COMM 22-18MIL 10



TE Part #34247  
TERMINAL,BUDG SPD 26-22 4



TE Part #60465-2  
250 FASTON TAB TPBR



TE Part #5205817-1  
KIT SCREWLOCK FEMALE

## Documents



### Product Drawings

#### 20P SL156 HSG W/LCK RAMP NATL

English

---

### CAD Files

#### 3D PDF

3D

#### Customer View Model

[ENG\\_CVM\\_CVM\\_2-640250-0\\_AR\\_c-2-640250-0-ar.2d\\_dxf.zip](#)

English

#### Customer View Model

[ENG\\_CVM\\_CVM\\_2-640250-0\\_AR\\_c-2-640250-0-ar.3d\\_igs.zip](#)

English

#### Customer View Model

[ENG\\_CVM\\_CVM\\_2-640250-0\\_AR\\_c-2-640250-0-ar.3d\\_stp.zip](#)

English

By downloading the CAD file I accept and agree to the [Terms and Conditions](#) of use.

---

### Product Specifications

#### Application Specification

English

---

### Agency Approvals

#### UL Report

English