



Connectors > Socket Connectors > Pin Sockets > Mini Spring Sockets: Closed Bottom, 3A



Socket Length: 3.61 mm [.142 in]

PCB Hole Diameter: 1.04 mm [.041 in]

Socket Sleeve Style: Closed Bottom

Wire Size: 28 – 25 AWG

[All Mini Spring Sockets: Closed Bottom, 3A \(10\)](#)

Features

Configuration Features

Compatible With Wire & Cable Type	Discrete Wire
-----------------------------------	---------------

Termination Features

Termination Method to PCB	Through Hole - Press-Fit
Termination Method to Wire & Cable	Solder
Insertion Method	Hand/Semi-Automatic

Body Features

Sleeve Plating Material	Tin
Sleeve Material	Copper

Packaging Features

Packaging Method	Loose Piece, Bag
Packaging Quantity	2000

Other

Spring Material	Beryllium Copper
EU RoHS Compliance	Not Compliant
EU ELV Compliance	Not Compliant

Operation/Application

Solder Process Feature	None
Circuit Application	Power & Signal

Contact Features

Contact Spring Plating Material	Tin
Contact Base Material	Beryllium Copper
Contact Mating Area Plating Material Thickness	2.54 μ m
Contact Spring Plating Thickness	2.54 μ m
Contact Current Rating (Max)	3 A

Product Type Features

Connector & Contact Terminates To	Printed Circuit Board
Socket Sleeve Style	Closed Bottom
Connector System	Cable-to-Board
Sealable	No

Dimensions

PCB Thickness (Recommended)	.79 – 3.18 mm [.031 – .125 in]
Socket Length	3.61 mm [.142 in]
PCB Hole Diameter	1.04 mm [.041 in]
Wire Size	28 – 25 AWG
Mating Pin Diameter Range	.33 – .51 mm [.013 – .02 in]

Product Compliance

[For compliance documentation, visit the product page on TE.com>](#)

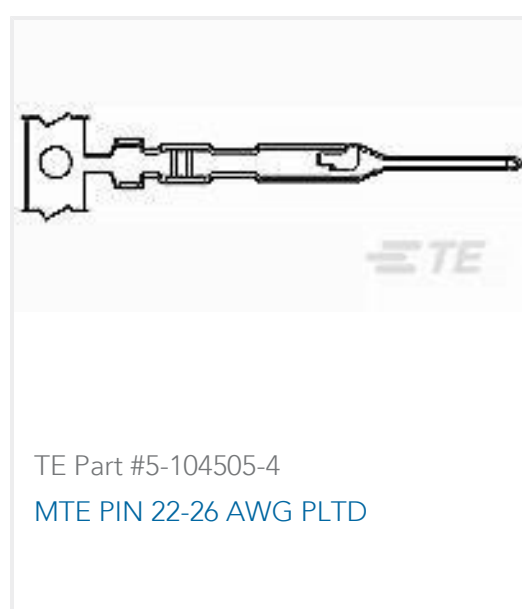
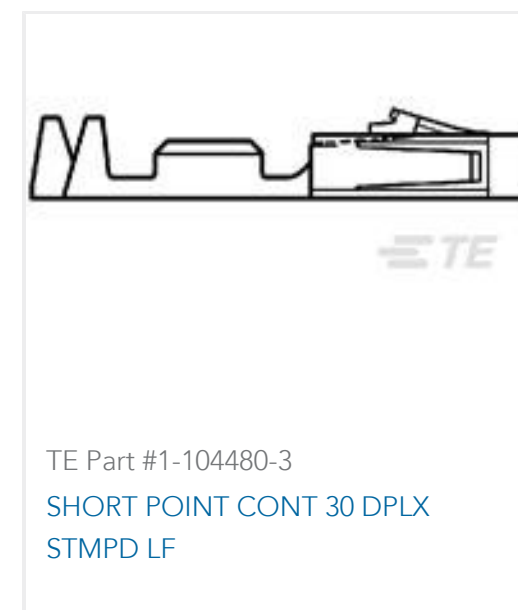
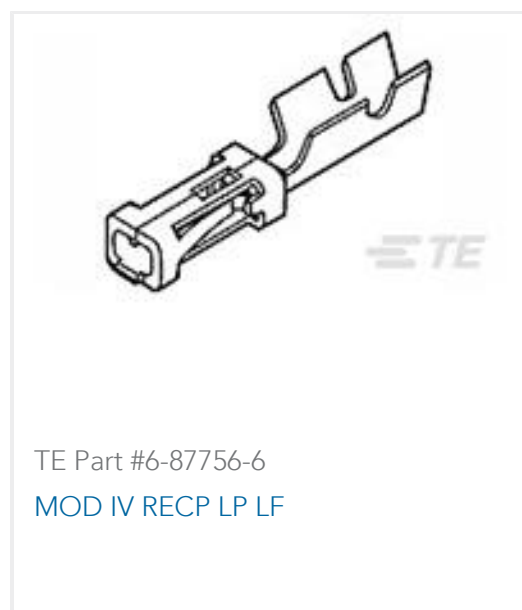
EU RoHS Directive 2011/65/EU	Not Compliant
EU ELV Directive 2000/53/EC	Not Compliant
China RoHS 2 Directive MIIT Order No 32, 2016	Restricted Materials Above Threshold
EU REACH Regulation (EC) No. 1907/2006	Current ECHA Candidate List: JUNE 2024 (241) Candidate List Declared Against: JUL 2021 (219) Does not contain REACH SVHC
Halogen Content	Low Halogen - Br, Cl, F, I < 900 ppm per homogenous material. Also BFR/CFR/PVC Free
Solder Process Capability	Pin-in-Paste capable to 260°C

Product Compliance Disclaimer

This information is provided based on reasonable inquiry of our suppliers and represents our current actual knowledge based on the information they provided. This information is subject to change. The part numbers that TE has identified as EU RoHS compliant have a maximum concentration of 0.1% by weight in homogenous materials for lead, hexavalent

chromium, mercury, PBB, PBDE, DBP, BBP, DEHP, DIBP, and 0.01% for cadmium, or qualify for an exemption to these limits as defined in the Annexes of Directive 2011/65/EU (RoHS2). Finished electrical and electronic equipment products will be CE marked as required by Directive 2011/65/EU. Components may not be CE marked. Additionally, the part numbers that TE has identified as EU ELV compliant have a maximum concentration of 0.1% by weight in homogenous materials for lead, hexavalent chromium, and mercury, and 0.01% for cadmium, or qualify for an exemption to these limits as defined in the Annexes of Directive 2000/53/EC (ELV). Regarding the REACH Regulation, the information TE provides on SVHC in articles for this part number is based on the latest European Chemicals Agency (ECHA) 'Guidance on requirements for substances in articles' posted at this URL: <https://echa.europa.eu/guidance-documents/guidance-on-reach>

Customers Also Bought



Documents

CAD Files

3D PDF

English

Customer View Model

[ENG_CVM_2-330808-7_CB2.2d_dxf.zip](#)

English

Customer View Model

[ENG_CVM_2-330808-7_CB2.3d_igs.zip](#)

English

Customer View Model

[ENG_CVM_2-330808-7_CB2.3d_stp.zip](#)

English

By downloading the CAD file I accept and agree to the [Terms and Conditions](#) of use.

Product Specifications

Application Specification

English

