



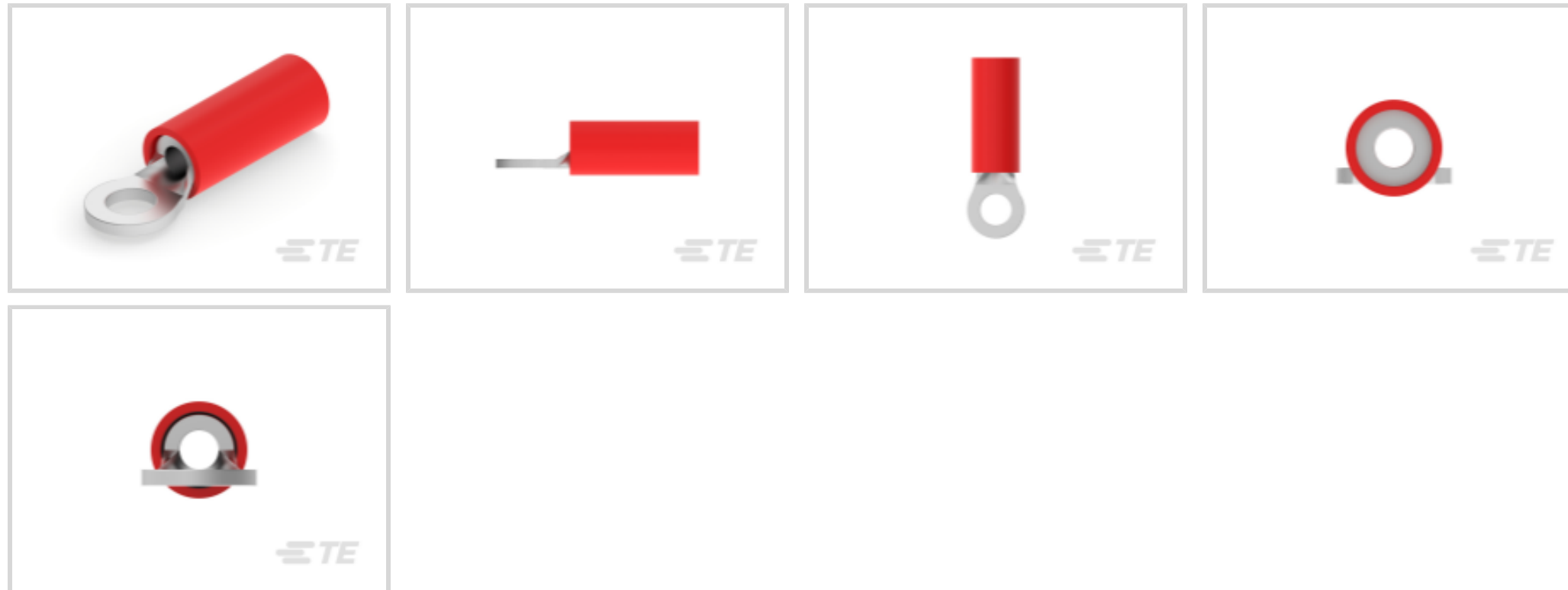
**PIDG**

TE Internal #: 2-320553-2

Closed Ring Tongue Terminal, 22 – 16 AWG, #4 / M2.5 Stud, 3.02 mm [.119 in] Stud Diameter, Closed Barrel, Straight, Tin Plating, Partially Insulated

[View on TE.com >](#)

Terminals & Splices > Ring Terminals > PIDG Ring Tongue Terminals



Ring Terminal Product Type: Closed Ring Tongue Terminal

Wire Size: 509 – 3260 CMA

Stud Size: M2.5, #4

[All PIDG Ring Tongue Terminals \(410\)](#)

**Features**

**Configuration Features**

Number of Holes	1
-----------------	---

**Body Features**

Product Weight	.637 g
----------------	--------

**Mechanical Attachment**

Wire Insulation Support	With
-------------------------	------

**Electrical Characteristics**

Voltage Rating	300 V
----------------	-------

**Industry Standards**

Government Qualified Terminal	No
-------------------------------	----

**Packaging Features**

Packaging Quantity	5000
--------------------	------

Packaging Method	Tape Mounted
------------------	--------------

**Product Type Features**



Ring Terminal Product Type	Closed Ring Tongue Terminal
Stud Size	M2.5, #4
Sealable	No
Wire Insulation Support Retention Type	Insulation Support

### Contact Features

Barrel Type	Closed
Terminal Orientation	Straight
Terminal Plating Material	Tin

### Dimensions

Wire Size	509 – 3260 CMA
Stud Diameter	3.02 mm [.119 in]
Tongue Thickness	.79 mm [.031 in]
Product Length	17.07 mm [.672 in]
Compatible Insulation Diameter (Max)	3.18 mm [.125 in]
Compatible Insulation Diameter Range	2.03 – 3.18 mm [.08 – .125 in]

### Usage Conditions

Insulation Option	Partially Insulated
-------------------	---------------------

### Operation/Application

Compatible With Wire Base Material	Copper
Compatible With Wire Plating Material	Tin

### Other

EU RoHS Compliance	Compliant
EU ELV Compliance	Compliant

### Product Compliance

[For compliance documentation, visit the product page on TE.com>](#)

EU RoHS Directive 2011/65/EU	Compliant
EU ELV Directive 2000/53/EC	Compliant
China RoHS 2 Directive MIIT Order No 32, 2016	No Restricted Materials Above Threshold
EU REACH Regulation (EC) No. 1907/2006	Current ECHA Candidate List: JUNE 2024 (241) Candidate List Declared Against: JUNE 2024 (241) Does not contain REACH SVHC



Halogen Content	Low Halogen - Br, Cl, F, I < 900 ppm per homogenous material. Also BFR/CFR/PVC Free
-----------------	---

Solder Process Capability	Not applicable for solder process capability
---------------------------	--

**Product Compliance Disclaimer**

This information is provided based on reasonable inquiry of our suppliers and represents our current actual knowledge based on the information they provided. This information is subject to change. The part numbers that TE has identified as EU RoHS compliant have a maximum concentration of 0.1% by weight in homogenous materials for lead, hexavalent chromium, mercury, PBB, PBDE, DBP, BBP, DEHP, DIBP, and 0.01% for cadmium, or qualify for an exemption to these limits as defined in the Annexes of Directive 2011/65/EU (RoHS2). Finished electrical and electronic equipment products will be CE marked as required by Directive 2011/65/EU. Components may not be CE marked. Additionally, the part numbers that TE has identified as EU ELV compliant have a maximum concentration of 0.1% by weight in homogenous materials for lead, hexavalent chromium, and mercury, and 0.01% for cadmium, or qualify for an exemption to these limits as defined in the Annexes of Directive 2000/53/EC (ELV). Regarding the REACH Regulation, the information TE provides on SVHC in articles for this part number is based on the latest European Chemicals Agency (ECHA) 'Guidance on requirements for substances in articles' posted at this URL: <https://echa.europa.eu/guidance-documents/guidance-on-reach>

## Compatible Parts

REPRESENTATION ONLY

TE Part # 47386  
DAHT PG PIDG 26-16 ASSY

TE Part # 58423-1  
DIE, RBY IS9252

TE Part # 58433-3  
PRO CR ASSY, RBY IS9252

TE Part # 169404  
CERTI-LOK DIE

## Also in the Series | PIDG

Compression Connectors(17)

Crimp Wire Pins, Tabs & Ferrules(41)

Hand Crimping Tools(2)

Knife Disconnects(11)

Quick Disconnects(38)

Ring Terminals(588)

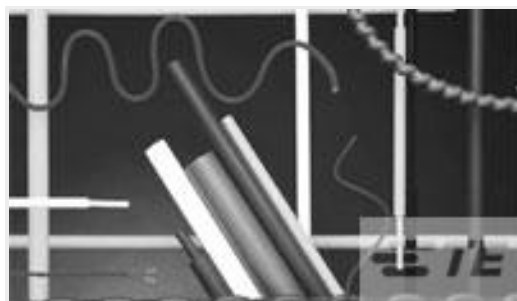
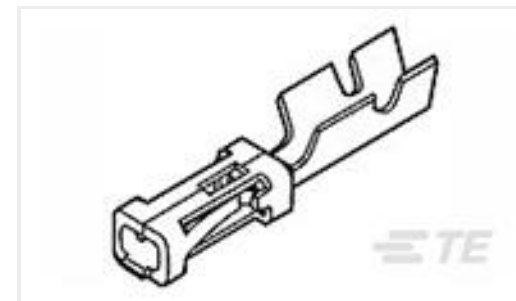
Spade Terminals(228)

Special Purpose Terminals(1)



Splices(41)

## Customers Also Bought

TE Part #5038104002  
DCPT-3/1.5-45-SPTE Part #52936-1  
TERMINAL,PIDG SPR SPD 16-14 8TE Part #2-327958-1  
TERMINAL,PIDG RECT 16-14 6TE Part #5-103171-4  
MOD IV RECP PLTD 30 DPLX LFTE Part #42802-1  
250 FASTON TAB TPBRTE Part #CAT-T3437-H99  
HX-SCE Low Fire Hazard SleevesTE Part #208471-1  
CMC RECPT ASSEMBLY SIZE 28TE Part #350851-7  
UMNL SOK 24-18 AUNIBRTE Part #E21385-000  
B-155-06

## Documents

### Product Drawings

[PIDG R 22-16 COMM 22-18 MIL 4](#)

English

### CAD Files

[3D PDF](#)

3D

### Customer View Model

[ENG\\_CVM\\_CVM\\_2-320553-2\\_Y.2d\\_dxf.zip](#)



English

**Customer View Model**

[ENG\\_CVM\\_CVM\\_2-320553-2\\_Y.3d\\_igs.zip](#)

English

**Customer View Model**

[ENG\\_CVM\\_CVM\\_2-320553-2\\_Y.3d\\_stp.zip](#)

English

**3D PDF**

English

**Customer View Model**

[ENG\\_CVM\\_2-320553-2\\_J.2d\\_dxf.zip](#)

English

**Customer View Model**

[ENG\\_CVM\\_2-320553-2\\_J.3d\\_igs.zip](#)

English

**Customer View Model**

[ENG\\_CVM\\_2-320553-2\\_J.3d\\_stp.zip](#)

English

By downloading the CAD file I accept and agree to the [Terms and Conditions](#) of use.

---

### Instruction Sheets

[Instruction Sheet \(U.S.\)](#)

English

---

### Agency Approvals

[UL Report](#)

English