

2-292249-2 ✓ ACTIVE

### AMP Mini CT Lattice

TE Internal #: 2-292249-2

Connector Kit, Plug, Spring Terminal, Cable-to-Cable, Gold, UL 94V-0, 26 Position, AMP Mini CT Lattice, Standard Rectangular Connectors

[View on TE.com >](#)



Connectors > Rectangular Connectors > Standard Rectangular Connectors



Connector Product Type: **Connector Kit**

Connector & Housing Type: **Plug**

Mating Alignment: **With**

Mating Alignment Type: **Polarization**

Mating Retention: **Without**

### Features

#### Dimensions

Row-to-Row Spacing	5.6 mm, 4 mm
--------------------	--------------

#### Body Features

Connector & Keying Code	A
Primary Product Color	Gray

#### Packaging Features

Packaging Method	Box
Packaging Quantity	120

#### Contact Features

Wire Contact Termination Area Plating Material	Tin
Contact Mating Area Plating Material	Gold

#### Product Type Features

Connector Product Type	Connector Kit
Connector & Housing Type	Plug
Connector System	Cable-to-Cable
Sealable	No
Connector & Contact Terminates To	Wire & Cable

#### Mechanical Attachment

Mating Alignment	With
------------------	------



Mating Alignment Type	Polarization
Mating Retention	Without
Connector Mounting Type	Cable Mount (Free-Hanging)

### Termination Features

Termination Method to Wire & Cable	Spring Terminal
------------------------------------	-----------------

### Configuration Features

Number of Positions	26
Number of Rows	2

### Electrical Characteristics

Operating Voltage	250 VAC
-------------------	---------

### Housing Features

Centerline (Pitch)	4.36 mm, 1.5 mm [.171 in][.059 in]
--------------------	------------------------------------

### Usage Conditions

Operating Temperature Range	-30 – 105 °C [-22 – 221 °F]
-----------------------------	-----------------------------

### Operation/Application

Shielded	No
Circuit Application	Power & Signal

### Industry Standards

UL Flammability Rating	UL 94V-0
------------------------	----------

### Other

EU RoHS Compliance	Compliant
EU ELV Compliance	Compliant

## Product Compliance

[For compliance documentation, visit the product page on TE.com>](#)

EU RoHS Directive 2011/65/EU	Compliant
EU ELV Directive 2000/53/EC	Compliant
China RoHS 2 Directive MIIT Order No 32, 2016	No Restricted Materials Above Threshold
EU REACH Regulation (EC) No. 1907/2006	Current ECHA Candidate List: JUNE 2024 (241) Candidate List Declared Against: JUNE 2022 (224) Does not contain REACH SVHC



Halogen Content	Low Halogen - Br, Cl, F, I < 900 ppm per homogenous material. Also BFR/CFR/PVC Free
Solder Process Capability	Not applicable for solder process capability

Product Compliance Disclaimer

This information is provided based on reasonable inquiry of our suppliers and represents our current actual knowledge based on the information they provided. This information is subject to change. The part numbers that TE has identified as EU RoHS compliant have a maximum concentration of 0.1% by weight in homogenous materials for lead, hexavalent chromium, mercury, PBB, PBDE, DBP, BBP, DEHP, DIBP, and 0.01% for cadmium, or qualify for an exemption to these limits as defined in the Annexes of Directive 2011/65/EU (RoHS2). Finished electrical and electronic equipment products will be CE marked as required by Directive 2011/65/EU. Components may not be CE marked. Additionally, the part numbers that TE has identified as EU ELV compliant have a maximum concentration of 0.1% by weight in homogenous materials for lead, hexavalent chromium, and mercury, and 0.01% for cadmium, or qualify for an exemption to these limits as defined in the Annexes of Directive 2000/53/EC (ELV). Regarding the REACH Regulation, the information TE provides on SVHC in articles for this part number is based on the latest European Chemicals Agency (ECHA) 'Guidance on requirements for substances in articles' posted at this URL: <https://echa.europa.eu/guidance-documents/guidance-on-reach>

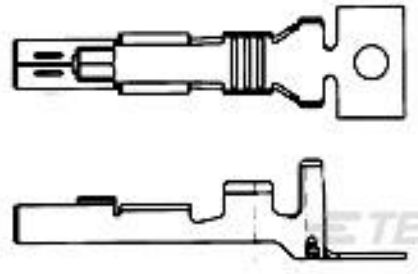
### Compatible Parts



TE Part # 2-353293-2  
1.5MM CT MT REC ASS'Y 2P BLACK




TE Part # CAT-AM7053-C7671  
Mini Common Termination Contacts




TE Part # 1123907-1  
1.5 MINI CT LATTICE POWER REC

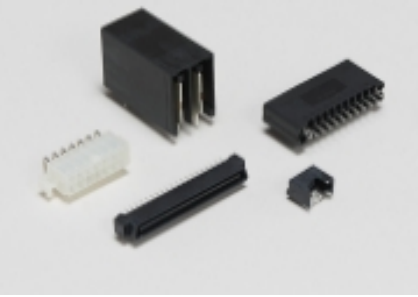
### Also in the Series | AMP Mini CT Lattice



Connector Contacts(2)

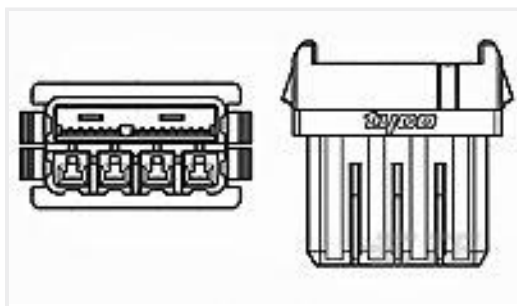


Power Contacts(2)



Standard Rectangular Connectors(14)

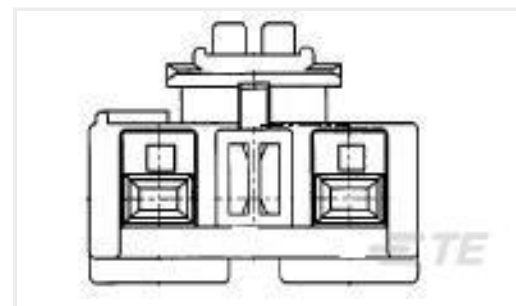
### Customers Also Bought



TE Part #1981536-1  
REC ASSY 1.5 MINI CT SF HYBRID  
DRAWER



TE Part #4-292215-0  
MINI CT SGL RELAY 20P BLACK



TE Part #353440-4  
POWER CARD PLUG 2P 7.92MM YELL



TE Part #2-292328-0  
PLUG ASSY SEQUENTIAL TYPE 24P  
HYBRID DRA



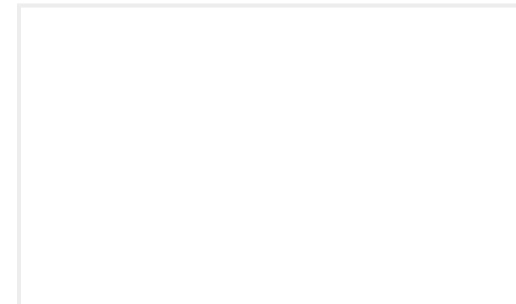
TE Part #3-292215-9  
MINI CT SGL RELAY 19P BLACK



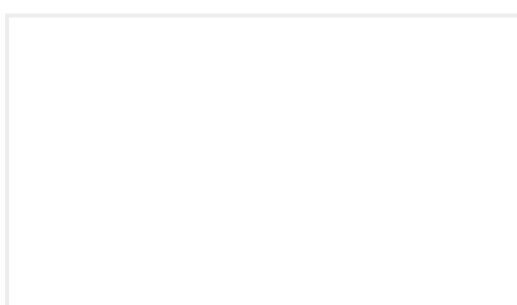
TE Part #CAT-AM7017-H8172  
AMP COMMON TERMINATION  
HOUSINGS



TE Part #2355088-8  
MICRO CT CONN MT REC  
ASSEMBLY 8P



TE Part #2287569-1  
NEW HEATER CONNECTOR, 3POS



TE Part #2201420-1  
3P HEATER CONN. HSG

## Documents

### Product Drawings

#### 1.5 MINI CT LATTICE PLUG/KIT K

English

### CAD Files

#### 3D PDF

English

#### Customer View Model

[ENG\\_CVM\\_2-292249-2\\_A.3d\\_igs.zip](#)

English

#### Customer View Model

[ENG\\_CVM\\_2-292249-2\\_A.3d\\_stp.zip](#)

English

#### Customer View Model

[ENG\\_CVM\\_2-292249-2\\_A.2d\\_dxf.zip](#)

English

By downloading the CAD file I accept and agree to the [Terms and Conditions](#) of use.

## Product Specifications



## Application Specification

English

## AMP Mini CT Hybrid Lattice Connector

English