

2-292246-2 ✓ ACTIVE

### AMP Mini CT Lattice

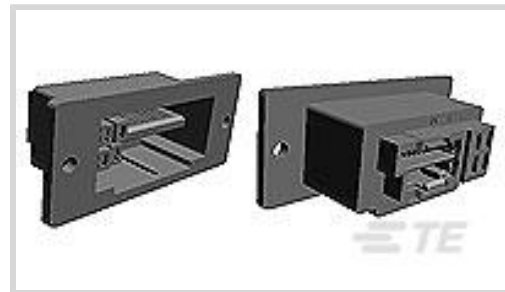
TE Internal #: 2-292246-2

Connector Assembly, Receptacle, Crimp, Cable-to-Cable, Gold Flash over Palladium Nickel, AMP Mini CT Lattice, Standard Rectangular Connectors

[View on TE.com >](#)



Connectors > Rectangular Connectors > Standard Rectangular Connectors



Connector Product Type: **Connector Assembly**

Connector & Housing Type: **Receptacle**

Mating Alignment: **With**

Mating Alignment Type: **Polarization**

Mating Retention: **With**

## Features

### Body Features

Connector & Keying Code	A
Primary Product Color	Gray

### Dimensions

Connector Width	25.4 mm
Row-to-Row Spacing	3 mm, 5.6 mm
Connector Height	25.9 mm
Connector Length	53.7 mm

### Housing Features

Housing Material	Thermoplastic
Centerline (Pitch)	4.36 mm, 1.5 mm [.171 in][.059 in]

### Configuration Features

Number of Power Positions	4
Contacts Preloaded	Yes
Number of Signal Positions	22
Number of Positions	26
Number of Rows	2

### Contact Features

Contact Underplating Material	Nickel
-------------------------------	--------



Wire Contact Termination Area Plating Material	Tin
Contact Mating Area Plating Material	Gold Flash over Palladium Nickel

### Product Type Features

Connector Product Type	Connector Assembly
Connector & Housing Type	Receptacle
Connector System	Cable-to-Cable
Sealable	No
Connector & Contact Terminates To	Wire & Cable

### Mechanical Attachment

Mating Alignment	With
Mating Alignment Type	Polarization
Mating Retention	With
Mating Retention Type	Screw
Connector Mounting Type	Cable Mount (Free-Hanging)

### Termination Features

Termination Method to Wire & Cable	Crimp
------------------------------------	-------

### Electrical Characteristics

Operating Voltage	250 VAC
-------------------	---------

### Usage Conditions

Operating Temperature Range	-30 – 105 °C[-22 – 221 °F]
-----------------------------	----------------------------

### Operation/Application

Shielded	No
Circuit Application	Power & Signal

### Industry Standards

UL Flammability Rating	UL 94V-0
------------------------	----------

### Other

EU RoHS Compliance	Compliant
EU ELV Compliance	Compliant

### Product Compliance

[For compliance documentation, visit the product page on TE.com>](#)

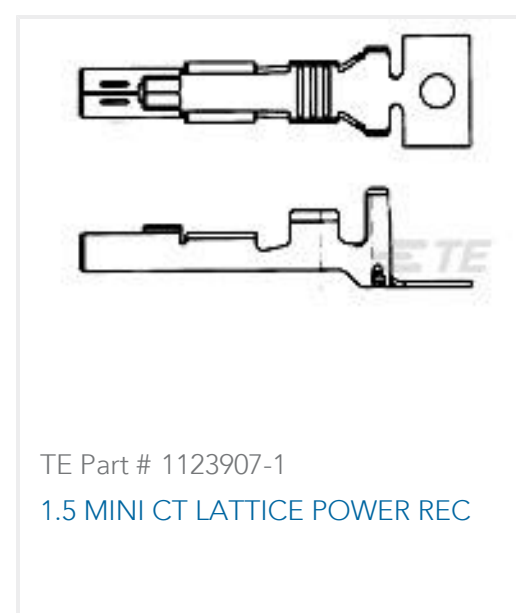


EU RoHS Directive 2011/65/EU	Compliant
EU ELV Directive 2000/53/EC	Compliant
China RoHS 2 Directive MIIT Order No 32, 2016	No Restricted Materials Above Threshold
EU REACH Regulation (EC) No. 1907/2006	Current ECHA Candidate List: JUNE 2024 (241) Candidate List Declared Against: JUNE 2024 (241) Does not contain REACH SVHC
Halogen Content	Not Low Halogen - contains Br or Cl > 900 ppm.
Solder Process Capability	Not applicable for solder process capability

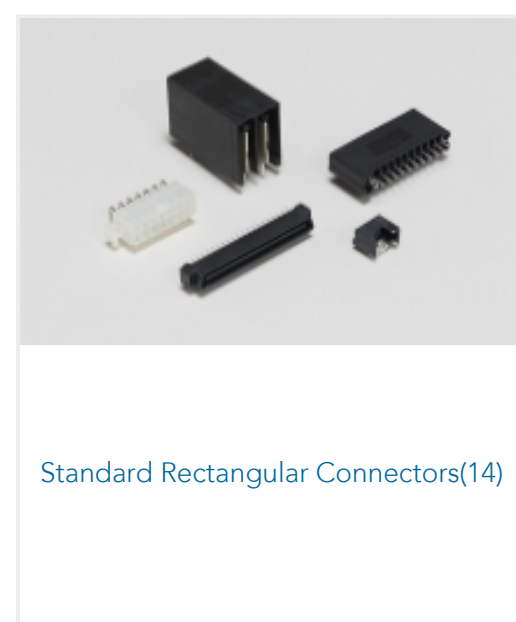
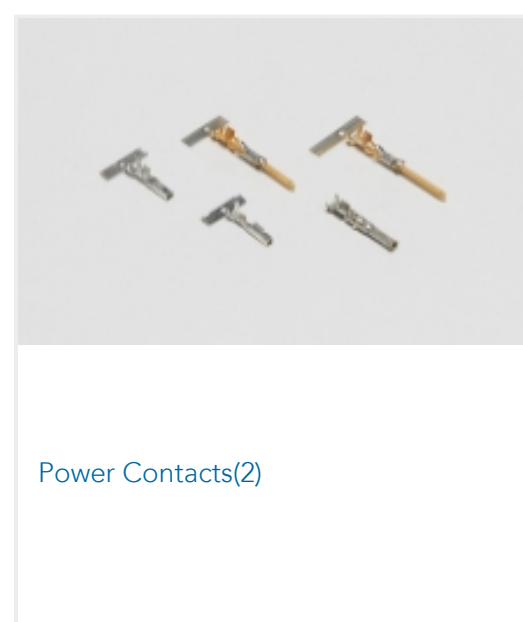
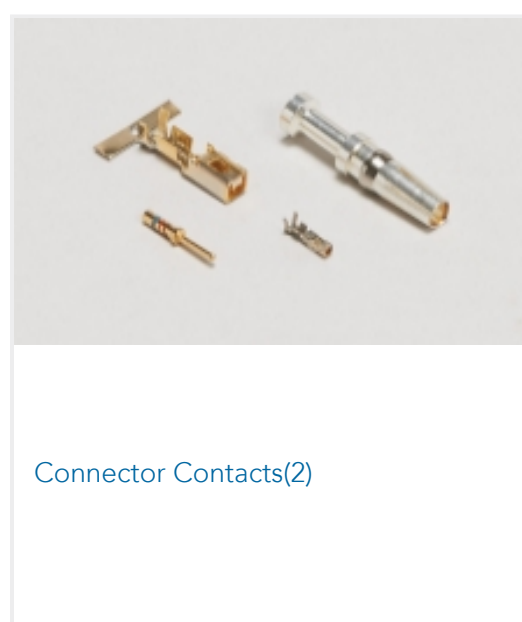
Product Compliance Disclaimer

This information is provided based on reasonable inquiry of our suppliers and represents our current actual knowledge based on the information they provided. This information is subject to change. The part numbers that TE has identified as EU RoHS compliant have a maximum concentration of 0.1% by weight in homogenous materials for lead, hexavalent chromium, mercury, PBB, PBDE, DBP, BBP, DEHP, DIBP, and 0.01% for cadmium, or qualify for an exemption to these limits as defined in the Annexes of Directive 2011/65/EU (RoHS2). Finished electrical and electronic equipment products will be CE marked as required by Directive 2011/65/EU. Components may not be CE marked. Additionally, the part numbers that TE has identified as EU ELV compliant have a maximum concentration of 0.1% by weight in homogenous materials for lead, hexavalent chromium, and mercury, and 0.01% for cadmium, or qualify for an exemption to these limits as defined in the Annexes of Directive 2000/53/EC (ELV). Regarding the REACH Regulation, the information TE provides on SVHC in articles for this part number is based on the latest European Chemicals Agency (ECHA) 'Guidance on requirements for substances in articles' posted at this URL: <https://echa.europa.eu/guidance-documents/guidance-on-reach>

## Compatible Parts



## Also in the Series | AMP Mini CT Lattice



## Customers Also Bought



TE Part #292254-2  
CT RELAY HDR ASSY 2P NAT



TE Part #292254-3  
CT RELAY HDR ASSY 3P NAT



TE Part #292254-7  
CT RELAY HDR ASSY 7P NAT



TE Part #292156-2  
CT RELAY HDR ASSY FREE HANGING



TE Part #292156-6  
CT RELAY HDR ASSY FREE HANGING



TE Part #2-353294-4  
AMP MINI D/R HDR HSG 24P NATU



TE Part #3-353294-4  
AMP MINI D/R HDR HSG 34P NATU



TE Part #3-353294-0  
AMP MINI D/R HDR HSG 30P NATU



TE Part #353908-6  
CT REC HSG 6P CRIMP TYPE WHITE



TE Part #292180-1  
CAP ASS'Y W/O COMMONING TAB  
FO

## Documents

### Product Drawings

#### 1.5 MINI CT LATTICE REC KEY A

English

### CAD Files

#### Customer View Model

[ENG\\_CVM\\_2-292246-2\\_B.3d\\_igs.zip](#)

English

#### Customer View Model

[ENG\\_CVM\\_2-292246-2\\_B.3d\\_stp.zip](#)

English

#### Customer View Model

[ENG\\_CVM\\_2-292246-2\\_B.2d\\_dxf.zip](#)

English

### 3D PDF

English

By downloading the CAD file I accept and agree to the [Terms and Conditions](#) of use.



**Product Specifications**

**Application Specification**

English

**AMP Mini CT Hybrid Lattice Connector**

English