

2-292156-3 ✓ ACTIVE

AMP CT

TE Internal #: 2-292156-3

Connector Assembly, Plug to Plug Relay Header, Wire-to-Board / Wire-to-Wire, 3 Position, 2 mm [.078 in] Centerline, 1 Row, Blue, Signal, AMP CT

[View on TE.com >](#)



Connectors > PCB Connectors > Wire-to-Board Connectors > Wire-to-Board Connector Assemblies & Housings >

CT Relay Header Assembly: Free Hanging



Connector Product Type: **Connector Assembly**

Connector & Housing Type: **Plug to Plug Relay Header**

Connector System: **Wire-to-Board, Wire-to-Wire**

Number of Positions: **3**

Centerline (Pitch): **2 mm [.078 in]**

[All CT Relay Header Assembly: Free Hanging \(17\)](#)

Features

Industry Standards

| | |
|---|---------------|
| Compatible With Agency/Standards Products | UL, CSA |
| UL Flammability Rating | UL 94V-0 |
| Compatible With Approved Standards Products | UL Recognized |

Electrical Characteristics

| | |
|-------------------|-------|
| Operating Voltage | 125 V |
|-------------------|-------|

Packaging Features

| | |
|--------------------|-----------|
| Packaging Method | Bag & Box |
| Packaging Quantity | 700 |

Dimensions

| | |
|-------------------------------|-------------------------------|
| Panel Thickness (Recommended) | .81 – 1.6 mm [.032 – .063 in] |
| Connector Height | 12 mm [.472 in] |
| Connector Length | 9.8 mm [.386 in] |

Contact Features

| | |
|----------------------------------|---------|
| Contact Retention Within Housing | Without |
| Contact Base Material | Brass |
| Contact Type | Pin |



| | |
|------------------------------|-----|
| Contact Current Rating (Max) | 2 A |
|------------------------------|-----|

Mechanical Attachment

| | |
|---------------|---------|
| Strain Relief | Without |
|---------------|---------|

| | |
|---------------------|---------|
| Panel Mount Feature | Without |
|---------------------|---------|

| | |
|------------------|---------|
| Mating Retention | Without |
|------------------|---------|

| | |
|-------------------------|----------------------------|
| Connector Mounting Type | Cable Mount (Free-Hanging) |
|-------------------------|----------------------------|

Housing Features

| | |
|------------------|----------|
| Housing Material | Nylon 66 |
|------------------|----------|

| | |
|--------------------|----------------|
| Centerline (Pitch) | 2 mm [.078 in] |
|--------------------|----------------|

Product Type Features

| | |
|------------------------|--------------------|
| Connector Product Type | Connector Assembly |
|------------------------|--------------------|

| | |
|--------------------------|---------------------------|
| Connector & Housing Type | Plug to Plug Relay Header |
|--------------------------|---------------------------|

| | |
|------------------|-----------------------------|
| Connector System | Wire-to-Board, Wire-to-Wire |
|------------------|-----------------------------|

| | |
|----------|----|
| Sealable | No |
|----------|----|

Configuration Features

| | |
|---------------------|---|
| Number of Positions | 3 |
|---------------------|---|

| | |
|----------------|---|
| Number of Rows | 1 |
|----------------|---|

Body Features

| | |
|-----------------------|------|
| Primary Product Color | Blue |
|-----------------------|------|

Usage Conditions

| | |
|-----------------------------|-----------------------------|
| Operating Temperature Range | -40 – 105 °C [-40 – 221 °F] |
|-----------------------------|-----------------------------|

Operation/Application

| | |
|---------------------|--------|
| Circuit Application | Signal |
|---------------------|--------|

Other

| | |
|--------------------|-----------|
| EU RoHS Compliance | Compliant |
|--------------------|-----------|

| | |
|-------------------|-----------|
| EU ELV Compliance | Compliant |
|-------------------|-----------|

Product Compliance

[For compliance documentation, visit the product page on TE.com>](#)

| | |
|------------------------------|-----------|
| EU RoHS Directive 2011/65/EU | Compliant |
|------------------------------|-----------|

| | |
|-----------------------------|-----------|
| EU ELV Directive 2000/53/EC | Compliant |
|-----------------------------|-----------|



| | |
|---|--|
| China RoHS 2 Directive MIIT Order No 32, 2016 | No Restricted Materials Above Threshold |
| EU REACH Regulation (EC) No. 1907/2006 | Current ECHA Candidate List: JUNE 2024 (241) Candidate List Declared Against: JUNE 2024 (241) SVHC > Threshold: Melamine (3% in Component Part) Article Safe Usage Statements: Wash thoroughly after handling. Do not handle until all safety precautions have been read and understood. Recycle if possible and dispose of the article by following all applicable governmental regulations relevant to your geographic location. |
| Halogen Content | Low Halogen - Br, Cl, F, I < 900 ppm per homogenous material. Also BFR/CFR/PVC Free |
| Solder Process Capability | Not applicable for solder process capability |

Product Compliance Disclaimer

This information is provided based on reasonable inquiry of our suppliers and represents our current actual knowledge based on the information they provided. This information is subject to change. The part numbers that TE has identified as EU RoHS compliant have a maximum concentration of 0.1% by weight in homogenous materials for lead, hexavalent chromium, mercury, PBB, PBDE, DBP, BBP, DEHP, DIBP, and 0.01% for cadmium, or qualify for an exemption to these limits as defined in the Annexes of Directive 2011/65/EU (RoHS2). Finished electrical and electronic equipment products will be CE marked as required by Directive 2011/65/EU. Components may not be CE marked. Additionally, the part numbers that TE has identified as EU ELV compliant have a maximum concentration of 0.1% by weight in homogenous materials for lead, hexavalent chromium, and mercury, and 0.01% for cadmium, or qualify for an exemption to these limits as defined in the Annexes of Directive 2000/53/EC (ELV). Regarding the REACH Regulation, the information TE provides on SVHC in articles for this part number is based on the latest European Chemicals Agency (ECHA) 'Guidance on requirements for substances in articles' posted at this URL: <https://echa.europa.eu/guidance-documents/guidance-on-reach>

Compatible Parts



Also in the Series | **AMP CT**



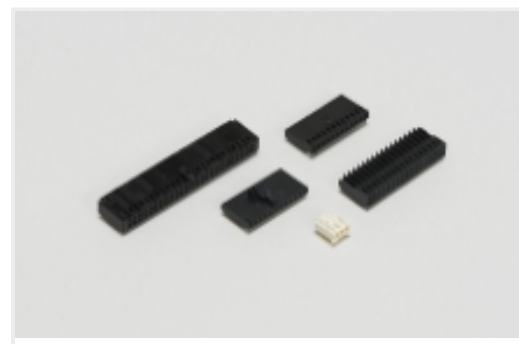
Connector Contacts(8)



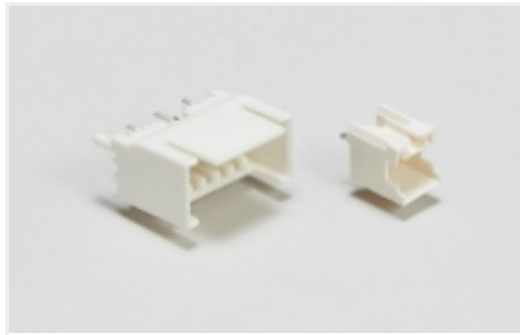
Connector Hardware(46)



PCB Headers & Receptacles(756)



Wire-to-Board Connector Assemblies & Housings(255)



Wire-to-Board Headers & Receptacles (756)

Customers Also Bought



TE Part #3-292215-6
MINI CT SGL RELAY 16P BLACK



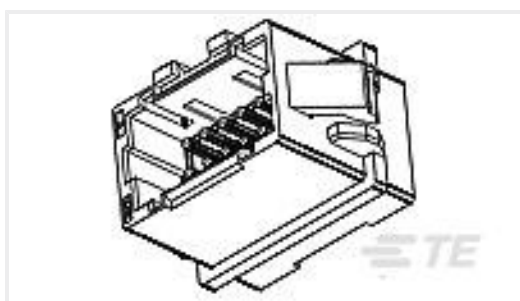
TE Part #3-292215-8
MINI CT SGL RELAY 18P BLACK



TE Part #2-292254-7
CT RELAY HDR ASSY 7P BLUE



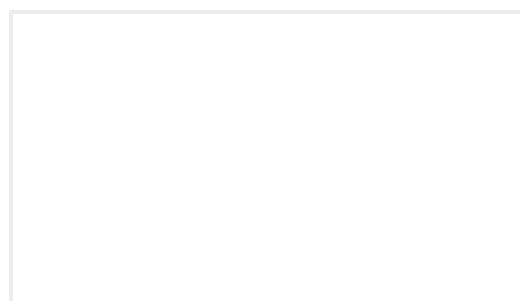
TE Part #3-353294-8
AMP MINI D/R HDR HSG 38P NATU



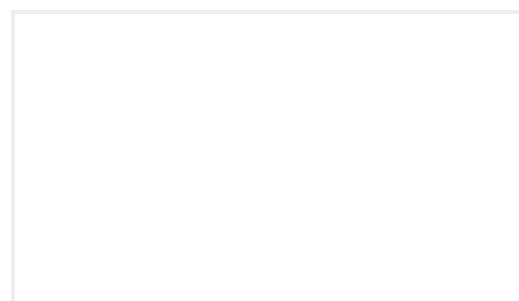
TE Part #3-292216-8
MINI CT D/R RELAY 38P V NAT



TE Part #CAT-AM7017-H8172
AMP COMMON TERMINATION HOUSINGS



TE Part #9-292155-5
SGL HDR PANEL MOUNT ASSY



TE Part #9-292112-4
MT REC ASSY (#26,28)

Documents

Product Drawings

[CT RELAY HDR ASSY FREE HANGING](#)

English

CAD Files

[3D PDF](#)

[3D](#)

[Customer View Model](#)

[ENG_CVM_CVM_2-292156-3_A.2d_dxf.zip](#)



English

Customer View Model

[ENG_CVM_CVM_2-292156-3_A.3d_igs.zip](#)

English

Customer View Model

[ENG_CVM_CVM_2-292156-3_A.3d_stp.zip](#)

English

By downloading the CAD file I accept and agree to the [Terms and Conditions](#) of use.

Product Specifications

[AMP COMMON TERMINATION \(CT\), CONNECTOR, 2mm PITCH, M/T TYPE, LEAD FREE VERSION](#)

Japanese

[Product Specification](#)

Japanese