

2-2350891-1 ✓ ACTIVE

DEUTSCH | DEUTSCH NTSEAL

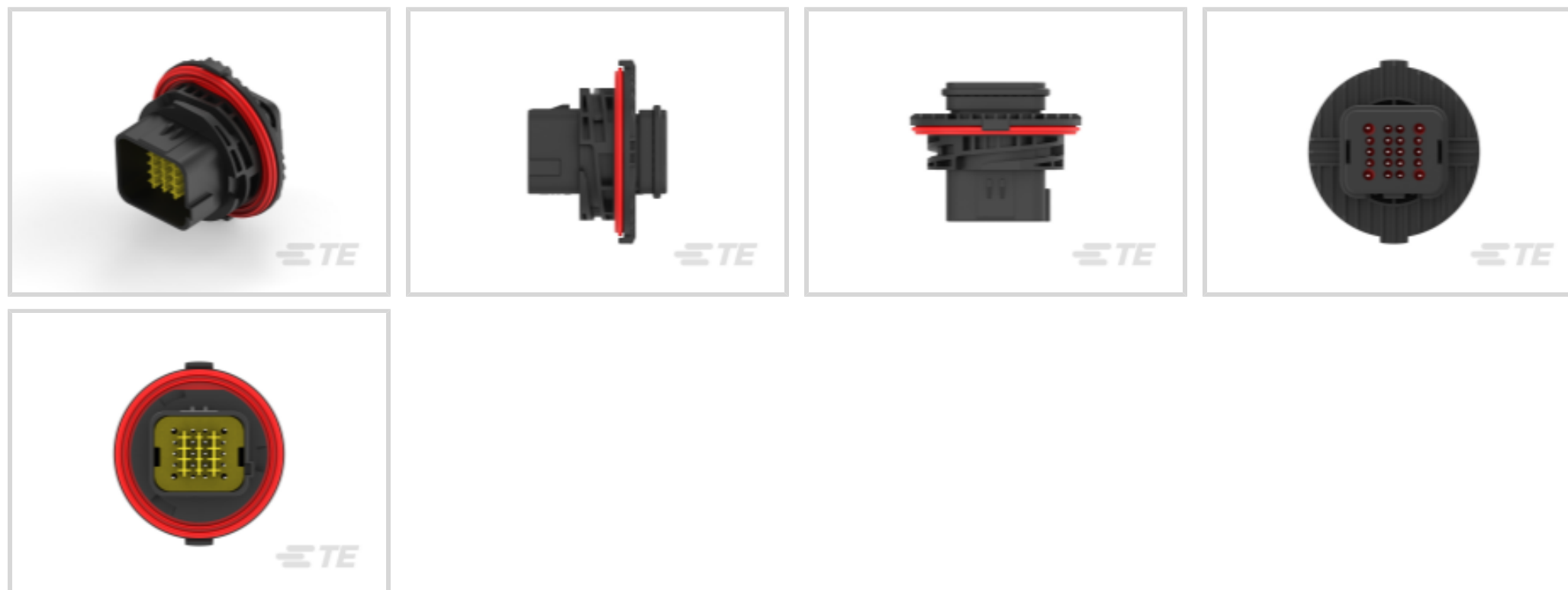
TE Internal #: 2-2350891-1

20 Position Housing, Housing for Male Terminals, Wire-to-Wire, 3.5 mm [.138 in] Centerline, Sealable, Black, Wire & Cable, Power, DEUTSCH NTSEAL

[View on TE.com >](#)



Connectors > Automotive Connectors > Automotive Housings



Number of Positions: 20

Connector & Housing Type: **Housing for Male Terminals**

Mating Pin Diameter: 1 mm, 1.55 mm [.039 in, .061 in]

Connector System: **Wire-to-Wire**

Centerline (Pitch): 3.5 mm [.138 in]

## Features

### Mechanical Attachment

Mating Alignment Type	Keyed
Mating Alignment	With
Connector Mounting Type	Cable Mount (Free-Hanging)

### Contact Features

Contact Size	Size 16, Size 20
Contact Type	Pin
Mating Pin Diameter	1 mm, 1.55 mm [.039 in][.061 in]
Contact Current Rating (Max)	13 A

### Product Type Features

Connector Shape	Rectangular
Mixed & Hybrid Connector	Yes
Connector & Housing Type	Housing for Male Terminals
Connector System	Wire-to-Wire
Sealable	Yes



Primary Locking Feature	Integrated in Housing
-------------------------	-----------------------

Connector & Contact Terminates To	Wire & Cable
-----------------------------------	--------------

### Configuration Features

Number of Positions	20
---------------------	----

Number of Rows	5
----------------	---

### Electrical Characteristics

Nominal Voltage Architecture	24 V
------------------------------	------

### Body Features

Primary Product Color	Black
-----------------------	-------

Connector & Keying Code	A
-------------------------	---

### Housing Features

Centerline (Pitch)	3.5 mm [.138 in]
--------------------	------------------

### Usage Conditions

Operating Temperature (Max)	125 °C [257 °F]
-----------------------------	-----------------

Operating Temperature Range	-40 – 125 °C [-40 – 257 °F]
-----------------------------	-----------------------------

### Operation/Application

Circuit Application	Power
---------------------	-------

### Other

Connector Position Assurance Capable	No
--------------------------------------	----

EU RoHS Compliance	Compliant
--------------------	-----------

EU ELV Compliance	Compliant
-------------------	-----------

### Product Compliance

[For compliance documentation, visit the product page on TE.com>](#)

EU RoHS Directive 2011/65/EU	Compliant
------------------------------	-----------

EU ELV Directive 2000/53/EC	Compliant
-----------------------------	-----------

China RoHS 2 Directive MIIT Order No 32, 2016	No Restricted Materials Above Threshold
---	---

EU REACH Regulation (EC) No. 1907/2006	Current ECHA Candidate List: JUNE 2024 (241) Candidate List Declared Against: JUNE 2024 (241) SVHC > Threshold: Octamethylcyclotetrasiloxane (D4) (.5% in Component Part)
--	--



Dodecamethylcyclhexasiloxane (D6) (.5% in Component Part)

Decamethylcyclopentasiloxane (D5) (.5% in Component Part)

**Article Safe Usage Statements:**

Wash thoroughly after handling. Recycle if possible and dispose of the article by following all applicable governmental regulations relevant to your geographic location.

Halogen Content

Low Halogen - Br, Cl, F, I < 900 ppm per homogenous material. Also BFR/CFR/PVC Free

Solder Process Capability

Not reviewed for solder process capability

**Product Compliance Disclaimer**

This information is provided based on reasonable inquiry of our suppliers and represents our current actual knowledge based on the information they provided. This information is subject to change. The part numbers that TE has identified as EU RoHS compliant have a maximum concentration of 0.1% by weight in homogenous materials for lead, hexavalent chromium, mercury, PBB, PBDE, DBP, BBP, DEHP, DIBP, and 0.01% for cadmium, or qualify for an exemption to these limits as defined in the Annexes of Directive 2011/65/EU (RoHS2). Finished electrical and electronic equipment products will be CE marked as required by Directive 2011/65/EU. Components may not be CE marked. Additionally, the part numbers that TE has identified as EU ELV compliant have a maximum concentration of 0.1% by weight in homogenous materials for lead, hexavalent chromium, and mercury, and 0.01% for cadmium, or qualify for an exemption to these limits as defined in the Annexes of Directive 2000/53/EC (ELV). Regarding the REACH Regulation, the information TE provides on SVHC in articles for this part number is based on the latest European Chemicals Agency (ECHA) 'Guidance on requirements for substances in articles' posted at this URL: <https://echa.europa.eu/guidance-documents/guidance-on-reach>

## Compatible Parts



TE Part # 2373921-1  
CVTY PLUG,PIN DIA 2.5,CVTY DIA,2.5, GRY



TE Part # 2350943-3  
FIX RING,CONN KIT



TE Part # 2357921-1  
BACKSHELL,CONN KIT



TE Part # 2373921-2  
CVTY PLUG,PIN DIA 1.6,CVTY DIA,1.9, YEL



TE Part # 2350890-1  
20POS, HYBRID, SOC HSG ASSY,SLD, COD A



TE Part # 2350943-2  
FIX RING,CONN KIT



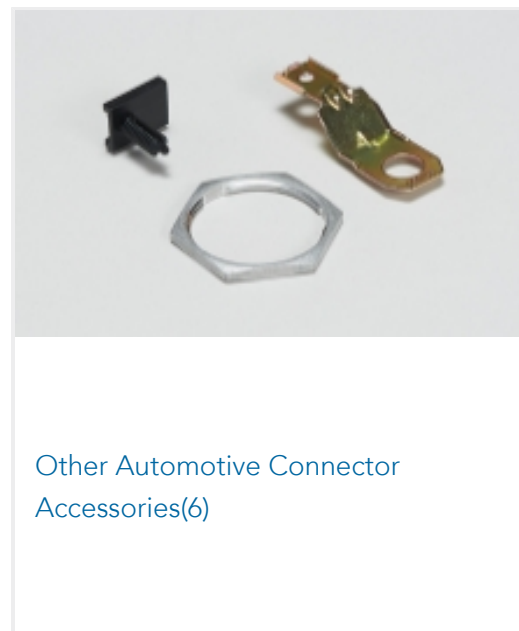
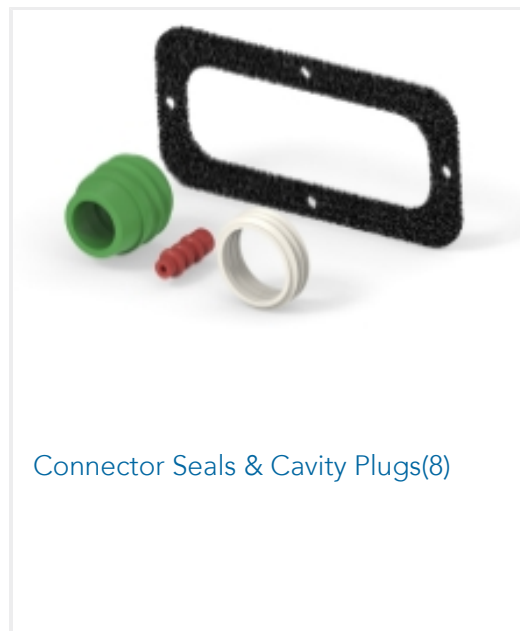
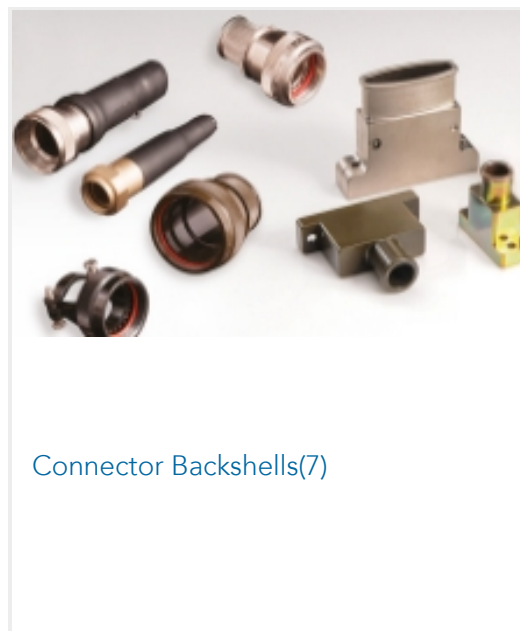
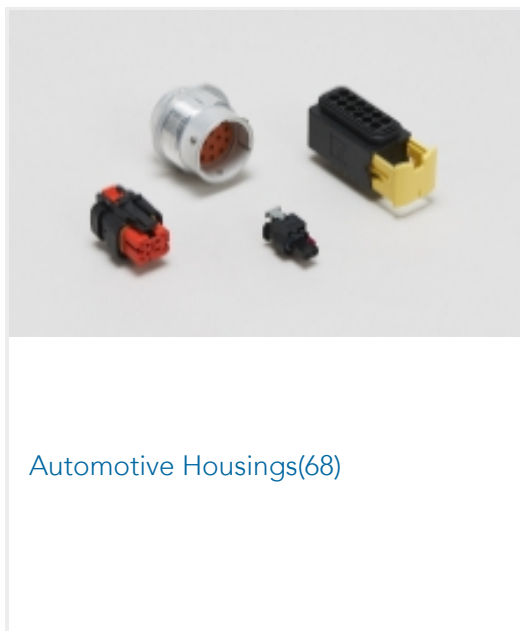
TE Part # 1-2350890-1  
20POS, HYBRID, SOC HSG ASSY,SLD, COD A



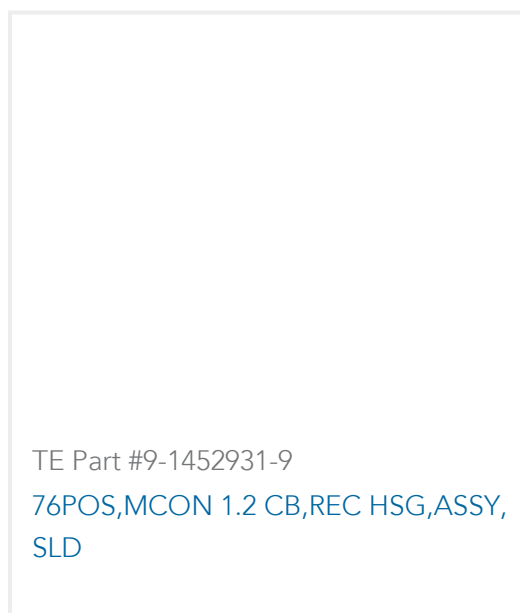
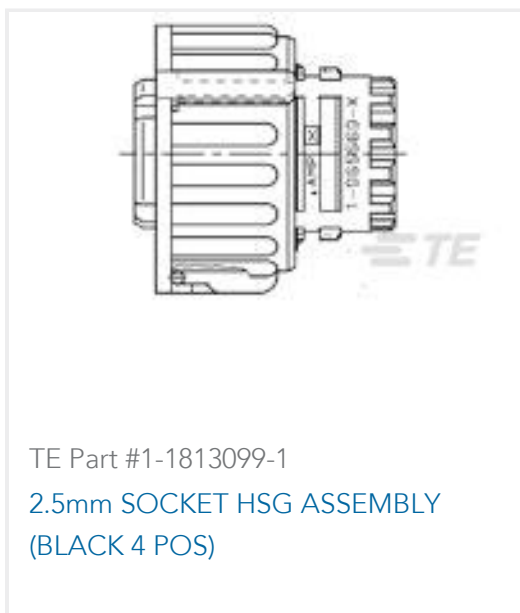
TE Part # 2357302-2  
BACKSHELL,CONN KIT



### Also in the Series | DEUTSCH NTSEAL



### Customers Also Bought





## Documents

### Product Drawings

[20POS, HYBRID, PIN HSG ASSY, SLD, COD A](#)

English

[20POS, HYBRID, PIN HSG ASSY, SLD, COD A](#)

English

---

### CAD Files

[3D PDF](#)

3D

Customer View Model

[ENG\\_CVM\\_CVM\\_2-2350891-1\\_A.2d\\_dxf.zip](#)

English

Customer View Model

[ENG\\_CVM\\_CVM\\_2-2350891-1\\_A.3d\\_igs.zip](#)

English

Customer View Model

[ENG\\_CVM\\_CVM\\_2-2350891-1\\_A.3d\\_stp.zip](#)

English

By downloading the CAD file I accept and agree to the [Terms and Conditions](#) of use.

---

### Datasheets & Catalog Pages

[NTSEAL Sealed Wire-to-Wire Connectors](#)

English

---

### Product Specifications

[Application Specification](#)

English

---

### Agency Approvals

[UL Report](#)

English