



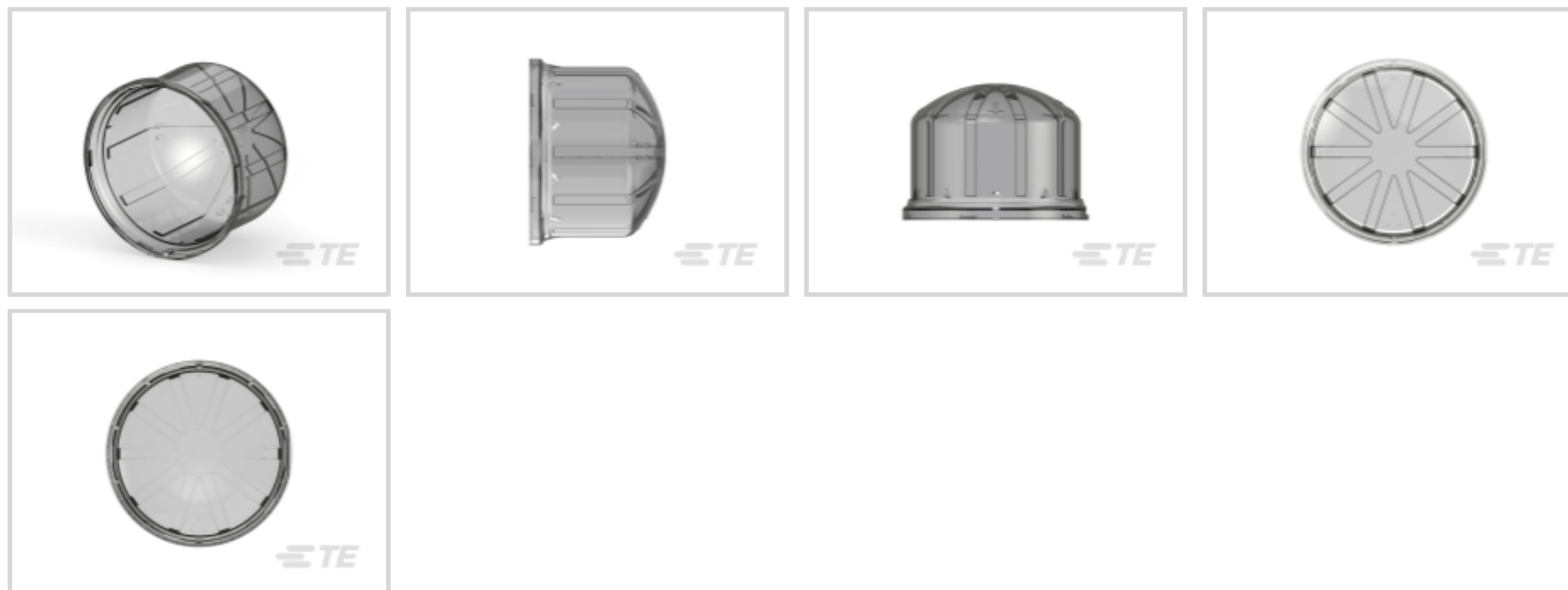
LUMAWISE | LUMAWISE Endurance S

TE Internal #: 2-2328823-3

Connector, Gray, 58.43 mm Height, Keyed / Not Vented, Zhaga, 1 Position, Sealable, -40 – 90 °C [-40 – 194 °F], LUMAWISE Endurance S

[View on TE.com >](#)

Connectors > Lighting Connectors > Street Lighting Controls > Street Lighting Connectors



Lighting Product Type: **Connector**

Primary Product Color: **Gray**

Product Height: **58.43 mm**

Lighting Connector Features Included: **Keyed, Not Vented**

Compatible With Agency/Standards Products: **Zhaga**

**Features**

**Industry Standards**

IP Rating	IP66
Compatible With Agency/Standards Products	Zhaga

**Dimensions**

Product Diameter	80 mm
Product Height	58.43 mm

**Product Type Features**

Lighting Product Type	Connector
Sealable	Yes

**Body Features**

Primary Product Color	Gray
-----------------------	------

**Configuration Features**

Lighting Connector Features Included	Keyed, Not Vented
Number of Positions	1



### Usage Conditions

Operating Temperature Range	-40 – 90 °C[-40 – 194 °F]
-----------------------------	---------------------------

### Other

EU RoHS Compliance	Compliant
EU ELV Compliance	Compliant

### Product Compliance

[For compliance documentation, visit the product page on TE.com>](#)

EU RoHS Directive 2011/65/EU	Compliant
EU ELV Directive 2000/53/EC	Compliant
China RoHS 2 Directive MIIT Order No 32, 2016	No Restricted Materials Above Threshold
EU REACH Regulation (EC) No. 1907/2006	Current ECHA Candidate List: JUNE 2024 (241) Candidate List Declared Against: JUNE 2024 (241) SVHC > Threshold: UV-329 (.5% in Component Part) <b>Article Safe Usage Statements:</b> Wash thoroughly after handling. Do not handle until all safety precautions have been read and understood. Recycle if possible and dispose of the article by following all applicable governmental regulations relevant to your geographic location.
Halogen Content	Low Halogen - Br, Cl, F, I < 900 ppm per homogenous material. Also BFR/CFR/PVC Free
Solder Process Capability	Not reviewed for solder process capability

#### Product Compliance Disclaimer

This information is provided based on reasonable inquiry of our suppliers and represents our current actual knowledge based on the information they provided. This information is subject to change. The part numbers that TE has identified as EU RoHS compliant have a maximum concentration of 0.1% by weight in homogenous materials for lead, hexavalent chromium, mercury, PBB, PBDE, DBP, BBP, DEHP, DIBP, and 0.01% for cadmium, or qualify for an exemption to these limits as defined in the Annexes of Directive 2011/65/EU (RoHS2). Finished electrical and electronic equipment products will be CE marked as required by Directive 2011/65/EU. Components may not be CE marked. Additionally, the part numbers that TE has identified as EU ELV compliant have a maximum concentration of 0.1% by weight in homogenous materials for lead, hexavalent chromium, and mercury, and 0.01% for cadmium, or qualify for an exemption to these limits as defined in the Annexes of Directive 2000/53/EC (ELV). Regarding the REACH Regulation, the information TE provides on SVHC in articles for this part number is based on the latest European Chemicals Agency (ECHA) 'Guidance on requirements for substances in articles' posted at this URL: <https://echa.europa.eu/guidance-documents/guidance-on-reach>

### Compatible Parts

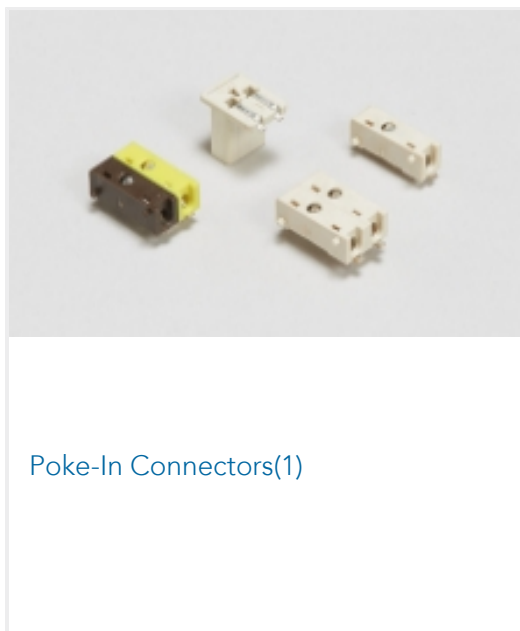


TE Part # 2213831-3  
BASE ASSY, 80MM, SEALED

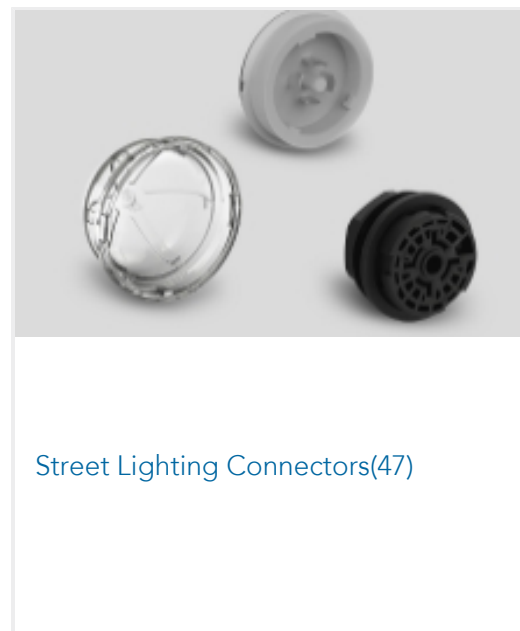


TE Part # 2213831-2  
BASE ASSY, 80MM, VENTED, SEALED

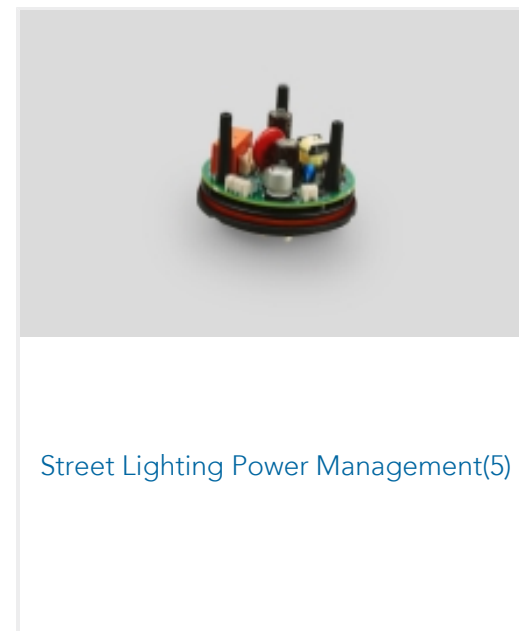
Also in the Series | **LUMAWISE Endurance S**



Poke-In Connectors(1)

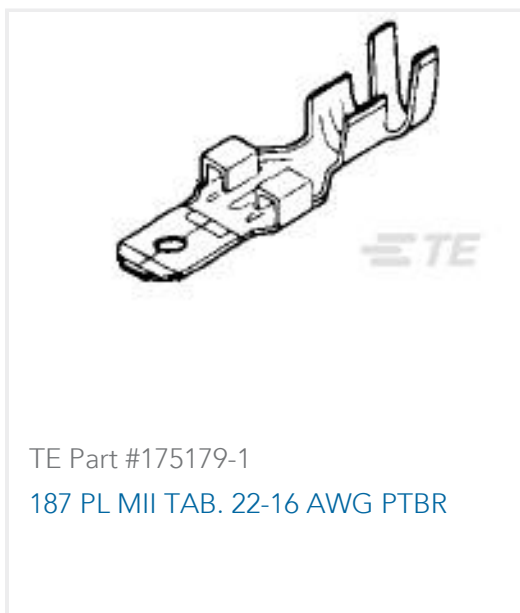


Street Lighting Connectors(47)



Street Lighting Power Management(5)

Customers Also Bought



TE Part #175179-1  
187 PL MII TAB. 22-16 AWG PTBR



TE Part #2328823-1  
LUMAWISE S 80MM DIA DOME  
SMOKE GRAY LOW



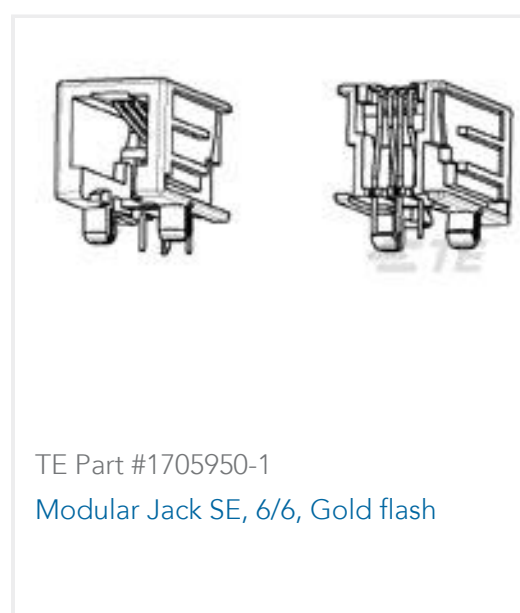
TE Part #4-2176347-1  
CRGCQ 2010 22K 1%



TE Part #1571626-2  
TACT,SMT,GULL WING,50GF,T&R



TE Part #2213831-2  
BASE ASSY, 80MM, VENTED, SEALED



TE Part #1705950-1  
Modular Jack SE, 6/6, Gold flash



TE Part #2213858-1  
RECEPTACLE ASSEM., LUMAWISE  
ENDURANCE S



TE Part #6-2176347-1  
CRGCQ 2010 1M0 1%



TE Part #170326-1  
187 PL MKII REC. 18-14AWG PTBR



TE Part #1676639-1  
RN 0805 10R 0.1% 10PPM CUT  
LENGTH



## Documents

### Product Drawings

[LUMAWISE S 80MM DIA DOME SMOKE GRAY TALL](#)

English

---

### CAD Files

#### 3D PDF

3D

#### Customer View Model

[ENG\\_CVM\\_CVM\\_2-2328823-3\\_C.2d\\_dxf.zip](#)

English

#### Customer View Model

[ENG\\_CVM\\_CVM\\_2-2328823-3\\_C.3d\\_igs.zip](#)

English

#### Customer View Model

[ENG\\_CVM\\_CVM\\_2-2328823-3\\_C.3d\\_stp.zip](#)

English

By downloading the CAD file I accept and agree to the [Terms and Conditions](#) of use.

---

### Product Specifications

#### Application Specification

English

---

### Agency Approvals

[UL\\_EU\\_CERT\\_EN\\_61984\\_UL\\_EU\\_01778\\_M1\\_C1](#)

English

[CB\\_CERT\\_IEC\\_61984\\_US\\_34131\\_M1\\_UL\\_C1](#)

English

[CB\\_CERT\\_US\\_34131\\_M1\\_UL\\_4788988643\\_TR\\_C1](#)

English