

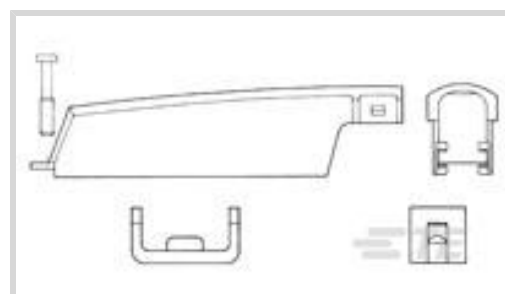
2-229910-1 ✓ ACTIVE

CHAMP

TE Internal #: 2-229910-1

TE Internal Description: CLAMP, CABLE

[View on TE.com >](#)



## Product Compliance

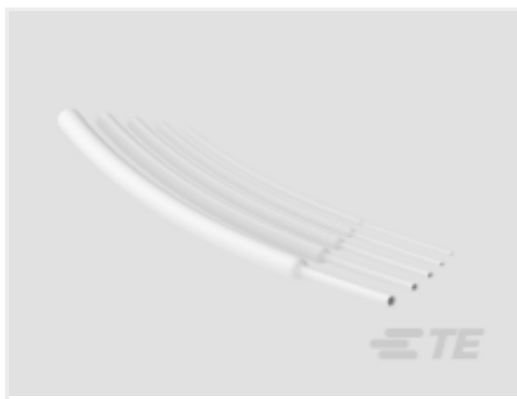
[For compliance documentation, visit the product page on TE.com>](#)

EU RoHS Directive 2011/65/EU	Compliant
EU ELV Directive 2000/53/EC	Compliant
China RoHS 2 Directive MIIT Order No 32, 2016	No Restricted Materials Above Threshold
EU REACH Regulation (EC) No. 1907/2006	Current ECHA Candidate List: JUNE 2024 (241) Candidate List Declared Against: JUNE 2024 (241) Does not contain REACH SVHC
Halogen Content	Not Low Halogen - contains Br or Cl > 900 ppm.
Solder Process Capability	Not applicable for solder process capability

### Product Compliance Disclaimer

This information is provided based on reasonable inquiry of our suppliers and represents our current actual knowledge based on the information they provided. This information is subject to change. The part numbers that TE has identified as EU RoHS compliant have a maximum concentration of 0.1% by weight in homogenous materials for lead, hexavalent chromium, mercury, PBB, PBDE, DBP, BBP, DEHP, DIBP, and 0.01% for cadmium, or qualify for an exemption to these limits as defined in the Annexes of Directive 2011/65/EU (RoHS2). Finished electrical and electronic equipment products will be CE marked as required by Directive 2011/65/EU. Components may not be CE marked. Additionally, the part numbers that TE has identified as EU ELV compliant have a maximum concentration of 0.1% by weight in homogenous materials for lead, hexavalent chromium, and mercury, and 0.01% for cadmium, or qualify for an exemption to these limits as defined in the Annexes of Directive 2000/53/EC (ELV). Regarding the REACH Regulation, the information TE provides on SVHC in articles for this part number is based on the latest European Chemicals Agency (ECHA) 'Guidance on requirements for substances in articles' posted at this URL: <https://echa.europa.eu/guidance-documents/guidance-on-reach>

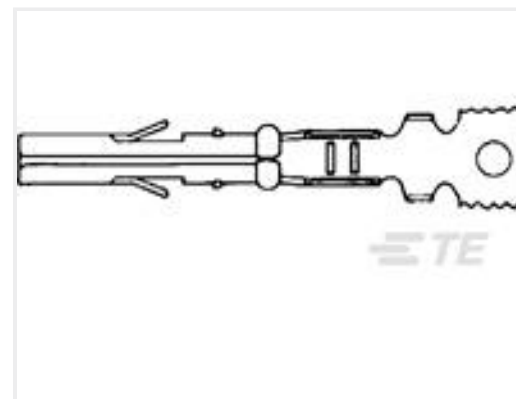
## Customers Also Bought



TE Part #NB20234001  
VERSAFIT-1/8-9-SP



TE Part #5229911-1  
SCREW,PAN HD,"CHAMP  
PACKAGING



TE Part #641294-2  
MR RECPT 26-18 AUNI/AUPHBZ



TE Part #745508-8  
FERRULE SPLIT RING, HD



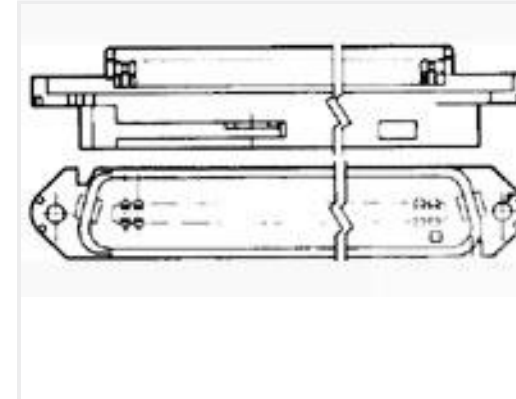
TE Part #66332-8  
III+ PIN,24-20,30AU/FL,STRIP



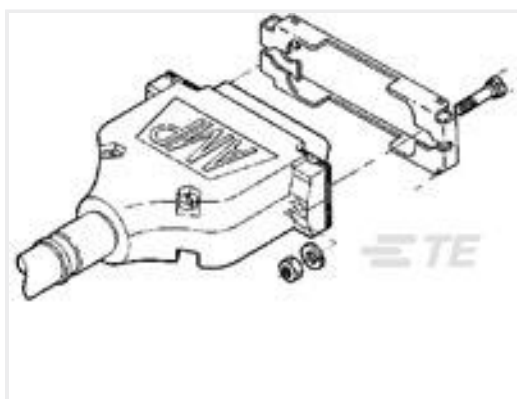
TE Part #5-102920-1  
MOD IV RECP PLTD 30 DPLX LF



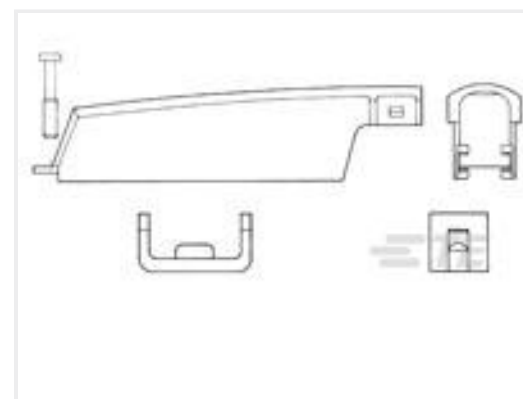
TE Part #2151022-1  
OCEAN\_2.0\_APPLICATOR-S-  
055F070F-RSM



TE Part #552390-1  
ASSY, PLUG, 50 POS, E SLOT



TE Part #5745584-1  
UNIV SLIDLTC KIT SZ 3



TE Part #229909-1  
COVER,TAPERED,90DEG"CHAMP  
PKG"

## Documents

### CAD Files

#### 3D PDF

3D

#### Customer View Model

[ENG\\_CVM\\_CVM\\_2-229910-1\\_AK.2d\\_dxf.zip](#)

English

#### Customer View Model

[ENG\\_CVM\\_CVM\\_2-229910-1\\_AK.3d\\_igs.zip](#)

English

#### Customer View Model

[ENG\\_CVM\\_CVM\\_2-229910-1\\_AK.3d\\_stp.zip](#)

English

By downloading the CAD file I accept and agree to the [Terms and Conditions](#) of use.