

2-2232346-1 ✓ ACTIVE

SCSI Connectors

TE Internal #: 2-2232346-1

Plug, Cable-to-Board, 20 Position, Size 24 Contact Size, 1.27 mm [.05 in] Centerline, Wire & Cable, Signal, SCSI Connectors, Solder D-Sub Connectors

[View on TE.com >](#)



Connectors > D-Shaped Connectors > D-Sub Connectors > Solder D-Sub Connectors



Connector & Housing Type: **Plug**

Connector System: **Cable-to-Board**

Number of Positions: **20**

Contact Size: **Size 24**

Mating Retention: **Without**

Features

Industry Standards

UL Flammability Rating	UL 94V-0
------------------------	----------

Termination Features

Termination Method to Wire & Cable	Solder
------------------------------------	--------

Body Features

Cable Exit Angle	180°
------------------	------

Primary Product Color	Black
-----------------------	-------

Insert Material	PBT
-----------------	-----

Packaging Features

Packaging Method	Tray
------------------	------

Dimensions

Wire Size	30 – 24 AWG
-----------	-------------

Housing Features

Housing Material	Thermoplastic
------------------	---------------



Shell Material	Steel
Centerline (Pitch)	1.27 mm [.05 in]

Contact Features

Contact Underplating Material	Nickel
Contact Mating Area Plating Material	Gold
Contact Base Material	Phosphor Bronze
PCB Contact Termination Area Plating Material	Tin
	30 µin
Contact Type	Pin
Contact Options	Installed
Contact Size	Size 24
Contact Current Rating (Max)	1 A

Product Type Features

Shell Material Configuration	All Plastic
Connector & Housing Type	Plug
Connector System	Cable-to-Board
Connector & Contact Terminates To	Wire & Cable

Configuration Features

Number of Positions	20
---------------------	----

Mechanical Attachment

Mating Retention	Without
Mating Retention Type	Screw
Connector Mounting Type	Cable Mount (Free-Hanging)

Usage Conditions

Operating Temperature Range	-40 – 85 °C [-40 – 185 °F]
-----------------------------	----------------------------

Operation/Application

Circuit Application	Signal
---------------------	--------

Other

EU RoHS Compliance	Compliant
EU ELV Compliance	Compliant

Product Compliance



[For compliance documentation, visit the product page on TE.com>](#)

EU RoHS Directive 2011/65/EU	Compliant
EU ELV Directive 2000/53/EC	Compliant
China RoHS 2 Directive MIIT Order No 32, 2016	No Restricted Materials Above Threshold
EU REACH Regulation (EC) No. 1907/2006	Current ECHA Candidate List: JUNE 2024 (241) Candidate List Declared Against: JUNE 2024 (241) Does not contain REACH SVHC
Halogen Content	Not Low Halogen - contains Br or Cl > 900 ppm.
Solder Process Capability	Not reviewed for solder process capability


Product Compliance Disclaimer

This information is provided based on reasonable inquiry of our suppliers and represents our current actual knowledge based on the information they provided. This information is subject to change. The part numbers that TE has identified as EU RoHS compliant have a maximum concentration of 0.1% by weight in homogenous materials for lead, hexavalent chromium, mercury, PBB, PBDE, DBP, BBP, DEHP, DIBP, and 0.01% for cadmium, or qualify for an exemption to these limits as defined in the Annexes of Directive 2011/65/EU (RoHS2). Finished electrical and electronic equipment products will be CE marked as required by Directive 2011/65/EU. Components may not be CE marked. Additionally, the part numbers that TE has identified as EU ELV compliant have a maximum concentration of 0.1% by weight in homogenous materials for lead, hexavalent chromium, and mercury, and 0.01% for cadmium, or qualify for an exemption to these limits as defined in the Annexes of Directive 2000/53/EC (ELV). Regarding the REACH Regulation, the information TE provides on SVHC in articles for this part number is based on the latest European Chemicals Agency (ECHA) 'Guidance on requirements for substances in articles' posted at this URL: <https://echa.europa.eu/guidance-documents/guidance-on-reach>

Compatible Parts



TE Part # 2-2232516-1
SCSI .050 REC ASS'Y 20P PB-FRE



TE Part # 2-2271287-1
20 P VERTICAL SCSI WITH HOOK
10U*AU

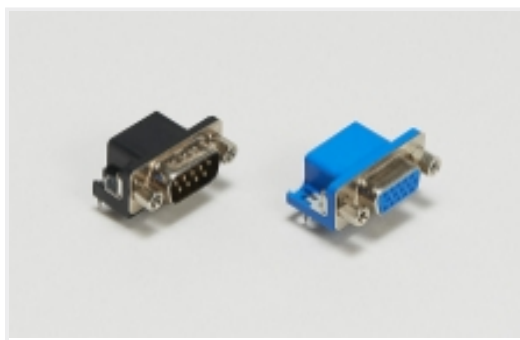


TE Part # 2-2271085-4
SCSI.050 REC ASS'Y 20P PB-FRE



TE Part # 2-2271101-1
SCSI .050 REC ASS'Y 20P PB-FRE

Also in the Series | [SCSI Connectors](#)



PCB D-Sub Connectors(8)



Solder D-Sub Connectors(8)

Customers Also Bought



TE Part #CAT-AM71-CH8172
AMP SUPERSEAL 1.5MM,
CONNECTOR HOUSING



TE Part #114017-ZZ
SEALING PLUG, SIZE 12/16, WHT



TE Part #DT04-2P
REC, 2P, GRY, N



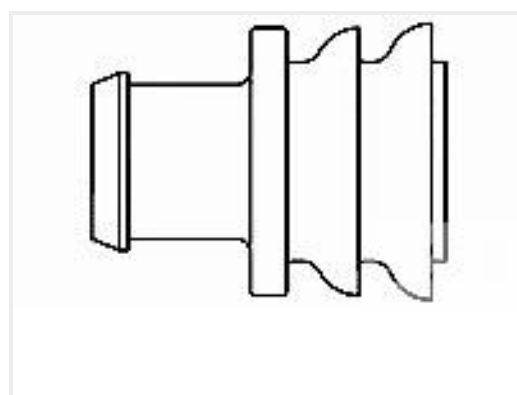
TE Part #DT06-2S
PLG, 2P, GRY, N



TE Part #CAT-D487-W416
Wedgelocks: DEUTSCH DT



TE Part #CAT-D48-ST273
DEUTSCH Solid Contacts



TE Part #281934-2
SINGLE WIRE SEAL

Documents

Product Drawings

SCSI .050 PLUG ASS'Y 20P

English

CAD Files

3D PDF

3D

Customer View Model

[ENG_CVM_CVM_2-2232346-1_A.2d_dxf.zip](#)

English

Customer View Model

[ENG_CVM_CVM_2-2232346-1_A.3d_igs.zip](#)

English

Customer View Model

[ENG_CVM_CVM_2-2232346-1_A.3d_stp.zip](#)

English

By downloading the CAD file I accept and agree to the [Terms and Conditions](#) of use.



Product Specifications

Product Specification

English