

AMPLIMITE

TE Internal #: 2-2198617-5

TE Internal Description: Ni Plated Plastic Backshell, 25 Way, Str

[View on TE.com >](#)

Connectors > Connector Accessories > Connector Backshells

Connector Backshell Product Style: **Shielded**Connector Backshell Product Type: **Backshell**Primary Product Material: **ABS**Body Orientation: **Straight**Compatible With Connector Shell Size: **3****Features****Product Type Features**

Connector Backshell Product Style	Shielded
Connector Backshell Product Type	Backshell

Configuration Features

Number of Positions	25
---------------------	----

Body Features

Primary Product Material	ABS
Cable Exit Angle	180 °
Primary Product Plating Material	Nickel

Mechanical Attachment

Thread Size	4-40
-------------	------

Housing Features

Body Orientation	Straight
Compatible With Connector Shape	D-Shaped

Dimensions

Compatible Insulation Diameter Range	4 – 13 mm [.197 – .433 in]
--------------------------------------	----------------------------

Operation/Application

Compatible With Connector Shell Size	3
--------------------------------------	---

Industry Standards

--	--

UL Flammability Rating	UL 94V-0
------------------------	----------

Packaging Features

Packaging Method	Bag
Packaging Quantity	100

Product Compliance

[For compliance documentation, visit the product page on TE.com>](#)

EU RoHS Directive 2011/65/EU	Compliant
EU ELV Directive 2000/53/EC	Compliant
China RoHS 2 Directive MIIT Order No 32, 2016	有害物质含量符合标准要求 No Restricted Substance(s) Above Threshold
EU REACH Regulation (EC) No. 1907/2006	Current ECHA Candidate List: JUNE 2025 (250) Candidate List Declared Against: JUNE 2024 (241) Does not contain REACH SVHC
Halogen Content	Low Halogen - Br, Cl, F < 900 ppm per homogenous material. Also BFR/CFR/PVC Free
Solder Process Capability	Not applicable for solder process capability

Product Compliance Disclaimer

This information is provided based on reasonable inquiry of our suppliers and represents our current actual knowledge based on the information they provided. This information is subject to change. The part numbers that TE has identified as EU RoHS compliant have a maximum concentration of 0.1% by weight in homogenous materials for lead, hexavalent chromium, mercury, PBB, PBDE, DBP, BBP, DEHP, DIBP, and 0.01% for cadmium, or qualify for an exemption to these limits as defined in the Annexes of Directive 2011/65/EU (RoHS2). Finished electrical and electronic equipment products will be CE marked as required by Directive 2011/65/EU. Components may not be CE marked. Additionally, the part numbers that TE has identified as EU ELV compliant have a maximum concentration of 0.1% by weight in homogenous materials for lead, hexavalent chromium, and mercury, and 0.01% for cadmium, or qualify for an exemption to these limits as defined in the Annexes of Directive 2000/53/EC (ELV). Regarding the REACH Regulation, the information TE provides on SVHC in articles for this part number is based on the latest European Chemicals Agency (ECHA) 'Guidance on requirements for substances in articles' posted at this URL: <https://echa.europa.eu/guidance-documents/guidance-on-reach>

Customers Also Bought



TE Part #650076-000
D-436-38



TE Part #NB10802001
ATUM-32/8-0-STK



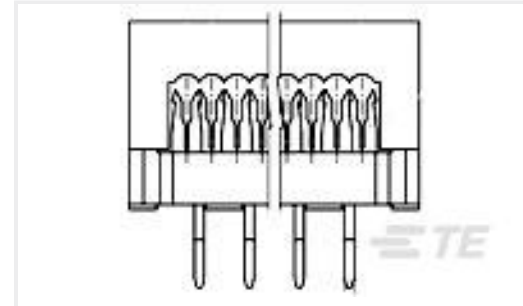
TE Part #DTM06-2S
PLG, 2P, GRY, N



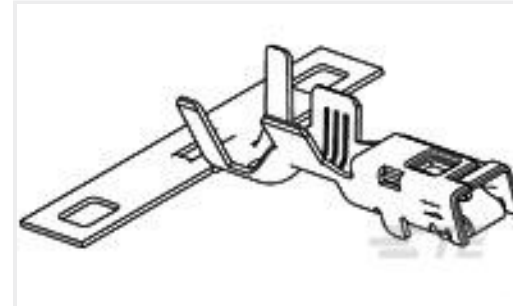
TE Part #1-66359-5
III+ PIN, 18-14,TIN,STRIP



TE Part #102241-3
05 MODIV HSG COMP SR .100 POL



TE Part #1-111382-4
10 DIP PLUG, LEAD FREE



TE Part #1326032-6
2.8MM RECP,SEAL,12AWG



TE Part #2198618-9
Ni Pltd Plastic Backshell, 9 Way, 45 Deg



TE Part #2-2198618-5
Ni Pltd Plstic Backshell, 25 Way, 45 Deg



TE Part #1445886-5
RET PIN,15/30/45A,SP,2 HIGH

Documents

Product Drawings

Ni Plated Plastic Backshell, 25 Way, Str

English

CAD Files

3D PDF

3D

Customer View Model

[ENG_CVM_CVM_2-2198617-5_A.2d_dxf.zip](#)

English

Customer View Model

[ENG_CVM_CVM_2-2198617-5_A.3d_igs.zip](#)

English

Customer View Model

[ENG_CVM_CVM_2-2198617-5_A.3d_stp.zip](#)

English

By downloading the CAD file I accept and agree to the [Terms and Conditions](#) of use.

Product Specifications



[Product Specification](#)

English