



CGS | CGS RLP73

TE Internal #: 2-2176054-4

.47 ohm, Surface Mount Low Ohmic Resistor, Thick Film, 0805, .25

W, 5 %, ±300 ppm/°C, Solder, 2 Terminations, .55 mm [.022 in]

Height, CGS RLP73

[View on TE.com >](#)

Passive Components > Resistors > Surface Mount Resistors > Thick Film Resistor: Current Sense



Resistance Value: .47 Ω

Resistor Type: Low Ohmic Resistor

Element Type: Thick Film

Package Size Code: 0805

Power Rating: .25 W

[All Thick Film Resistor: Current Sense \(142\)](#)

Features

Electrical Characteristics

Resistance Value	.47 Ω
Power Rating	.25 W
Resistance Class	Up to 1kΩ
Passive Component Tolerance	5 %

Product Type Features

Resistor Type	Low Ohmic Resistor
Element Type	Thick Film
Package Size Code	0805

Configuration Features

Number of Resistors	1
---------------------	---

Termination Features

Surface Mount Resistor Termination Type	Solder
Number of Terminations	2

Dimensions

Product Height	.55 mm[.022 in]
Product Length	2 mm[.079 in]



Product Width	1.25 mm[.049 in]
---------------	------------------

Usage Conditions

Temperature Coefficient	±300 ppm/°C
-------------------------	-------------

Packaging Features

Packaging Method	Taped & Reeled
------------------	----------------

Other

EU RoHS Compliance	Compliant with Exemptions
EU ELV Compliance	Not Compliant

Product Compliance

[For compliance documentation, visit the product page on TE.com>](#)

EU RoHS Directive 2011/65/EU	Compliant with Exemptions
EU ELV Directive 2000/53/EC	Not Compliant
China RoHS 2 Directive MIIT Order No 32, 2016	Restricted Materials Above Threshold
EU REACH Regulation (EC) No. 1907/2006	Current ECHA Candidate List: JUNE 2024 (241) Candidate List Declared Against: JUNE 2024 (241) Does not contain REACH SVHC
Halogen Content	Low Halogen - Br, Cl, F, I < 900 ppm per homogenous material. Also BFR/CFR/PVC Free
Solder Process Capability	Reflow solder capable to 260°C

Product Compliance Disclaimer

This information is provided based on reasonable inquiry of our suppliers and represents our current actual knowledge based on the information they provided. This information is subject to change. The part numbers that TE has identified as EU RoHS compliant have a maximum concentration of 0.1% by weight in homogenous materials for lead, hexavalent chromium, mercury, PBB, PBDE, DBP, BBP, DEHP, DIBP, and 0.01% for cadmium, or qualify for an exemption to these limits as defined in the Annexes of Directive 2011/65/EU (RoHS2). Finished electrical and electronic equipment products will be CE marked as required by Directive 2011/65/EU. Components may not be CE marked. Additionally, the part numbers that TE has identified as EU ELV compliant have a maximum concentration of 0.1% by weight in homogenous materials for lead, hexavalent chromium, and mercury, and 0.01% for cadmium, or qualify for an exemption to these limits as defined in the Annexes of Directive 2000/53/EC (ELV). Regarding the REACH Regulation, the information TE provides on SVHC in articles for this part number is based on the latest European Chemicals Agency (ECHA) 'Guidance on requirements for substances in articles' posted at this URL: <https://echa.europa.eu/guidance-documents/guidance-on-reach>

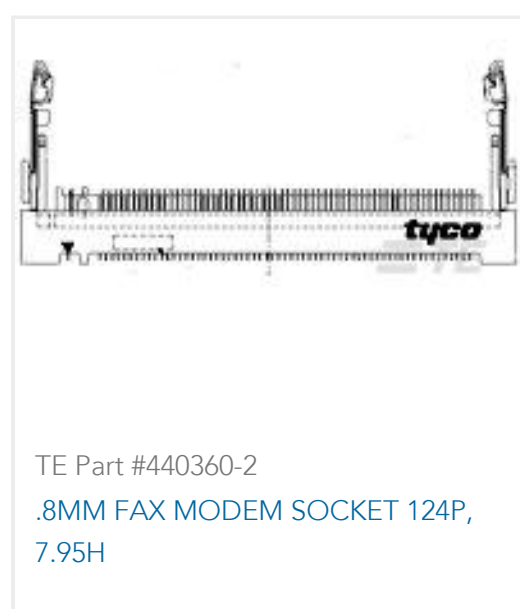
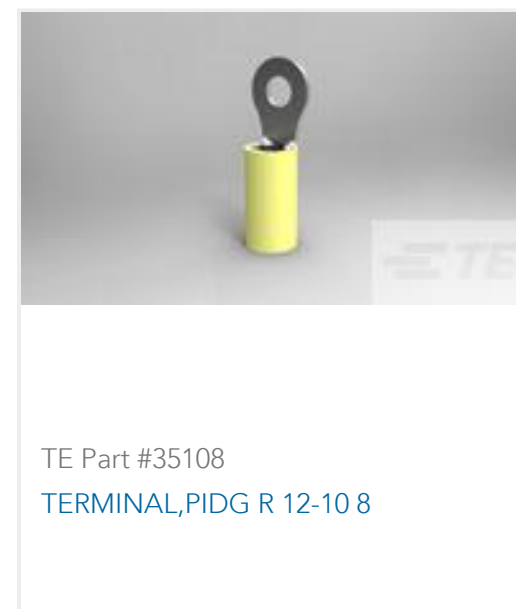
Compatible Parts



Also in the Series | **CGS RLP73**



Customers Also Bought





Documents

Product Drawings

[RLP73N 2A R47 5% 5K RL](#)

English

CAD Files

[3D PDF](#)

3D

Customer View Model

[ENG_CVM_CVM_2-2176054-4_BA.2d_dxf.zip](#)

English

Customer View Model

[ENG_CVM_CVM_2-2176054-4_BA.3d_igs.zip](#)

English

Customer View Model

[ENG_CVM_CVM_2-2176054-4_BA.3d_stp.zip](#)

English

By downloading the CAD file I accept and agree to the [Terms and Conditions](#) of use.

Datasheets & Catalog Pages

[SMD Low Ohmic Current Sense Resistors - Type RL73 Series](#)

English