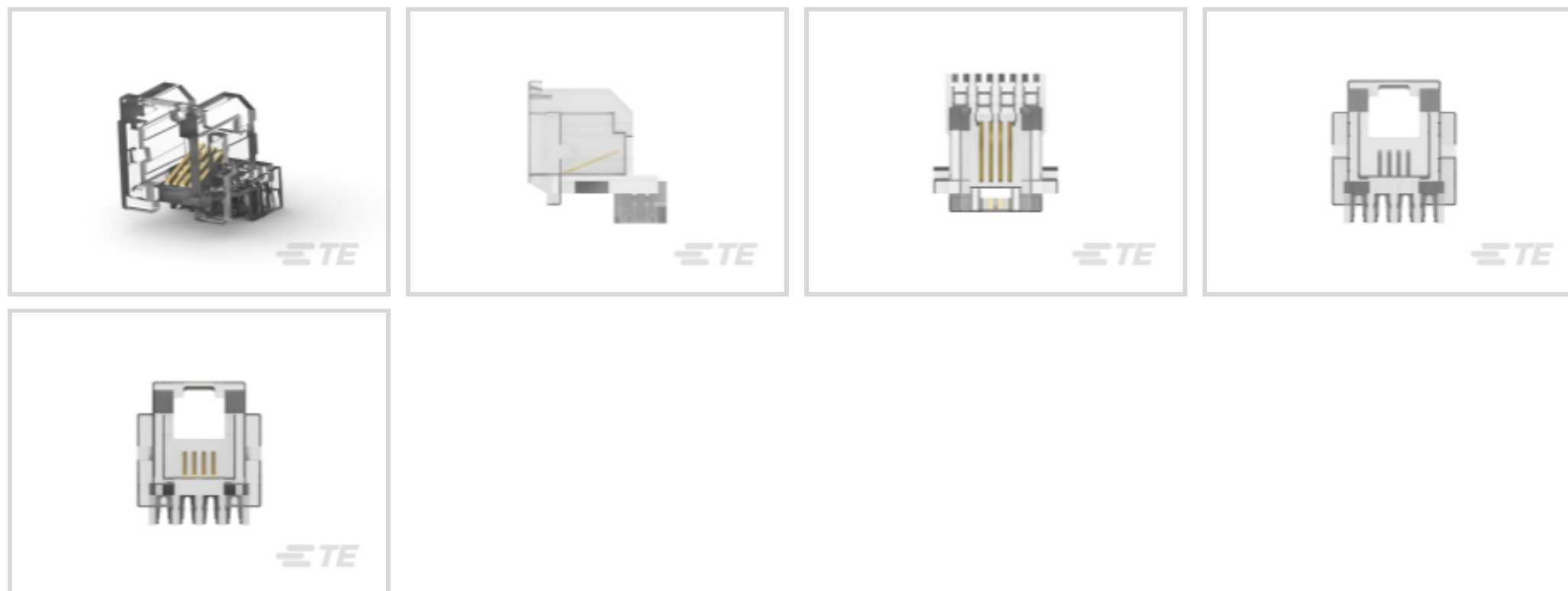




Connectors > Modular Jacks & Plugs > RJ11 Connectors



Port Configuration: **Single Port**

Port Matrix Configuration: **1 x 1**

Connector Profile: **Standard**

Modular Jacks & Plugs Products: **RJ Type Jacks & Plugs**

Connector Contact Density: **Standard**

Features

Termination Features

Termination Method to Wire & Cable	Insulation Displacement (IDC)
------------------------------------	-------------------------------

Contact Features

Contact Underplating Material	Nickel
Contact Base Material	Phosphor Bronze
Contact Mating Area Plating Material	Gold Flash over Palladium Nickel
	31.5 μ m
PCB Contact Termination Area Plating Material	Tin
Contact Current Rating (Max)	1.5 A

Housing Features

Centerline (Pitch)	1.02 mm [.04 in]
Mating Entry Location	Side
Housing Color	Clear
Housing Material	ABS (Acrylonitrile-Butadiene-Styrene)

Operation/Application

Circuit Application	Signal
Shielded	No

Product Type Features

Wire Termination Style	110 Style Punch-Down
Connector Product Type	Connector Assembly
Connector System	Cable-to-Board, Cable-to-Panel
Modular Jacks & Plugs Products	RJ Type Jacks & Plugs
Modular Connector Style	Jack

Configuration Features

PCB Mount Orientation	Right Angle
Wiring Pattern	One-to-One, USOC
Port Configuration	Single Port
Port Matrix Configuration	1 x 1
Connector Contact Density	Standard
Number of Positions	4
Number of Loaded Positions	4

Body Features

Connector Profile	Standard
Modular Jack Latch Orientation	Standard - Latch Down

Industry Standards

Performance Category	Cat 3
----------------------	-------

Packaging Features

Packaging Method	Loose Piece, Reel
Packaging Quantity	800

Other

EU RoHS Compliance	Compliant
EU ELV Compliance	Compliant

Product Compliance

[For compliance documentation, visit the product page on TE.com>](#)

EU RoHS Directive 2011/65/EU	Compliant
EU ELV Directive 2000/53/EC	Compliant
China RoHS 2 Directive MIIT Order No 32, 2016	No Restricted Materials Above Threshold
EU REACH Regulation (EC) No. 1907/2006	

Current ECHA Candidate List: JUNE 2024
(241)
Not Yet Reviewed

Halogen Content

Low Halogen - Br, Cl, F, I < 900 ppm per homogenous material. Also BFR/CFR/PVC Free

Solder Process Capability

Not applicable for solder process capability

Product Compliance Disclaimer

This information is provided based on reasonable inquiry of our suppliers and represents our current actual knowledge based on the information they provided. This information is subject to change. The part numbers that TE has identified as EU RoHS compliant have a maximum concentration of 0.1% by weight in homogenous materials for lead, hexavalent chromium, mercury, PBB, PBDE, DBP, BBP, DEHP, DIBP, and 0.01% for cadmium, or qualify for an exemption to these limits as defined in the Annexes of Directive 2011/65/EU (RoHS2). Finished electrical and electronic equipment products will be CE marked as required by Directive 2011/65/EU. Components may not be CE marked. Additionally, the part numbers that TE has identified as EU ELV compliant have a maximum concentration of 0.1% by weight in homogenous materials for lead, hexavalent chromium, and mercury, and 0.01% for cadmium, or qualify for an exemption to these limits as defined in the Annexes of Directive 2000/53/EC (ELV). Regarding the REACH Regulations, TE's information on SVHC in articles for this part number is still based on the European Chemical Agency (ECHA) 'Guidance on requirements for substances in articles' (Version: 2, April 2011), applying the 0.1% weight on weight concentration threshold at the finished product level. TE is aware of the European Court of Justice ruling of September 10th, 2015 also known as O5A (Once An Article Always An Article) stating that, in case of 'complex object', the threshold for a SVHC must be applied to both the product as a whole and simultaneously to each of the articles forming part of its composition. TE has evaluated this ruling based on the new ECHA "Guidance on requirements for substances in articles" (June 2017, version 4.0) and will be updating its statements accordingly.

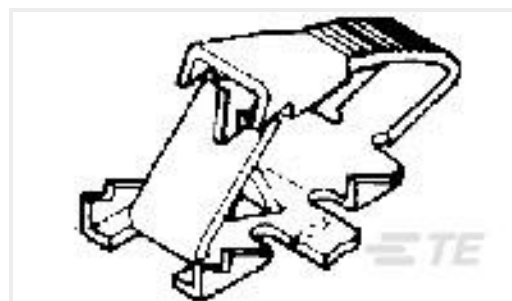
Customers Also Bought



TE Part #1-5645986-1
MSS ONSTRIP SERIES3 BULLETHESE



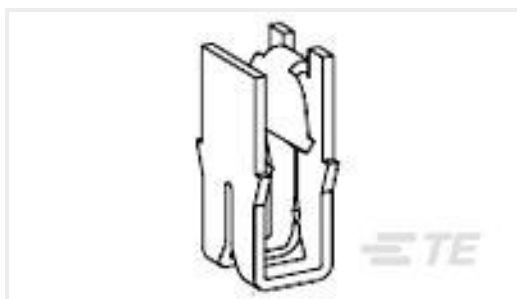
TE Part #1-2308341-5
FULL METAL HOODS SIZE 2-5 (RAW 180 DEG)



TE Part #62781-1
MINI MAG-MATE 42-52 010 TPBR



TE Part #6-1768017-1
EET-0623V-9



TE Part #1217689-1
SPECIAL LEAF CONTACT,300 SERIE



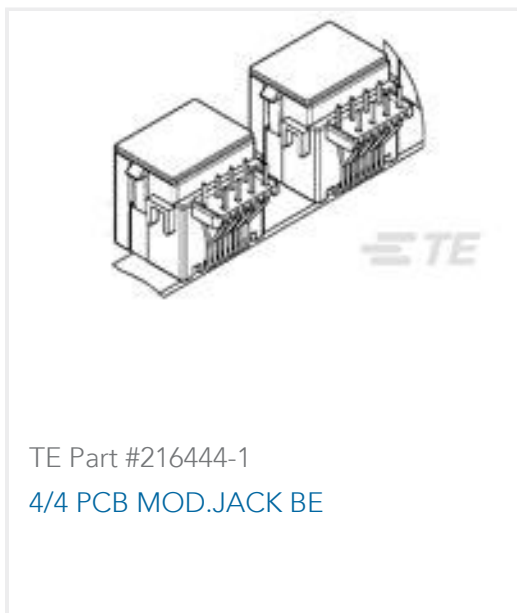
TE Part #1513381-1
UAM - UWB antenna assembly



TE Part #1601046-1
131-101-000=WIRE2WIRE,STD,SMZ



TE Part #172128-2
FF 250 REC HSG 1P NYLON BLCAK



Documents

Product Drawings

4P/4C.MOD.JACK ASSY

English

CAD Files

3D PDF

3D

Customer View Model

[ENG_CVM_CVM_2-216780-2_G.2d_dxf.zip](#)

English

Customer View Model

[ENG_CVM_CVM_2-216780-2_G.3d_igs.zip](#)

English

Customer View Model

[ENG_CVM_CVM_2-216780-2_G.3d_stp.zip](#)

English

By downloading the CAD file I accept and agree to the [Terms and Conditions](#) of use.