



## Product Compliance

[For compliance documentation, visit the product page on TE.com>](#)

EU RoHS Directive 2011/65/EU	Compliant with Exemptions
EU ELV Directive 2000/53/EC	Not Yet Reviewed
China RoHS 2 Directive MIIT Order No 32, 2016	有害物质含量超出标准 Restricted Substance(s) Above Threshold
EU REACH Regulation (EC) No. 1907/2006	Current ECHA Candidate List: JUNE 2025 (250) Candidate List Declared Against: JAN 2023 (233) SVHC > Threshold: Pb (92% in Component Part) <b>Article Safe Usage Statements:</b> Do not eat, drink or smoke when using this product. Wash thoroughly after handling. Recycle if possible and dispose of the article by following all applicable governmental regulations relevant to your geographic location.
Halogen Content	Low Halogen - Br, Cl, F < 900 ppm per homogenous material. Also BFR/CFR/PVC Free
Solder Process Capability	Not applicable for solder process capability

### Product Compliance Disclaimer

This information is provided based on reasonable inquiry of our suppliers and represents our current actual knowledge based on the information they provided. This information is subject to change. The part numbers that TE has identified as EU RoHS compliant have a maximum concentration of 0.1% by weight in homogenous materials for lead, hexavalent chromium, mercury, PBB, PBDE, DBP, BBP, DEHP, DIBP, and 0.01% for cadmium, or qualify for an exemption to these limits as defined in the Annexes of Directive 2011/65/EU (RoHS2). Finished electrical and electronic equipment products will be CE marked as required by Directive 2011/65/EU. Components may not be CE marked. Additionally, the part numbers that TE has identified as EU ELV compliant have a maximum concentration of 0.1% by weight in homogenous materials for lead, hexavalent chromium, and mercury, and 0.01% for cadmium, or qualify for an exemption to these limits as defined in the Annexes of Directive 2000/53/EC (ELV). Regarding the REACH Regulation, the information TE provides on SVHC in articles for this part number is based on the latest European Chemicals Agency (ECHA) 'Guidance on requirements for substances in articles' posted at this URL: <https://echa.europa.eu/guidance-documents/guidance-on-reach>

## Compatible Parts



TE Part # 2141024-1  
RELAY BOX ASSY,HARD WIRED

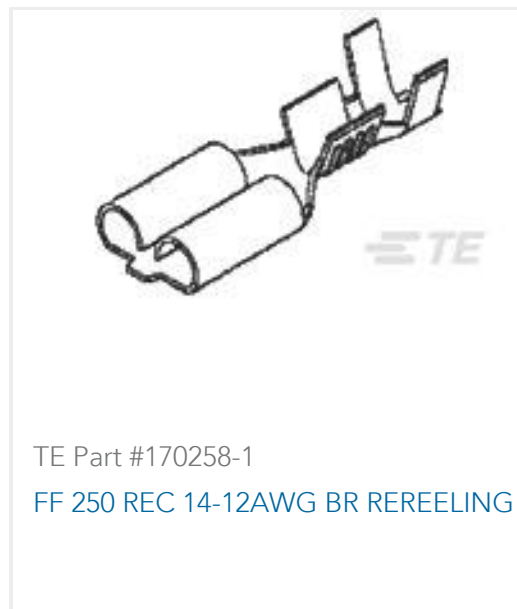
### Customers Also Bought



TE Part #0413-215-1605  
SEALING PLUG, SIZE 16, KEYING,  
WHT



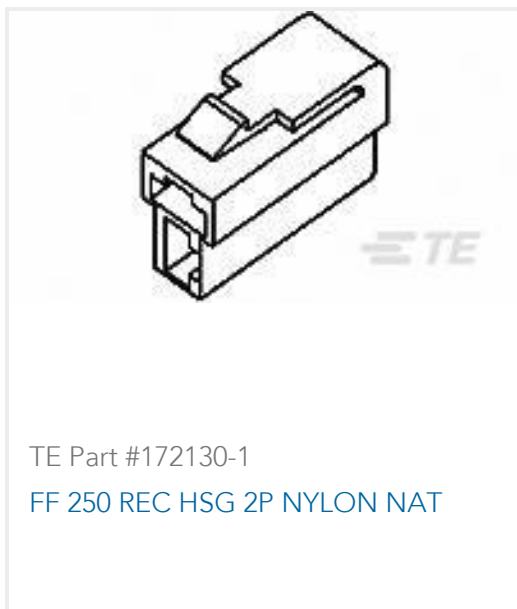
TE Part #81665-5  
ECONOSEAL, FLANGE GASKET



TE Part #170258-1  
FF 250 REC 14-12AWG BR REREELING



TE Part #170258-2  
FF 250 REC 14-12AWG TPBR  
REREELING



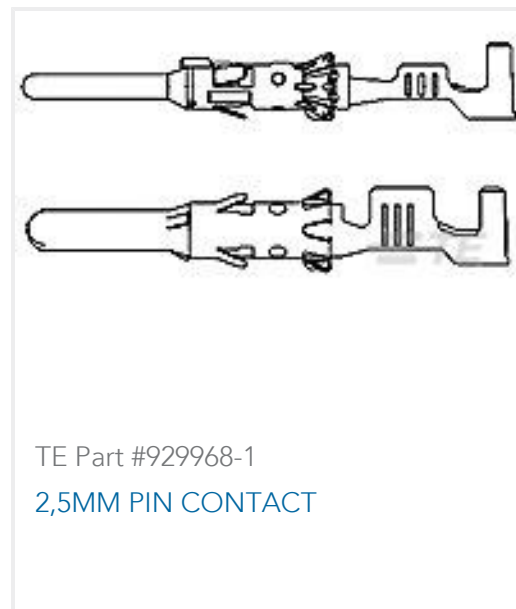
TE Part #172130-1  
FF 250 REC HSG 2P NYLON NAT



TE Part #284703-1  
2POS MQS REC SEALED COD A



TE Part #CAT-T4827-CH8172  
Timer Connector Housing



TE Part #929968-1  
2,5MM PIN CONTACT



TE Part #1-967325-3  
2,5MM BU-GEH 2P

### Documents

#### Product Drawings

V23234C0004X018-EV-100

English

#### CAD Files

3D PDF

3D

Customer View Model

ENG\_CVM\_CVM\_2-1904015-1\_A.2d\_dxf.zip



English

**Customer View Model**

[ENG\\_CVM\\_CVM\\_2-1904015-1\\_A.3d\\_igs.zip](#)

English

**Customer View Model**

[ENG\\_CVM\\_CVM\\_2-1904015-1\\_A.3d\\_stp.zip](#)

English

By downloading the CAD file I accept and agree to the [Terms and Conditions](#) of use.

---

## Datasheets & Catalog Pages

**Automotive Relay Application Notes**

English

**MFINITY Modular Hard Wired Fuse and Relay Box**

English

**Power Relay B, Mini ISO, Plug-In**

English

---

## Product Specifications

**Definitions General Purpose Relays**

English