

# CRGH2512F169R ✓ ACTIVE

Neohm | Neohm CRGH

TE Internal #: 2-1879524-0

169 ohm, Surface Mount Power Resistor, Thick Film, 2512, 2 W, 1 %, ±100 ppm/°C, Solder, 2 Terminations, .55 mm [.022 in] Height, Neohm CRGH

[View on TE.com >](#)



Passive Components > Resistors > Surface Mount Resistors



Resistance Value: 169 Ω

Resistor Type: Power Resistor

Element Type: Thick Film

Package Size Code: 2512

Power Rating: 2 W

## Features

### Electrical Characteristics

Operating Voltage	200 V
Resistance Value	169 Ω
Power Rating	2 W
Resistance Class	Up to 1kΩ
Passive Component Tolerance	1 %

### Product Type Features

Resistor Type	Power Resistor
Element Type	Thick Film
Package Size Code	2512

### Configuration Features

Number of Resistors	1
---------------------	---

### Termination Features

Surface Mount Resistor Termination Type	Solder
Number of Terminations	2

### Dimensions

Product Height	.55 mm[.022 in]
Product Length	6.35 mm[.25 in]
Product Width	3.2 mm[.126 in]



### Usage Conditions

Temperature Coefficient	±100 ppm/°C
-------------------------	-------------

### Packaging Features

Packaging Method	Taped & Reeled
------------------	----------------

### Other

EU RoHS Compliance	Compliant with Exemptions
EU ELV Compliance	Compliant with Exemptions

### Product Compliance

[For compliance documentation, visit the product page on TE.com>](#)

EU RoHS Directive 2011/65/EU	Compliant with Exemptions
EU ELV Directive 2000/53/EC	Compliant with Exemptions
China RoHS 2 Directive MIIT Order No 32, 2016	Restricted Materials Above Threshold
EU REACH Regulation (EC) No. 1907/2006	Current ECHA Candidate List: JUNE 2024 (241) Candidate List Declared Against: JUNE 2023 (235) Does not contain REACH SVHC
Halogen Content	Low Halogen - Br, Cl, F, I < 900 ppm per homogenous material. Also BFR/CFR/PVC Free
Solder Process Capability	Reflow solder capable to 260°C

#### Product Compliance Disclaimer

This information is provided based on reasonable inquiry of our suppliers and represents our current actual knowledge based on the information they provided. This information is subject to change. The part numbers that TE has identified as EU RoHS compliant have a maximum concentration of 0.1% by weight in homogenous materials for lead, hexavalent chromium, mercury, PBB, PBDE, DBP, BBP, DEHP, DIBP, and 0.01% for cadmium, or qualify for an exemption to these limits as defined in the Annexes of Directive 2011/65/EU (RoHS2). Finished electrical and electronic equipment products will be CE marked as required by Directive 2011/65/EU. Components may not be CE marked. Additionally, the part numbers that TE has identified as EU ELV compliant have a maximum concentration of 0.1% by weight in homogenous materials for lead, hexavalent chromium, and mercury, and 0.01% for cadmium, or qualify for an exemption to these limits as defined in the Annexes of Directive 2000/53/EC (ELV). Regarding the REACH Regulation, the information TE provides on SVHC in articles for this part number is based on the latest European Chemicals Agency (ECHA) 'Guidance on requirements for substances in articles' posted at this URL: <https://echa.europa.eu/guidance-documents/guidance-on-reach>

### Compatible Parts



Also in the Series | **Neohm CRGH**

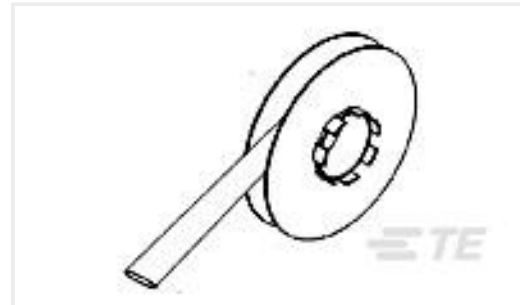


Customers Also Bought





TE Part #2-331272-6  
SOCKET,MIN-SPR AU SER-2



TE Part #398741-000  
TTMS-9.5-9

## Documents

### CAD Files

[3D PDF](#)

[3D](#)

#### Customer View Model

[ENG\\_CVM\\_CVM\\_2-1879524-0\\_BB.2d\\_dxf.zip](#)

English

#### Customer View Model

[ENG\\_CVM\\_CVM\\_2-1879524-0\\_BB.3d\\_igs.zip](#)

English

#### Customer View Model

[ENG\\_CVM\\_CVM\\_2-1879524-0\\_BB.3d\\_stp.zip](#)

English

By downloading the CAD file I accept and agree to the [Terms and Conditions](#) of use.

### Datasheets & Catalog Pages

[1309350\\_PASSIVE\\_COMPONENT](#)

English

[High Power Thick Film Chip Resistors](#)

English