

THS505R6J ✓ ACTIVE

CGS | CGS THS

TE Internal #: 2-1879071-2

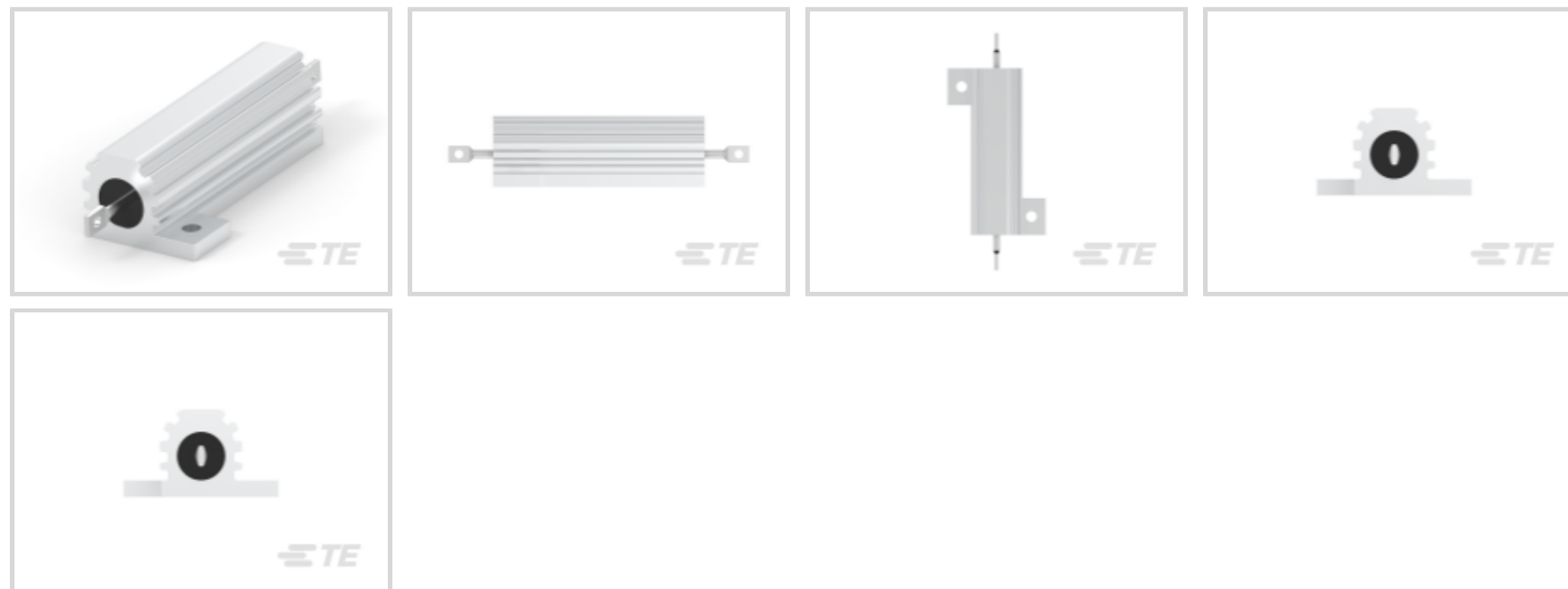
5.6 ohm, Wire Wound, 5 %, Power Resistor, 50 W, 2 Terminations,
±50 ppm/°C, Solder Lug, Loose Piece - Tray, 17 mm [.669 in]

Height, CGS THS

[View on TE.com >](#)



Passive Components > Resistors > Chassis Mount Resistors > Power Resistor: Aluminum Housed, 75 Watt



Resistor Type: **Power Resistor**

Resistance Class: **Up to 1kΩ**

Resistance Value: **5.6 Ω**

Power Rating: **50 W**

Element Type: **Wire Wound**

[All Power Resistor: Aluminum Housed, 75 Watt \(236\)](#)

Features

Product Type Features

Resistor Type	Power Resistor
Element Type	Wire Wound

Configuration Features

Number of Resistors	1
---------------------	---

Electrical Characteristics

Operating Voltage	1250 V
Resistance Class	Up to 1kΩ
Resistance Value	5.6 Ω
Power Rating	50 W
Passive Component Tolerance	5 %

Termination Features

Number of Terminations	2
------------------------	---



Chassis Mount Resistor Termination Type Solder Lug

Mechanical Attachment

Panel Mount Feature Type	Flange with Mounting Holes
--------------------------	----------------------------

Dimensions

Product Height	17 mm [.669 in]
Product Length	72.5 mm [2.854 in]
Product Width	30 mm [1.181 in]

Usage Conditions

Temperature Coefficient	±50 ppm/°C
-------------------------	------------

Packaging Features

Packaging Method	Loose Piece - Tray
------------------	--------------------

Product Compliance

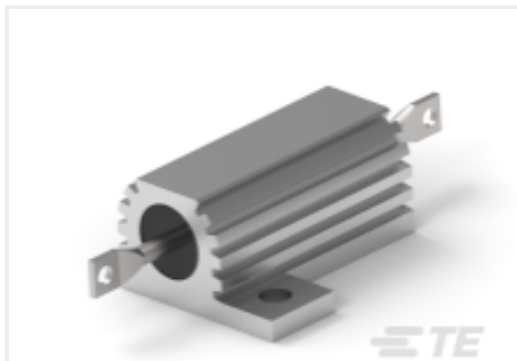
[For compliance documentation, visit the product page on TE.com>](#)

EU RoHS Directive 2011/65/EU	Compliant
EU ELV Directive 2000/53/EC	Out of Scope
China RoHS 2 Directive MIIT Order No 32, 2016	有害物质含量符合标准要求 No Restricted Substance(s) Above Threshold
EU REACH Regulation (EC) No. 1907/2006	Current ECHA Candidate List: JUNE 2025 (250) Candidate List Declared Against: JUNE 2025 (250) Does not contain REACH SVHC
Halogen Content	Low Halogen - Br, Cl, F < 900 ppm per homogenous material. Also BFR/CFR/PVC Free
Solder Process Capability	Hand solderable with lead free solder

Product Compliance Disclaimer

This information is provided based on reasonable inquiry of our suppliers and represents our current actual knowledge based on the information they provided. This information is subject to change. The part numbers that TE has identified as EU RoHS compliant have a maximum concentration of 0.1% by weight in homogenous materials for lead, hexavalent chromium, mercury, PBB, PBDE, DBP, BBP, DEHP, DIBP, and 0.01% for cadmium, or qualify for an exemption to these limits as defined in the Annexes of Directive 2011/65/EU (RoHS2). Finished electrical and electronic equipment products will be CE marked as required by Directive 2011/65/EU. Components may not be CE marked. Additionally, the part numbers that TE has identified as EU ELV compliant have a maximum concentration of 0.1% by weight in homogenous materials for lead, hexavalent chromium, and mercury, and 0.01% for cadmium, or qualify for an exemption to these limits as defined in the Annexes of Directive 2000/53/EC (ELV). Regarding the REACH Regulation, the information TE provides on SVHC in articles for this part number is based on the latest European Chemicals Agency (ECHA) 'Guidance on requirements for substances in articles' posted at this URL: <https://echa.europa.eu/guidance-documents/guidance-on-reach>

Compatible Parts

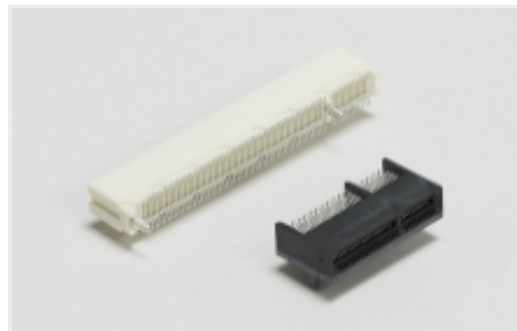


TE Part # CAT-C339-T419
Power Resistor: Aluminum Housed, 75 Watt

Also in the Series | CGS THS



Chassis Mount Resistors(241)



PCI & PCI Express Connectors(8)

Customers Also Bought



TE Part #DTM04-6P
REC, 6P, GRY, N



TE Part #DT06-08SB
PLG, 8P, BLK, N, B



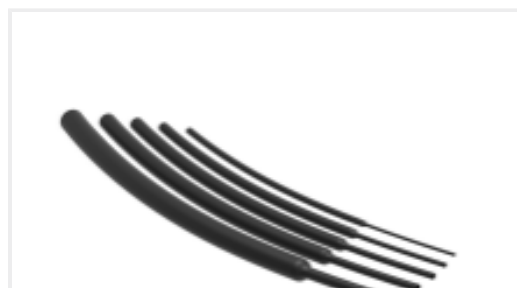
TE Part #CAT-H396-CH8172
DEUTSCH HDP20 Housings



TE Part #810314-SF
FN3268-16-44



TE Part #K1060657
Battery Disconnecter 35-553



TE Part #NB17932001
RNF-100-1-1/2-BK-STK



TE Part #5-1393144-9
K10P-11D15-48=K10/K20



TE Part #6-1437624-7
PKG70B1/4=KNOB PLASTIC BLK LEX



Documents

Product Drawings

[THS50 5R6 5%](#)

English

CAD Files

Customer View Model

[ENG_CVM_CVM_2-1879071-2_A1.3d_stp.zip](#)

English

[3D PDF](#)

3D

Customer View Model

[ENG_CVM_CVM_2-1879071-2_A1.3d_igs.zip](#)

English

Customer View Model

[ENG_CVM_CVM_2-1879071-2_A1.2d_dxf.zip](#)

English

By downloading the CAD file I accept and agree to the [Terms and Conditions](#) of use.

Datasheets & Catalog Pages

[4-1773460-6_RESISTIVE_SOLUTIONS_RAIL](#)

English

[1309350_PASSIVE_COMPONENT](#)

English

[Aluminium Housed Power Resistors - Type THS Series - Tyco Electronics Passives](#)

English

[8-1773459-4_POWER_FILTERING_AND_RESISTIVE_SOLUTIONS_FOR_ELEVATORS_AND_ESCALATORS](#)

English