

2-1825138-0 ✓ ACTIVE

ALCOSWITCH | ALCOSWITCH Gemini A

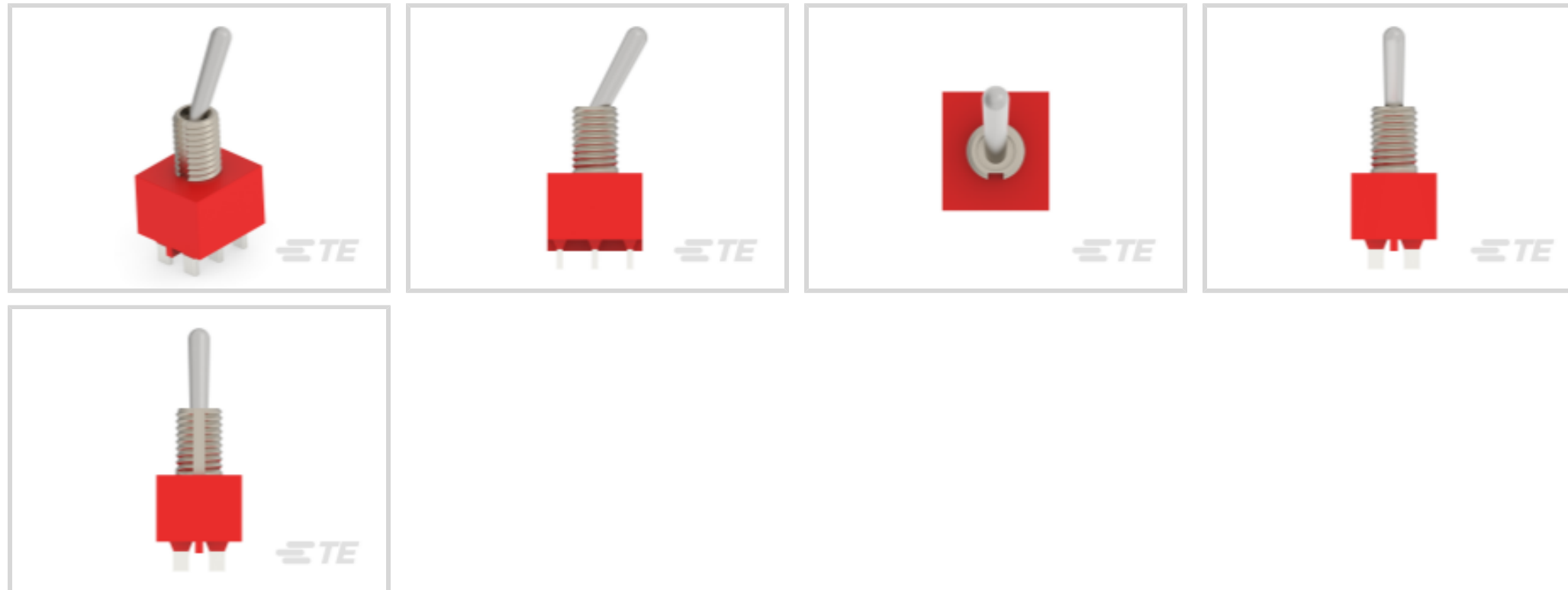
TE Internal #: 2-1825138-0

5 A Toggle Switch, Double Pole - Double Throw Configuration (Pole-Throw), On On, 2 Position, 28 VDC, 125 VAC, Panel Mount, ALCOSWITCH Gemini A

[View on TE.com >](#)



Switches > Toggle Switches



Configuration (Pole-Throw): **Double Pole - Double Throw**

Operating Function: **On On**

Number of Positions: **2**

Contact Current Rating: **5 A**

Operating Voltage: **28 VDC**

Features

Product Type Features

Sealed Device	Yes
Switch Connection Type	Wire Lugs
Toggle Style	Baton Long
Switch Type	Toggle Switch

Configuration Features

Configuration (Pole-Throw)	Double Pole - Double Throw
Operating Function	On On
Number of Positions	2

Electrical Characteristics

Contact Resistance	10 mΩ
Insulation Resistance	1000 MΩ
Dielectric Withstanding Voltage (Max)	1000 VAC
Contact Current Rating	5 A
Operating Voltage	125 VAC



Body Features

Actuator Finish	Nickel
Product Orientation	Vertical
Bushing Style	Threaded
Bushing Thread Size	1/4-40

Contact Features

Contact Base Material	Copper
Switch Contact Plating Material	Silver

Mechanical Attachment

Product Mount Type	Panel Mount
--------------------	-------------

Housing Features

Process Sealed	No
----------------	----

Dimensions

Toggle Length	12.19 mm[.48 in]
---------------	------------------

Product Compliance

[For compliance documentation, visit the product page on TE.com>](#)

EU RoHS Directive 2011/65/EU	Compliant with Exemptions
EU ELV Directive 2000/53/EC	Not Compliant
China RoHS 2 Directive MIIT Order No 32, 2016	Restricted Materials Above Threshold
EU REACH Regulation (EC) No. 1907/2006	Current ECHA Candidate List: JUNE 2025 (250) Candidate List Declared Against: JUNE 2025 (250) SVHC > Threshold: Pb (3.5% in 23721781970) Article Safe Usage Statements: Do not eat, drink or smoke when using this product. Wash thoroughly after handling. Recycle if possible and dispose of the article by following all applicable governmental regulations relevant to your geographic location.
Halogen Content	Low Halogen - Br, Cl, F < 900 ppm per homogenous material. Also BFR/CFR/PVC Free
Solder Process Capability	Wave solder capable to 265°C

Product Compliance Disclaimer

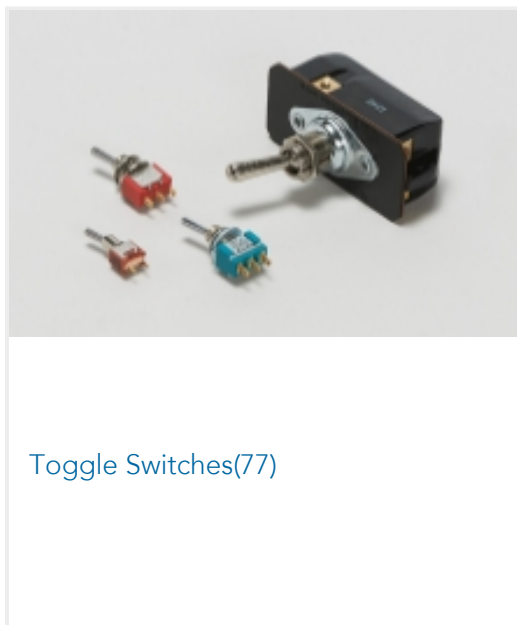
This information is provided based on reasonable inquiry of our suppliers and represents our current actual knowledge based on the information they provided. This information is subject to change. The part numbers that TE has identified as EU RoHS compliant have a maximum concentration of 0.1% by weight in homogenous materials for lead, hexavalent

chromium, mercury, PBB, PBDE, DBP, BBP, DEHP, DIBP, and 0.01% for cadmium, or qualify for an exemption to these limits as defined in the Annexes of Directive 2011/65/EU (RoHS2). Finished electrical and electronic equipment products will be CE marked as required by Directive 2011/65/EU. Components may not be CE marked. Additionally, the part numbers that TE has identified as EU ELV compliant have a maximum concentration of 0.1% by weight in homogenous materials for lead, hexavalent chromium, and mercury, and 0.01% for cadmium, or qualify for an exemption to these limits as defined in the Annexes of Directive 2000/53/EC (ELV). Regarding the REACH Regulation, the information TE provides on SVHC in articles for this part number is based on the latest European Chemicals Agency (ECHA) 'Guidance on requirements for substances in articles' posted at this URL: <https://echa.europa.eu/guidance-documents/guidance-on-reach>

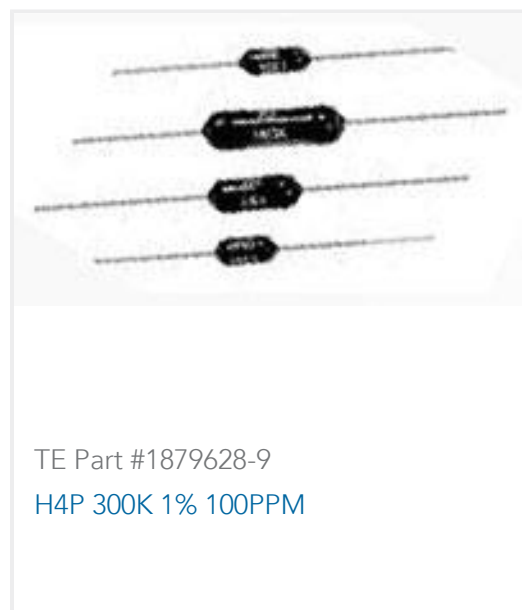
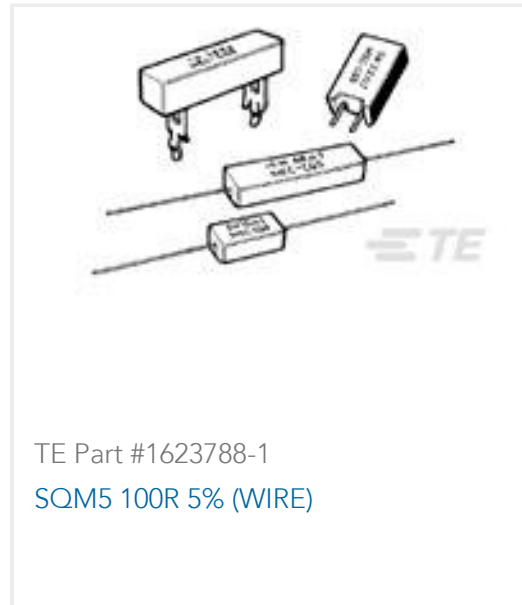
Compatible Parts



Also in the Series | [ALCOSWITCH Gemini A](#)



Customers Also Bought



Documents

Product Drawings

[A201SDZQ04](#)

English

CAD Files

[3D PDF](#)

3D

Customer View Model

[ENG_CVM_CVM_2-1825138-0_A.2d_dxf.zip](#)

English

Customer View Model

[ENG_CVM_CVM_2-1825138-0_A.3d_igs.zip](#)

English

Customer View Model

[ENG_CVM_CVM_2-1825138-0_A.3d_stp.zip](#)

English

By downloading the CAD file I accept and agree to the [Terms and Conditions](#) of use.

Datasheets & Catalog Pages



[SWITCHES_CORE_PROGRAM_CATALOG](#)

English

[GEMINI_SERIES_SWITCHES_QUICK_REF_GUIDE_2-1773458-5](#)

English