

T9CP5A54-240 ✓ ACTIVE

Potter & Brumfield | Potter & Brumfield T9C

TE Internal #: 2-1649341-0

General Purpose Power Relay, AC, Monostable, 1 Form C SPDT-CO, 30 A Contact Rating, 240 VAC Coil Voltage, Potter & Brumfield T9C

[View on TE.com >](#)



Relays & Contactors > Electromechanical Relays



Relay & Contactor Type: **General Purpose Power Relay**

Current Type: **AC**

Coil Magnetic System: **Monostable**

Contact Arrangement: **1 Form C SPDT-CO**

Contact Current Rating: **30 A**

Features

Contact Features

| | |
|------------------|----------|
| Contact Material | AgSnOInO |
|------------------|----------|

Dimensions

| | |
|---|-------------------|
| Insulation Clearance Between Contact & Coil | 3.18 mm[.125 in] |
| Insulation Creepage Between Contact & Coil | 6.36 mm[.25 in] |
| Product Width | 27.43 mm[1.08 in] |
| Product Length | 50.29 mm[1.97 in] |
| Product Height | 27.94 mm[1.1 in] |

Packaging Features

| | |
|------------------|----------|
| Packaging Method | Tray/Box |
|------------------|----------|

Other

| | |
|---|-------------|
| Contact Current Class | 16 A |
| Environmental Ambient Temperature Class | -40 – 70 °C |
| Height Class (Mechanical) | 20 – 35 mm |
| Length Class (Mechanical) | 50 – 55 mm |

| | |
|--------------------------|------------|
| Width Class (Mechanical) | 25 – 30 mm |
| EU RoHS Compliance | Compliant |
| EU ELV Compliance | Compliant |

Usage Conditions

| | |
|---|---------------|
| Environmental Category of Protection | RTII |
| Environmental Ambient Temperature (Max) | 70 °C[-40 °F] |

Mechanical Attachment

| | |
|-------------------------------|----------------------------|
| Product Mounting Feature Type | Flange with Mounting Slots |
| Product Mount Type | Panel Mount |

Electrical Characteristics

| | |
|---|-------------|
| Contact Limiting Short-Time Current | 30 A |
| Contact Limiting Making Current | 30 A |
| Contact Limiting Continuous Current | 30 A |
| Contact Limiting Breaking Current | 30 A |
| Insulation Initial Dielectric Between Open Contacts | 1500 Vrms |
| Contact Switching Voltage (Max) | 277 VAC |
| Contact Switching Load (Min) | 1000mA @ 5V |
| Coil Resistance | 11500 Ω |
| Coil Power Rating AC | 1600 VA |
| Insulation Initial Resistance | 1000 MΩ |
| Contact Current Rating | 30 A |
| Coil Voltage Rating | 240 VAC |
| Contact Voltage Rating | 277 VAC |
| Insulation Initial Dielectric Between Contacts & Coil | 2500 Vrms |

Configuration Features

| | |
|-------------------------|----------------------------|
| Contact Number of Poles | 2 |
| Coil Special Features | UL Coil Insulation Class F |
| Contact Arrangement | 1 Form C SPDT-CO |

Product Type Features

| | |
|------------------------|-----------------------------|
| Relay & Contactor Type | General Purpose Power Relay |
|------------------------|-----------------------------|

Operation/Application

| | |
|--------------|----|
| Current Type | AC |
|--------------|----|



Coil Magnetic System

Monostable

Body Features

Enclosure Type

Flux Resistant Automatic Soldering

Termination Features

Main Termination & Connection Type

Quick Connect Terminals

Coil Termination & Connection Type

Quick Connect Terminals

Product Compliance

For compliance documentation, visit the product page on [TE.com](#)>

EU RoHS Directive 2011/65/EU

Compliant

EU ELV Directive 2000/53/EC

Compliant

China RoHS 2 Directive MIIT Order No 32, 2016

No Restricted Materials Above Threshold

EU REACH Regulation (EC) No. 1907/2006

Current ECHA Candidate List: JUNE 2024 (241)
 Candidate List Declared Against: JUNE 2024 (241)
 Does not contain REACH SVHC

Halogen Content

Not Low Halogen - contains Br or Cl > 900 ppm.

Solder Process Capability

Not applicable for solder process capability

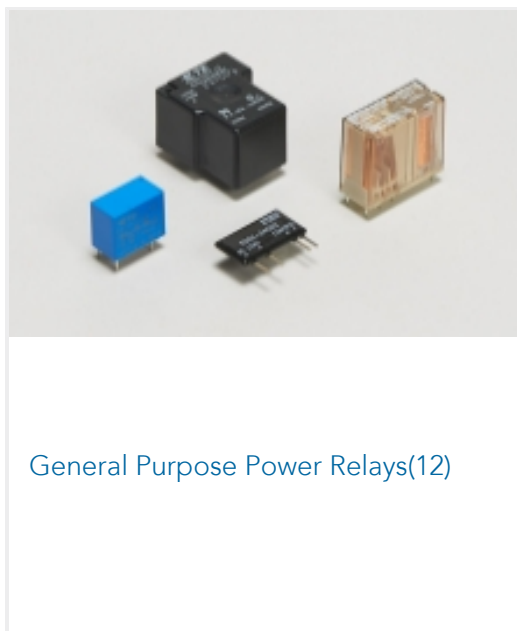
Product Compliance Disclaimer

This information is provided based on reasonable inquiry of our suppliers and represents our current actual knowledge based on the information they provided. This information is subject to change. The part numbers that TE has identified as EU RoHS compliant have a maximum concentration of 0.1% by weight in homogenous materials for lead, hexavalent chromium, mercury, PBB, PBDE, DBP, BBP, DEHP, DIBP, and 0.01% for cadmium, or qualify for an exemption to these limits as defined in the Annexes of Directive 2011/65/EU (RoHS2). Finished electrical and electronic equipment products will be CE marked as required by Directive 2011/65/EU. Components may not be CE marked. Additionally, the part numbers that TE has identified as EU ELV compliant have a maximum concentration of 0.1% by weight in homogenous materials for lead, hexavalent chromium, and mercury, and 0.01% for cadmium, or qualify for an exemption to these limits as defined in the Annexes of Directive 2000/53/EC (ELV). Regarding the REACH Regulation, the information TE provides on SVHC in articles for this part number is based on the latest European Chemicals Agency (ECHA) 'Guidance on requirements for substances in articles' posted at this URL: <https://echa.europa.eu/guidance-documents/guidance-on-reach>

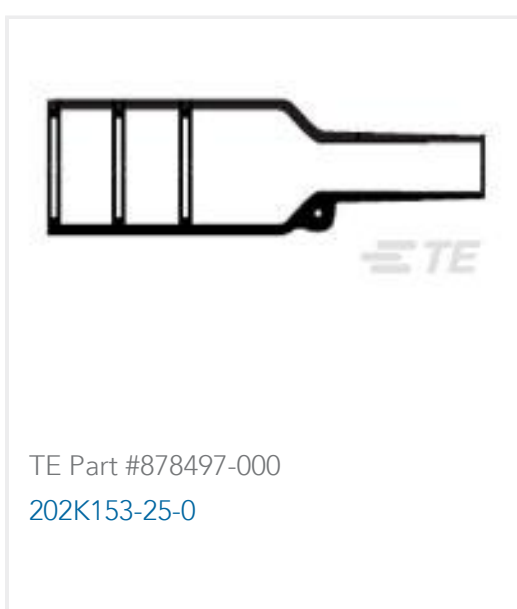
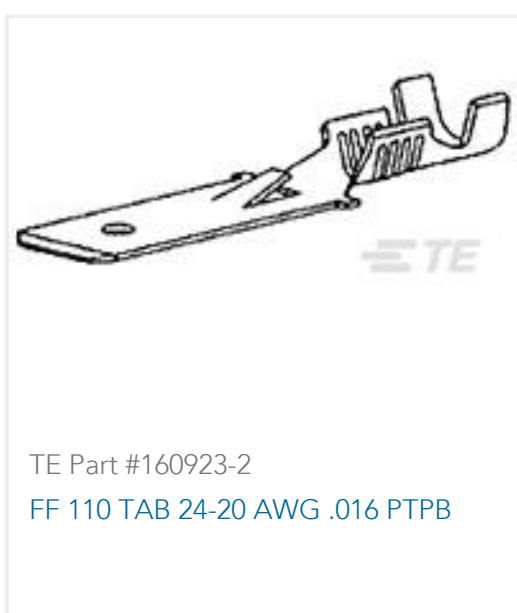
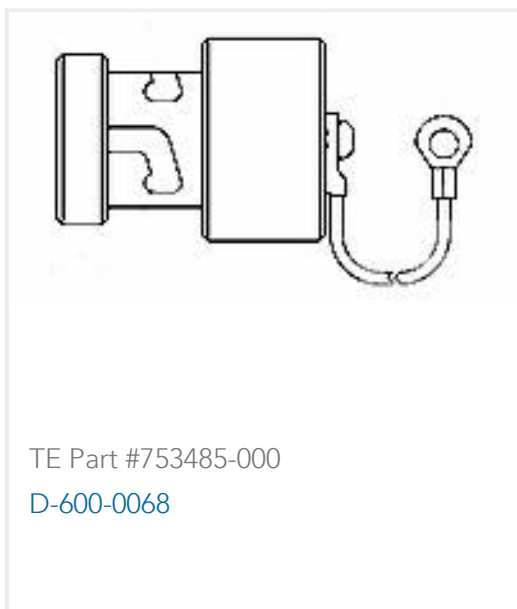
Compatible Parts



Also in the Series | **Potter & Brumfield T9C**



Customers Also Bought





Documents

Product Drawings

[T9CP5A54-240](#)

English

Datasheets & Catalog Pages

[T9C Series Relay Data Sheet - English](#)

English

Product Specifications

[Definitions General Purpose Relays](#)

English

Agency Approvals

[UL](#)

English