



CGS | CGS HS

TE Internal #: 2-1625984-8

200 ohm Chassis Mount Resistor, 50 W, Wire Wound, 2

Terminations, ±30 ppm/°C, 5 %, Solder Lug, Loose Piece - Tray, 17

mm [.669 in] Height, CGS HS

[View on TE.com >](#)

Passive Components > Resistors > Chassis Mount Resistors > Power Resistors: Aluminum Housed, HSA



Resistor Type: **Power Resistor**

Resistance Class: **Up to 1kΩ**

Resistance Value: **200 Ω**

Power Rating: **50 W**

Element Type: **Wire Wound**

[All Power Resistors: Aluminum Housed, HSA \(384\)](#)

Features

Electrical Characteristics

Operating Voltage	1250 VDC
Resistance Class	Up to 1kΩ
Resistance Value	200 Ω
Power Rating	50 W
Passive Component Tolerance	5 %

Product Type Features

Resistor Type	Power Resistor
Element Type	Wire Wound

Configuration Features

Number of Resistors	1
---------------------	---

Termination Features

Number of Terminations	2
Chassis Mount Resistor Termination Type	Solder Lug

Mechanical Attachment

Panel Mount Feature Type	Flange with Mounting Holes
--------------------------	----------------------------

Dimensions

--	--



Product Height	17 mm[.669 in]
Product Length	72.5 mm[2.854 in]
Product Width	30 mm[1.181 in]

Usage Conditions

Temperature Coefficient	±30 ppm/°C
-------------------------	------------

Packaging Features

Packaging Method	Loose Piece - Tray
------------------	--------------------

Other

EU RoHS Compliance	Compliant
EU ELV Compliance	Compliant

Product Compliance

[For compliance documentation, visit the product page on TE.com>](#)

EU RoHS Directive 2011/65/EU	Compliant
EU ELV Directive 2000/53/EC	Compliant
China RoHS 2 Directive MIIT Order No 32, 2016	No Restricted Materials Above Threshold
EU REACH Regulation (EC) No. 1907/2006	Current ECHA Candidate List: JUNE 2024 (241) Candidate List Declared Against: JUNE 2024 (241) Does not contain REACH SVHC
Halogen Content	Low Halogen - Br, Cl, F, I < 900 ppm per homogenous material. Also BFR/CFR/PVC Free
Solder Process Capability	Hand solderable with lead free solder

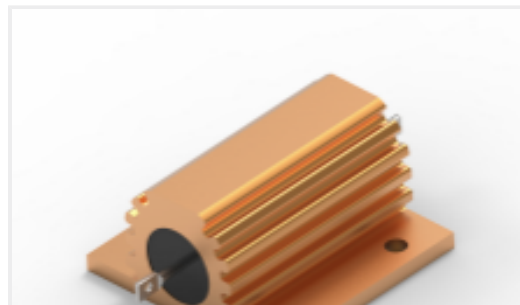
Product Compliance Disclaimer

This information is provided based on reasonable inquiry of our suppliers and represents our current actual knowledge based on the information they provided. This information is subject to change. The part numbers that TE has identified as EU RoHS compliant have a maximum concentration of 0.1% by weight in homogenous materials for lead, hexavalent chromium, mercury, PBB, PBDE, DBP, BBP, DEHP, DIBP, and 0.01% for cadmium, or qualify for an exemption to these limits as defined in the Annexes of Directive 2011/65/EU (RoHS2). Finished electrical and electronic equipment products will be CE marked as required by Directive 2011/65/EU. Components may not be CE marked. Additionally, the part numbers that TE has identified as EU ELV compliant have a maximum concentration of 0.1% by weight in homogenous materials for lead, hexavalent chromium, and mercury, and 0.01% for cadmium, or qualify for an exemption to these limits as defined in the Annexes of Directive 2000/53/EC (ELV). Regarding the REACH Regulation, the information TE provides on SVHC in articles for this part number is based on the latest European Chemicals Agency (ECHA) 'Guidance on requirements for substances in articles' posted at this URL: <https://echa.europa.eu/guidance-documents/guidance-on-reach>

Compatible Parts



TE Part # 1625999-3
HSC100 10R 5%

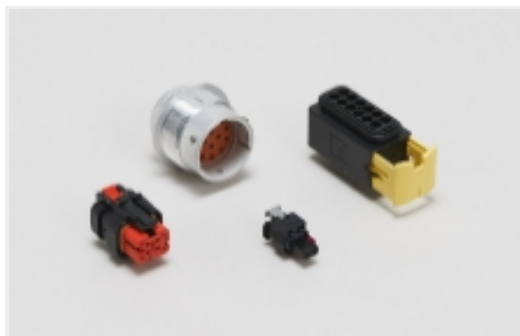


TE Part # CAT-C339-H85913
Power Resistor: Aluminum Housed,
HSA



TE Part # 1630027-1
HSC300 100R 5%

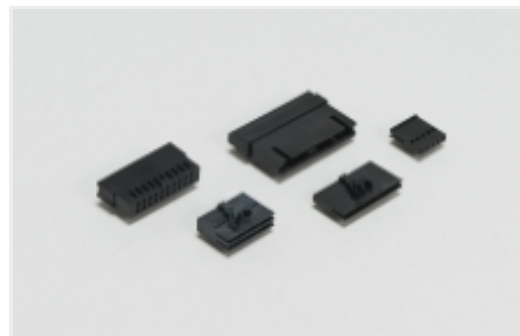
Also in the Series | CGS HS



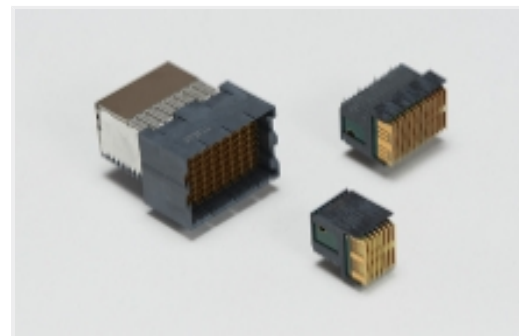
Automotive Housings(1)



Chassis Mount Resistors(1069)



FFC Connectors(1)



High Speed Backplane Connectors(10)



RJ45 Connectors(1)



Wire-to-Board Connector Assemblies
& Housings(1)

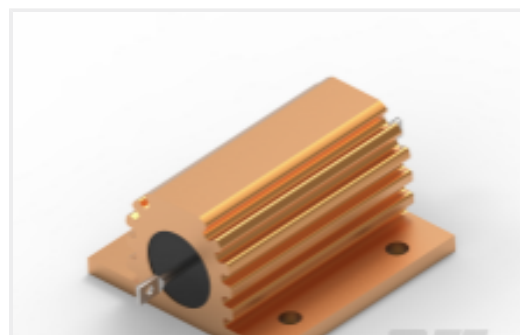
Customers Also Bought



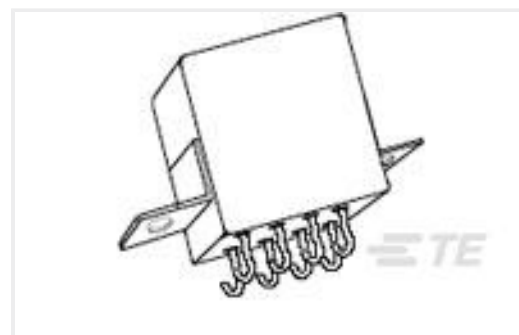
TE Part #2-2329360-2
PB ON/OFF RC RED M1 TERM IP69



TE Part #DRC12-40PA
REC, 40P, BLK, N, FLANGE, A



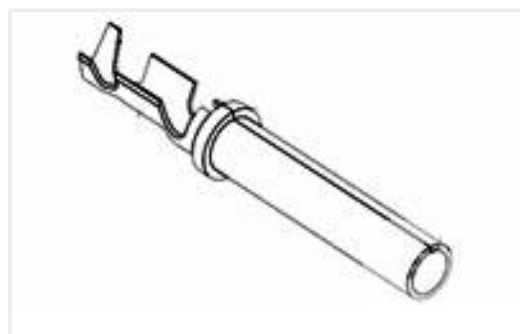
TE Part #CAT-C339-H85913
Power Resistor: Aluminum Housed,
HSA



TE Part #9-1617751-8
FCA-210-CX3



TE Part #60323-2
AMPLIVAR RG 23-19 8 TPBR



TE Part #776299-2
ASSEMBLY SOCKET LOOSE PC NICKEL



TE Part #DTM04-3P
REC, 3P, GRY, N



TE Part #WM-3P
WEDGE LOCK, 3P, REC, ORG, DTM



Documents

Product Drawings

[HSA50 200R 5%](#)

English

CAD Files

Customer View Model

[ENG_CVM_CVM_2-1625984-8_K.2d_dxf.zip](#)

English

[3D PDF](#)

3D

Customer View Model

[ENG_CVM_CVM_2-1625984-8_K.3d_igs.zip](#)

English

Customer View Model

[ENG_CVM_CVM_2-1625984-8_K.3d_stp.zip](#)

English

By downloading the CAD file I accept and agree to the [Terms and Conditions](#) of use.

Datasheets & Catalog Pages

[4-1773460-6_RESISTIVE_SOLUTIONS_RAIL](#)

English

[1309350_PASSIVE_COMPONENT](#)

English

[8-1773459-4_POWER_FILTERING_AND_RESISTIVE_SOLUTIONS_FOR_ELEVATORS_AND_ESCALATORS](#)

English

[Aluminium Housed Power Resistors - Type HS Series](#)

English