



Relays & Contactors > Electromechanical Relays



Relay & Contactor Type: **Protective Relay**

Contact Arrangement: **1 NC & 1 NO**

Contact Current Rating: **5 A**

Main Termination & Connection Type: **Screw Terminals**

Coil Termination & Connection Type: **Screw Terminals**

## Features

### Dimensions

Product Width	114.3 mm[4.5 in]
Product Length	107.95 mm[4.25 in]
Product Height	76.2 mm[3 in]

### Mechanical Attachment

Product Mounting Feature Type	Flange with Mounting Holes
Product Mount Type	Panel Mount

### Configuration Features

Phase	Three
Contact Arrangement	1 NC & 1 NO

### Product Type Features

Relay & Contactor Type	Protective Relay
------------------------	------------------

### Electrical Characteristics

Contact Current Rating	5 A
------------------------	-----

### Termination Features

Main Termination & Connection Type	Screw Terminals
Coil Termination & Connection Type	Screw Terminals

### Other

EU RoHS Compliance	Not Compliant
EU ELV Compliance	Not Compliant



## Product Compliance

[For compliance documentation, visit the product page on TE.com>](#)

EU RoHS Directive 2011/65/EU	Not Compliant
EU ELV Directive 2000/53/EC	Not Compliant
China RoHS 2 Directive MIIT Order No 32, 2016	Restricted Materials Above Threshold
EU REACH Regulation (EC) No. 1907/2006	Current ECHA Candidate List: JUNE 2024 (241) Candidate List Declared Against: JAN 2024 (240) Does not contain REACH SVHC
Halogen Content	Not Yet Reviewed for halogen content
Solder Process Capability	Not applicable for solder process capability

### Product Compliance Disclaimer

This information is provided based on reasonable inquiry of our suppliers and represents our current actual knowledge based on the information they provided. This information is subject to change. The part numbers that TE has identified as EU RoHS compliant have a maximum concentration of 0.1% by weight in homogenous materials for lead, hexavalent chromium, mercury, PBB, PBDE, DBP, BBP, DEHP, DIBP, and 0.01% for cadmium, or qualify for an exemption to these limits as defined in the Annexes of Directive 2011/65/EU (RoHS2). Finished electrical and electronic equipment products will be CE marked as required by Directive 2011/65/EU. Components may not be CE marked. Additionally, the part numbers that TE has identified as EU ELV compliant have a maximum concentration of 0.1% by weight in homogenous materials for lead, hexavalent chromium, and mercury, and 0.01% for cadmium, or qualify for an exemption to these limits as defined in the Annexes of Directive 2000/53/EC (ELV). Regarding the REACH Regulations, TE's information on SVHC in articles for this part number is still based on the European Chemical Agency (ECHA) 'Guidance on requirements for substances in articles' (Version: 2, April 2011), applying the 0.1% weight on weight concentration threshold at the finished product level. TE is aware of the European Court of Justice ruling of September 10th, 2015 also known as O5A (Once An Article Always An Article) stating that, in case of 'complex object', the threshold for a SVHC must be applied to both the product as a whole and simultaneously to each of the articles forming part of its composition. TE has evaluated this ruling based on the new ECHA "Guidance on requirements for substances in articles" (June 2017, version 4.0) and will be updating its statements accordingly.

## Compatible Parts

 <p>TE Part # 2-1618107-1 WOUF-12-50P=WILMAR OVER /UNDER</p>	 <p>TE Part # 2-1618107-4 WOUF-12-60=WILMAR OVER/UNDERF</p>	 <p>TE Part # 1-1618107-9 WOUF-12-400-T=RELAY, O/U FREQ</p>	 <p>TE Part # 2-1618107-5 WOUF-12-60P=WILMAR OVER /UNDER</p>
---	--	--	---

TE Part # 2-1618107-2  
WOUF-12-50-T=RELAY, O/U FREQ

TE Part # 3-1618107-0  
WOUF-23-60-T=RELAY, O/U FREQ

TE Part # 3-1618107-4  
WOUF-46-50-T=RELAY, O/U FREQ

TE Part # 3-1618107-6  
WOUF-46-60-T=RELAY, O/U FREQ



TE Part # 2-1618108-4  
WOV-3-460=WILMAR OVERVOLTAGE R



TE Part # 2-1618108-1  
WOV-3-380=WILMAR OVERVOLTAGE 3



TE Part # 2-1618107-6  
WOUF-12-60-T=RELAY, O/U FREQ



TE Part # 2-1618107-8  
WOUF-12-60-T-A=WILMAR OVER /UND



TE Part # 2-1618108-0  
WOV-3-240=WILMAR OVERVOLTAGE 2



TE Part # 2-1618108-3  
WOV-3-440=WILMAR OVERVOLTAGE 4



TE Part # 2-1618108-5  
WOV-3-480=WILMAR OVERVOLTAGE 4

## Customers Also Bought




TE Part #DT04-2P  
REC, 2P, GRY, N




TE Part #DT06-2S  
PLG, 2P, GRY, N



TE Part #CAT-D487-W416  
Wedgelocks: DEUTSCH DT



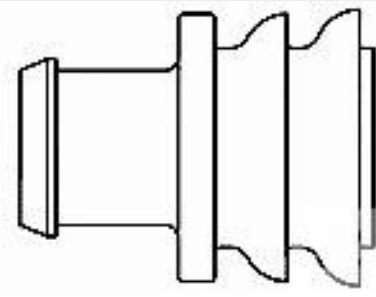
TE Part #CAT-D48-ST273  
DEUTSCH Solid Contacts



TE Part #CAT-AM71-CH8172  
AMP SUPERSEAL 1.5MM, CONNECTOR HOUSING



TE Part #114017-ZZ  
SEALING PLUG, SIZE 12/16, WHT



TE Part #281934-2  
SINGLE WIRE SEAL

## Documents



**Product Drawings**

[WGD-480-120AC=WILMAR GROUND FA](#)

English

---

**Datasheets & Catalog Pages**

[High\\_Performance\\_Relays\\_Section11](#)

English

[5-1773450-5\\_sec11\\_WGD](#)

English