



Relays & Contactors > Electromechanical Relays



Relay & Contactor Type: **Protective Relay**

Current Type: **DC**

Contact Arrangement: **1 Form C SPDT-CO**

Contact Current Rating: **5 A**

Main Termination & Connection Type: **Screw Terminals**

## Features

### Dimensions

|                |                 |
|----------------|-----------------|
| Product Width  | 73 mm[2.87 in]  |
| Product Length | 75 mm[2.95 in]  |
| Product Height | 112 mm[4.41 in] |

### Signal Characteristics

|                      |             |
|----------------------|-------------|
| Frequency Adjustment | 50 – 400 Hz |
|----------------------|-------------|

### Usage Conditions

|   |                           |
|---|---------------------------|
| Operating Temperature Range             | -40 – 60 °C[-40 – 140 °F] |
| Environmental Ambient Temperature (Max) | 60 °C[140 °F]             |

### Mechanical Attachment

|                               |                        |
|-------------------------------|------------------------|
| Product Mounting Feature Type | Mounting Hole, Snap-On |
| Product Mount Type            | DIN Rail               |

### Electrical Characteristics

|                        |             |
|------------------------|-------------|
| Input Voltage          | 18 – 54 VDC |
| Contact Current Rating | 5 A         |

### Configuration Features

|                     |                  |
|---------------------|------------------|
| Phase               | Single           |
| Contact Arrangement | 1 Form C SPDT-CO |

### Operation/Application



|                     |             |
|---------------------|-------------|
| Protection Function | Overcurrent |
|---------------------|-------------|

|              |    |
|--------------|----|
| Current Type | DC |
|--------------|----|

### Product Type Features

|                        |                  |
|------------------------|------------------|
| Relay & Contactor Type | Protective Relay |
|------------------------|------------------|

### Termination Features

|                                    |                 |
|------------------------------------|-----------------|
| Main Termination & Connection Type | Screw Terminals |
|------------------------------------|-----------------|

|                                    |                 |
|------------------------------------|-----------------|
| Coil Termination & Connection Type | Screw Terminals |
|------------------------------------|-----------------|

### Other

|                    |               |
|--------------------|---------------|
| EU RoHS Compliance | Not Compliant |
|--------------------|---------------|

|                   |               |
|-------------------|---------------|
| EU ELV Compliance | Not Compliant |
|-------------------|---------------|

## Product Compliance

[For compliance documentation, visit the product page on TE.com>](#)

|                              |               |
|------------------------------|---------------|
| EU RoHS Directive 2011/65/EU | Not Compliant |
|------------------------------|---------------|

|                             |               |
|-----------------------------|---------------|
| EU ELV Directive 2000/53/EC | Not Compliant |
|-----------------------------|---------------|

|   |                                      |
|---|--------------------------------------|
| China RoHS 2 Directive MIIT Order No 32, 2016 | Restricted Materials Above Threshold |
|---|--------------------------------------|

|  |  |
|--|--|
| EU REACH Regulation (EC) No. 1907/2006 | Current ECHA Candidate List: JUNE 2024 (241)<br>Candidate List Declared Against: JAN 2024 (240)<br>Does not contain REACH SVHC |
|--|--|

|                 |                                      |
|-----------------|--------------------------------------|
| Halogen Content | Not Yet Reviewed for halogen content |
|-----------------|--------------------------------------|

|                           |  |
|---------------------------|--|
| Solder Process Capability | Not applicable for solder process capability |
|---------------------------|--|

#### Product Compliance Disclaimer

This information is provided based on reasonable inquiry of our suppliers and represents our current actual knowledge based on the information they provided. This information is subject to change. The part numbers that TE has identified as EU RoHS compliant have a maximum concentration of 0.1% by weight in homogenous materials for lead, hexavalent chromium, mercury, PBB, PBDE, DBP, BBP, DEHP, DIBP, and 0.01% for cadmium, or qualify for an exemption to these limits as defined in the Annexes of Directive 2011/65/EU (RoHS2). Finished electrical and electronic equipment products will be CE marked as required by Directive 2011/65/EU. Components may not be CE marked. Additionally, the part numbers that TE has identified as EU ELV compliant have a maximum concentration of 0.1% by weight in homogenous materials for lead, hexavalent chromium, and mercury, and 0.01% for cadmium, or qualify for an exemption to these limits as defined in the Annexes of Directive 2000/53/EC (ELV). Regarding the REACH Regulations, TE's information on SVHC in articles for this part number is still based on the European Chemical Agency (ECHA) 'Guidance on requirements for substances in articles' (Version: 2, April 2011), applying the 0.1% weight on weight concentration threshold at the finished product level. TE is aware of the European Court of Justice ruling of September 10th, 2015 also known as O5A (Once An Article Always An Article) stating that, in case of 'complex object', the threshold for a SVHC must be applied to both the product as a whole and simultaneously to each of the articles forming part of its composition. TE has evaluated this ruling based on the new ECHA "Guidance on requirements for substances in articles" (June 2017, version 4.0) and will be updating its statements accordingly.



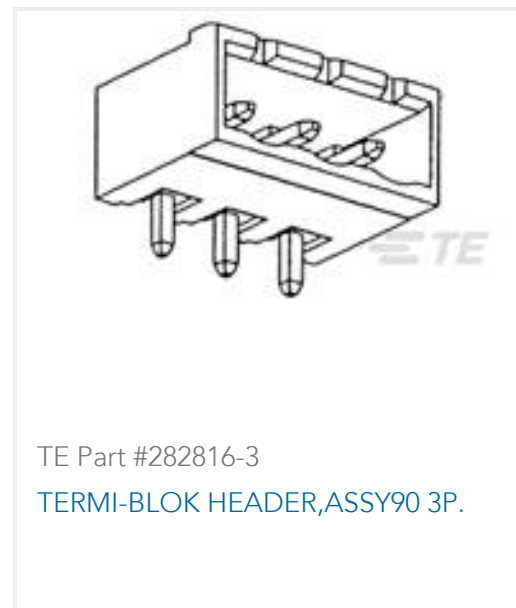
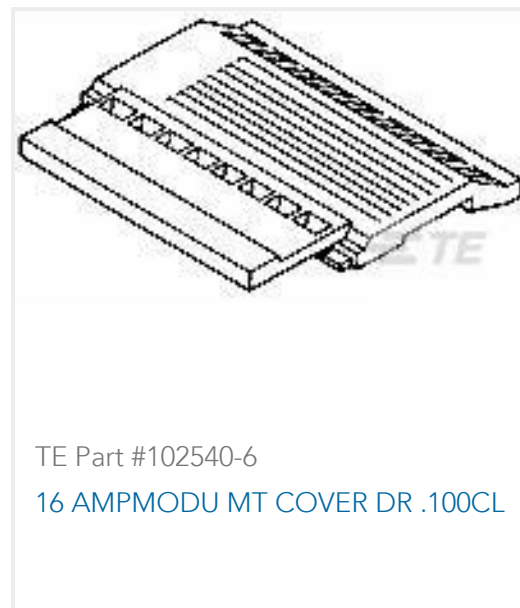
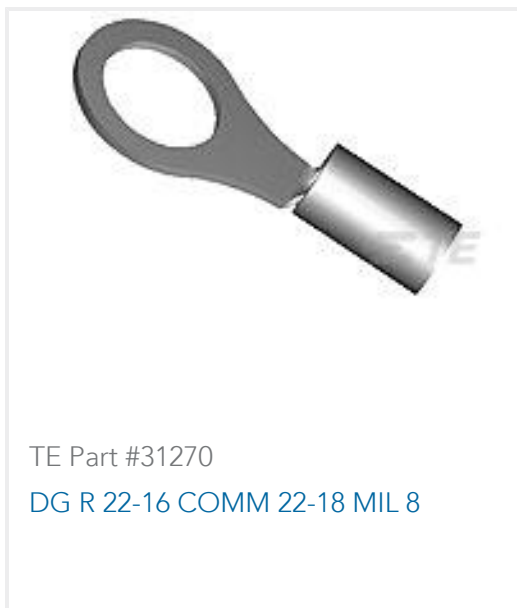
### Compatible Parts



### Also in the Series | Kilovac WD



### Customers Also Bought





## Documents

### Product Drawings

[WD5051-001=RELAY, OVERCURRENT](#)

English

---

### Datasheets & Catalog Pages

[5-1773450-5\\_sec11\\_KILOVAC\\_WD](#)

English