

3SBC1503A2 ✓ ACTIVE

CII | CII 3SBC Relay

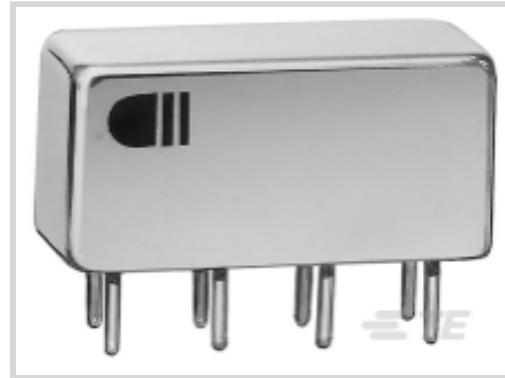
TE Internal #: 2-1617072-2

General Purpose Signal Relay, DC, Non-Polarized, Monostable, 2 Form C DPDT-CO, 2 A Contact Rating, 26.5 VDC Coil Voltage, CII 3SBC Relay

[View on TE.com >](#)



Relays & Contactors > Electromechanical Relays > DPDT Relay : Electrically-Held, 1/5-Size Relay



Relay & Contactor Type: **General Purpose Signal Relay**

Coil Magnetic System: **Non-Polarized, Monostable**

Contact Arrangement: **2 Form C DPDT-CO**

Current Type: **DC**

Contact Current Rating: **2 A**

[All DPDT Relay : Electrically-Held, 1/5-Size Relay \(84\)](#)

Features

Product Type Features

Relay & Contactor Type	General Purpose Signal Relay
------------------------	------------------------------

Configuration Features

Contact Arrangement	2 Form C DPDT-CO
---------------------	------------------

Electrical Characteristics

Coil Resistance	1350 Ω
-----------------	---------------

Contact Current Rating	2 A
------------------------	-----

Coil Voltage Rating	26.5 VDC
---------------------	----------

Coil Power Rating DC	.52 W
----------------------	-------

Body Features

Enclosure Type	Hermetically Sealed
----------------	---------------------

Termination Features

Main Termination & Connection Type	Solder Pins
------------------------------------	-------------

Coil Termination & Connection Type	Solder Pins
------------------------------------	-------------

Mechanical Attachment

Product Mount Type	Board Mount
--------------------	-------------



Usage Conditions

Operating Temperature Range	-65 – 125 °C
Environmental Ambient Temperature (Max)	125 °C[257 °F]

Operation/Application

Vibration Resistance	30G's, 10 – 3000Hz
Shock Resistance	75G's, 6ms
Coil Magnetic System	Non-Polarized, Monostable
Current Type	DC

Other

Contact Current Class	≤2 A
Coil Power Rating Class	>.3 – ≤.6 W

Product Compliance

[For compliance documentation, visit the product page on TE.com>](#)

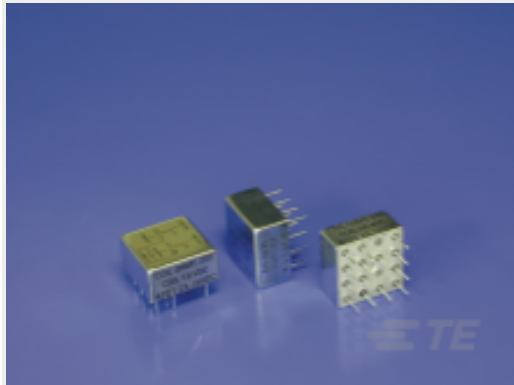
EU RoHS Directive 2011/65/EU	Not Compliant
EU ELV Directive 2000/53/EC	Out of Scope
China RoHS 2 Directive MIIT Order No 32, 2016	有害物质含量超出标准 Restricted Substance(s) Above Threshold
EU REACH Regulation (EC) No. 1907/2006	Current ECHA Candidate List: JUNE 2025 (250) Candidate List Declared Against: JUNE 2025 (250) SVHC > Threshold: Pb (90% in Component Part) Article Safe Usage Statements: Do not eat, drink or smoke when using this product. Wash thoroughly after handling. Recycle if possible and dispose of the article by following all applicable governmental regulations relevant to your geographic location.
Halogen Content	Low Halogen - Br, Cl, F < 900 ppm per homogenous material. Also BFR/CFR/PVC Free
Solder Process Capability	Not lead free process capable

Product Compliance Disclaimer

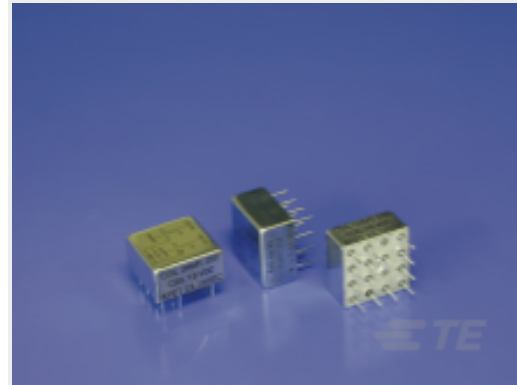
This information is provided based on reasonable inquiry of our suppliers and represents our current actual knowledge based on the information they provided. This information is subject to change. The part numbers that TE has identified as EU RoHS compliant have a maximum concentration of 0.1% by weight in homogenous materials for lead, hexavalent chromium, mercury, PBB, PBDE, DBP, BBP, DEHP, DIBP, and 0.01% for cadmium, or qualify for an exemption to these limits as defined in the Annexes of Directive 2011/65/EU (RoHS2). Finished electrical and electronic equipment products will be CE marked as required by Directive 2011/65/EU. Components may not be CE marked. Additionally, the part numbers that TE has identified as EU ELV compliant have a maximum concentration of 0.1% by weight in homogenous materials for lead, hexavalent chromium, and mercury, and 0.01% for cadmium, or qualify for an exemption to these limits as defined in the Annexes of Directive 2000/53/EC (ELV). Regarding the REACH Regulation, the information TE provides

on SVHC in articles for this part number is based on the latest European Chemicals Agency (ECHA) 'Guidance on requirements for substances in articles' posted at this URL: <https://echa.europa.eu/guidance-documents/guidance-on-reach>

Compatible Parts



TE Part # CAT-3SBH-4PDT-WOCS
4PDT Signal Relay: Electrically-Held, 1/5-Size Relay



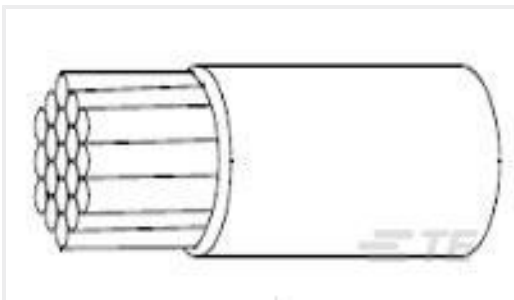
TE Part # CAT-3SBH-4PDT-WCS
4PDT Signal Relay: Electrically-Held, With Coil Suppression

Also in the Series | CII 3SBC Relay

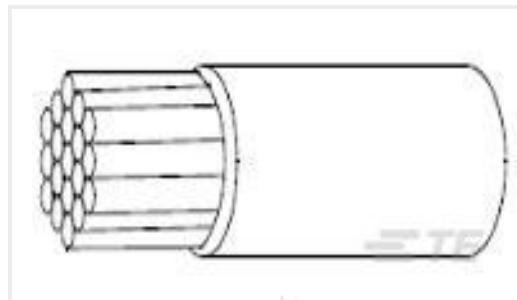


PCB Relays(24)

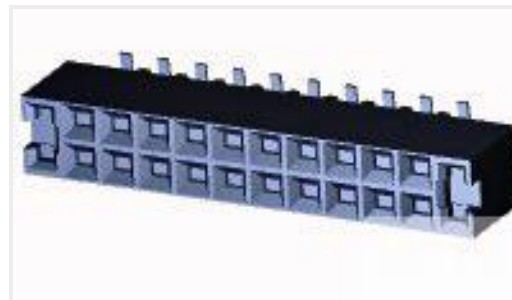
Customers Also Bought



TE Part #216109-005
55A0111-16-6



TE Part #216257-000
55A0111-14-5



TE Part #6-147102-0
20 MODIV VRT DR 100/SFMNT 30AU



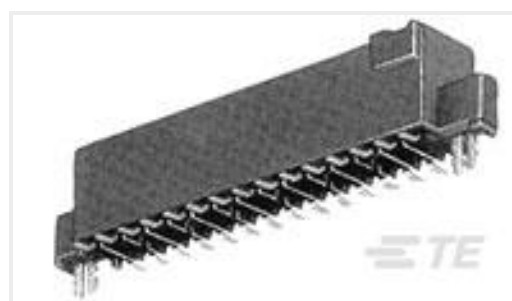
TE Part #535032-5
096 EURO TYPE C RECEPT AP ASSY



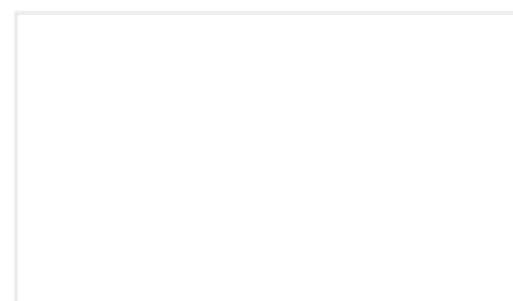
TE Part #650405-5
150 EURO TYPE C RECEPT ST ASSY



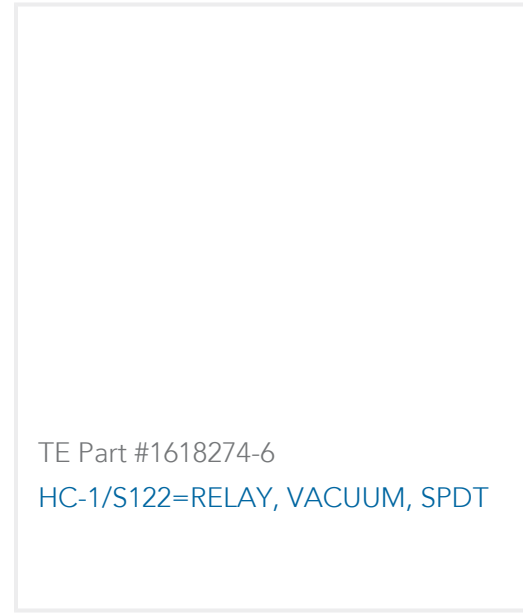
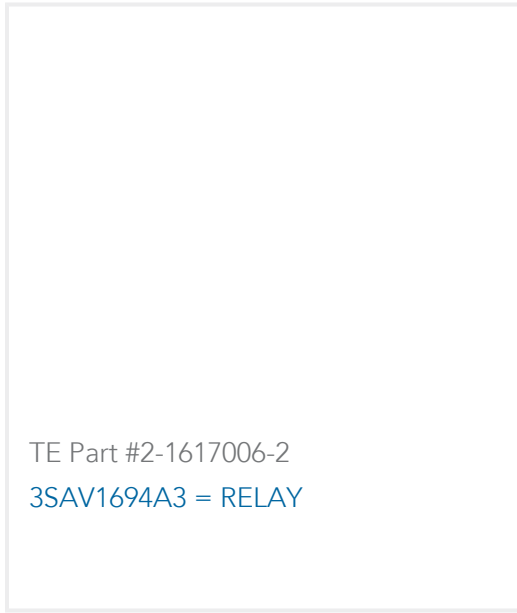
TE Part #1-1617542-0
JMACDG-12XL=M39016/15-091L



TE Part #147413-3
20 50/50 GRID RCPT VC W/O HD



TE Part #92001-08-07E
HERM RECP



Documents

CAD Files

3D PDF

3D

Customer View Model

[ENG_CVM_CVM_2-1617072-2_G_c-2-1617072-2-g.2d_dxf.zip](#)

English

Customer View Model

[ENG_CVM_CVM_2-1617072-2_G_c-2-1617072-2-g.3d_igs.zip](#)

English

Customer View Model

[ENG_CVM_CVM_2-1617072-2_G_c-2-1617072-2-g.3d_stp.zip](#)

English

By downloading the CAD file I accept and agree to the [Terms and Conditions](#) of use.

Datasheets & Catalog Pages

RELAY

English