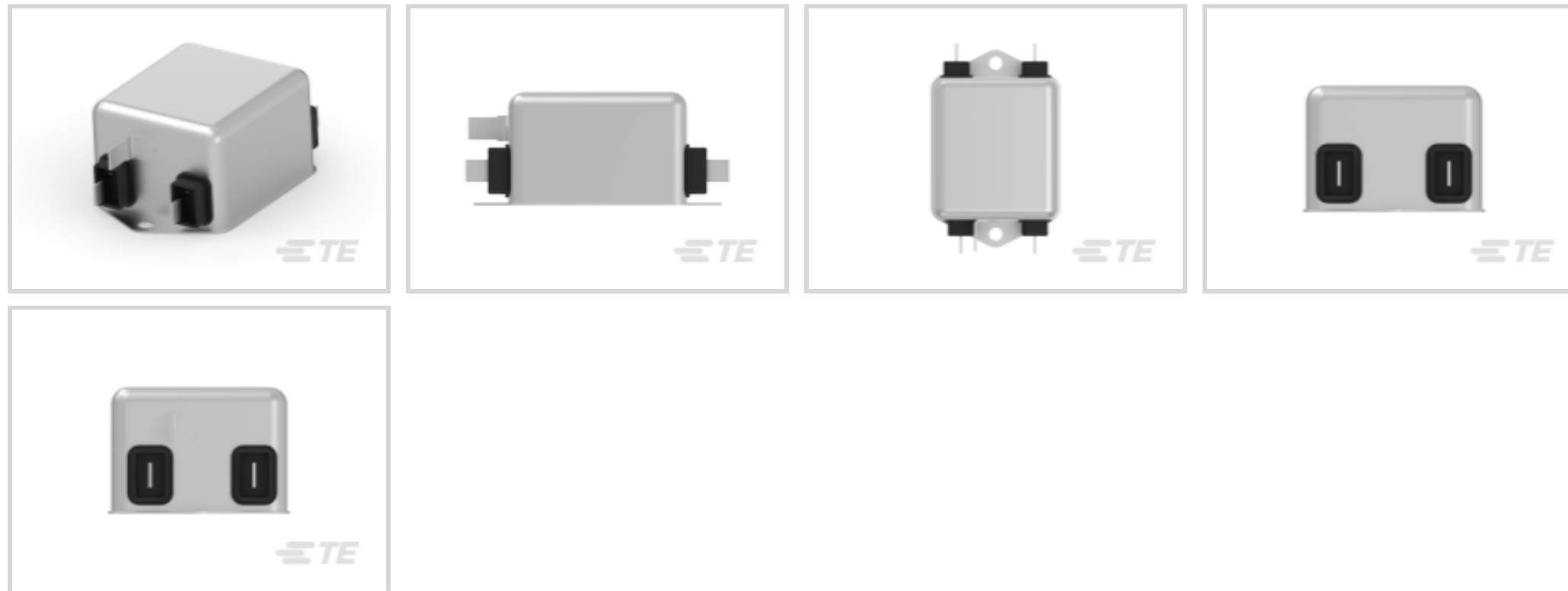




EMI & EMC Solutions > EMI Filters > Power Line Filters > Single Phase Filters > Single Phase Filters Corcom HZ Series



Current Rating: **6 A**

Input Termination Type: **.250" FASTON**

Output Termination Type: **.250" FASTON**

Leakage Current (Max) (120VAC, 60Hz): **.002 mA**

Leakage Current (Max) (250VAC, 50Hz): **.005 mA**

[All Single Phase Filters Corcom HZ Series \(0\)](#)

Features

Mechanical Attachment

Panel Mount Feature Type	Flange
--------------------------	--------

Product Type Features

Filtering Requirements	Filtered
Ground Choke Option	No
Input Termination Type	.250" FASTON
Output Termination Type	.250" FASTON

Electrical Characteristics

Current Rating	6 A
Leakage Current (Max) (120VAC, 60Hz)	.002 mA
Leakage Current (Max) (250VAC, 50Hz)	.005 mA
Operating Voltage	250 VAC

Other

EU RoHS Compliance	Compliant
--------------------	-----------

EU ELV Compliance

Compliant

Product Compliance

[For compliance documentation, visit the product page on TE.com>](#)

EU RoHS Directive 2011/65/EU	Compliant
EU ELV Directive 2000/53/EC	Compliant
China RoHS 2 Directive MIIT Order No 32, 2016	No Restricted Materials Above Threshold
EU REACH Regulation (EC) No. 1907/2006	Current ECHA Candidate List: JUNE 2024 (241) Candidate List Declared Against: JUNE 2024 (241) Does not contain REACH SVHC
Halogen Content	Not Low Halogen - contains Br or Cl > 900 ppm.
Solder Process Capability	Not reviewed for solder process capability

Product Compliance Disclaimer

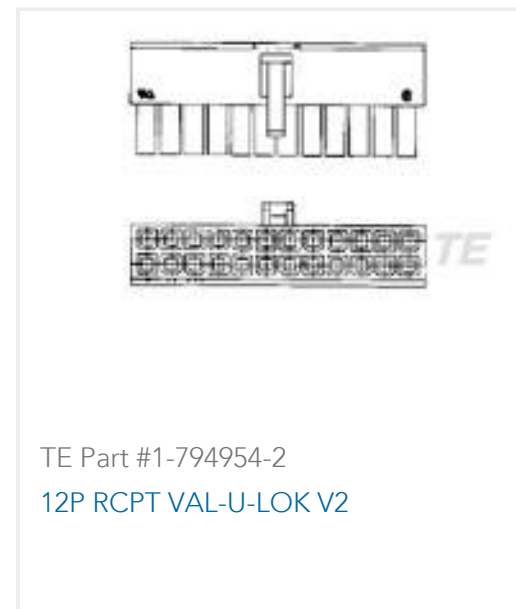
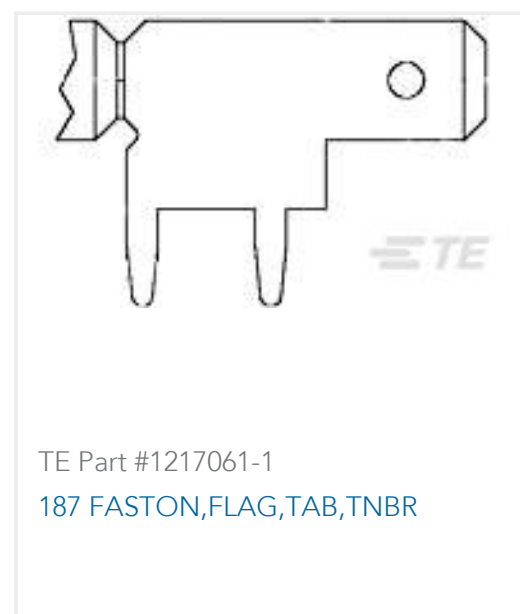
This information is provided based on reasonable inquiry of our suppliers and represents our current actual knowledge based on the information they provided. This information is subject to change. The part numbers that TE has identified as EU RoHS compliant have a maximum concentration of 0.1% by weight in homogenous materials for lead, hexavalent chromium, mercury, PBB, PBDE, DBP, BBP, DEHP, DIBP, and 0.01% for cadmium, or qualify for an exemption to these limits as defined in the Annexes of Directive 2011/65/EU (RoHS2). Finished electrical and electronic equipment products will be CE marked as required by Directive 2011/65/EU. Components may not be CE marked. Additionally, the part numbers that TE has identified as EU ELV compliant have a maximum concentration of 0.1% by weight in homogenous materials for lead, hexavalent chromium, and mercury, and 0.01% for cadmium, or qualify for an exemption to these limits as defined in the Annexes of Directive 2000/53/EC (ELV). Regarding the REACH Regulation, the information TE provides on SVHC in articles for this part number is based on the latest European Chemicals Agency (ECHA) 'Guidance on requirements for substances in articles' posted at this URL: <https://echa.europa.eu/guidance-documents/guidance-on-reach>

Compatible Parts



Also in the Series

Customers Also Bought



Documents

Product Drawings

[6EHZ1=F8354](#)

English

CAD Files

[3D PDF](#)

3D

Customer View Model

[ENG_CVM_CVM_2-1609037-9_B.2d_dxf.zip](#)

English

Customer View Model

[ENG_CVM_CVM_2-1609037-9_B.3d_igs.zip](#)

English

Customer View Model

[ENG_CVM_CVM_2-1609037-9_B.3d_stp.zip](#)

English

By downloading the CAD file I accept and agree to the [Terms and Conditions](#) of use.

Datasheets & Catalog Pages

[1654001_CORCOM_PRODUCT_GUIDE_HZ_SERIES](#)

English

[Corcom Combined Selector Charts](#)

English