



Nanonics

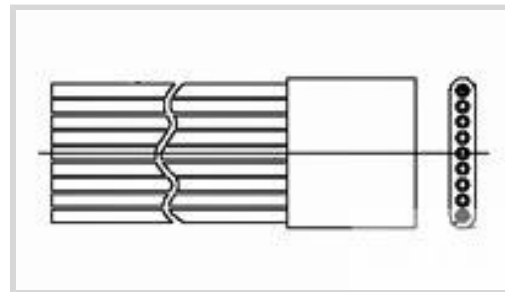
TE Internal #: 2-1589448-0

Plug, Wire-to-Wire, 9 Position, .64 mm [.025 in] Centerline, Wire & Cable, Signal, Microminiature & Nanominiature D Connectors

[View on TE.com >](#)

Connectors > D-Shaped Connectors > Microminiature & Nanominiature D Connectors >

NANONICS Strip Connectors: Plug, Unshrouded, Flying Leads



Connector & Housing Type: **Plug**

Connector System: **Wire-to-Wire**

Number of Positions: **9**

Centerline (Pitch): **.64 mm [.025 in]**

Sealable: **No**

[All NANONICS Strip Connectors: Plug, Unshrouded, Flying Leads \(12\)](#)

Features

Contact Features

Contact Mating Area Plating Material	Gold
Contact Type	Pin
Contact Base Material	Beryllium Copper
Contact Options	Installed
Contact Current Rating (Max)	1 A

Product Type Features

Connector & Housing Type	Plug
Connector System	Wire-to-Wire
Sealable	No
Connector & Contact Terminates To	Wire & Cable

Configuration Features

Number of Positions	9
---------------------	---

Termination Features

Termination Method to Wire & Cable	Preterminated Flying Leads
------------------------------------	----------------------------

Mechanical Attachment

Connector Mounting Type	Cable Mount (Free-Hanging)
-------------------------	----------------------------



Housing Features

Centerline (Pitch)	.64 mm [.025 in]
--------------------	------------------

Usage Conditions

Operating Temperature Range	-200 – 200 °C [-328 – 392 °F]
-----------------------------	-------------------------------

Operation/Application

Circuit Application	Signal
---------------------	--------

Other

EU RoHS Compliance	Compliant
EU ELV Compliance	Compliant

Product Compliance

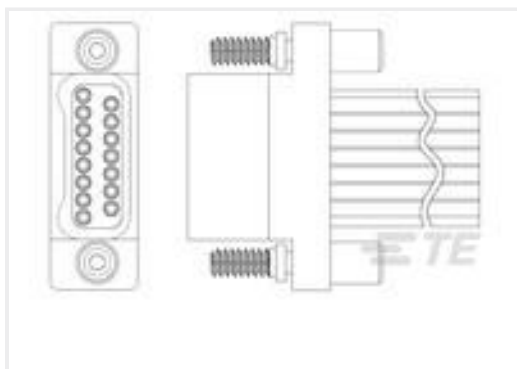
[For compliance documentation, visit the product page on TE.com>](#)

EU RoHS Directive 2011/65/EU	Compliant
EU ELV Directive 2000/53/EC	Compliant
China RoHS 2 Directive MIIT Order No 32, 2016	No Restricted Materials Above Threshold
EU REACH Regulation (EC) No. 1907/2006	Current ECHA Candidate List: JUNE 2024 (241) Candidate List Declared Against: JUNE 2023 (235) Does not contain REACH SVHC
Halogen Content	Low Halogen - Br, Cl, F, I < 900 ppm per homogenous material. Also BFR/CFR/PVC Free
Solder Process Capability	Wave solder capable to 265°C

Product Compliance Disclaimer

This information is provided based on reasonable inquiry of our suppliers and represents our current actual knowledge based on the information they provided. This information is subject to change. The part numbers that TE has identified as EU RoHS compliant have a maximum concentration of 0.1% by weight in homogenous materials for lead, hexavalent chromium, mercury, PBB, PBDE, DBP, BBP, DEHP, DIBP, and 0.01% for cadmium, or qualify for an exemption to these limits as defined in the Annexes of Directive 2011/65/EU (RoHS2). Finished electrical and electronic equipment products will be CE marked as required by Directive 2011/65/EU. Components may not be CE marked. Additionally, the part numbers that TE has identified as EU ELV compliant have a maximum concentration of 0.1% by weight in homogenous materials for lead, hexavalent chromium, and mercury, and 0.01% for cadmium, or qualify for an exemption to these limits as defined in the Annexes of Directive 2000/53/EC (ELV). Regarding the REACH Regulation, the information TE provides on SVHC in articles for this part number is based on the latest European Chemicals Agency (ECHA) 'Guidance on requirements for substances in articles' posted at this URL: <https://echa.europa.eu/guidance-documents/guidance-on-reach>

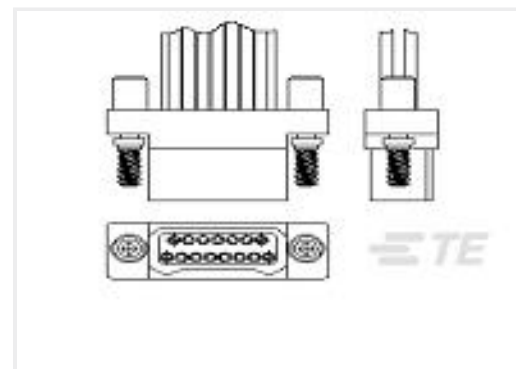
Customers Also Bought



TE Part #1589946-7
STM025PC2DC018Q = Wdualobe



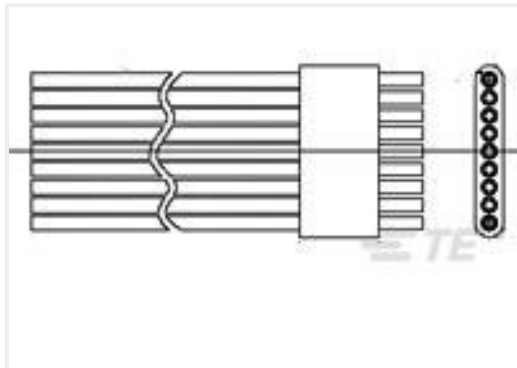
TE Part #1617785-1
FCB-205-0127L=M83536/1-027L



TE Part #8-1589474-4
STM051PC2DC060Q = WDUALOBE



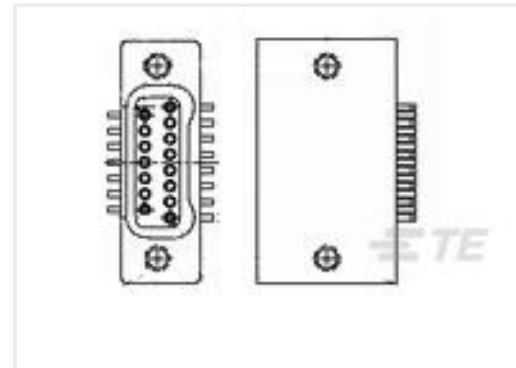
TE Part #5-1589738-8
JTM025PR2DC010Q = Wdualobe



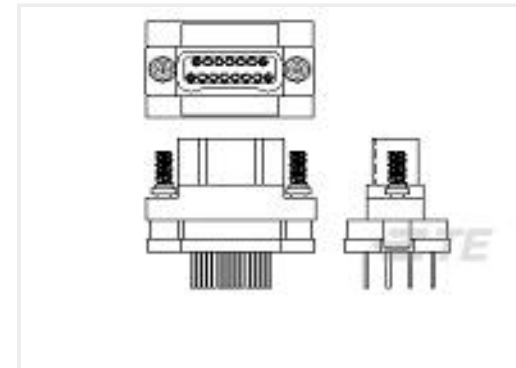
TE Part #8-1589449-8
USS009SC2DM012T = STRIP CON



TE Part #1589283-4
331-0009-04 = HARDWARE



TE Part #9-1589484-4
STL025L44KN = SMT CONN



TE Part #1589482-1
STL025C5N = THRU-HOLE



TE Part #4-1589474-8
STM037PC2DC060Q = WDUALOBE

Documents

Product Drawings

[USS009PC2DC012T = STRIP CON](#)

English

CAD Files

[3D PDF](#)

[3D](#)

[Customer View Model](#)

[ENG_CVM_CVM_2-1589448-0_L_c-2-1589448-0-l.2d_dxf.zip](#)

English

[Customer View Model](#)

[ENG_CVM_CVM_2-1589448-0_L_c-2-1589448-0-l.3d_igs.zip](#)

English

[Customer View Model](#)

[ENG_CVM_CVM_2-1589448-0_L_c-2-1589448-0-l.3d_stp.zip](#)

English

By downloading the CAD file I accept and agree to the [Terms and Conditions](#) of use.

Datasheets & Catalog Pages



[1589448 Nanonics Cross Reference](#)

English