

2-1571999-7 ✓ ACTIVE

Alcoswitch | Alcoswitch DIP ADP & ADPA, Alcoswitch DIP

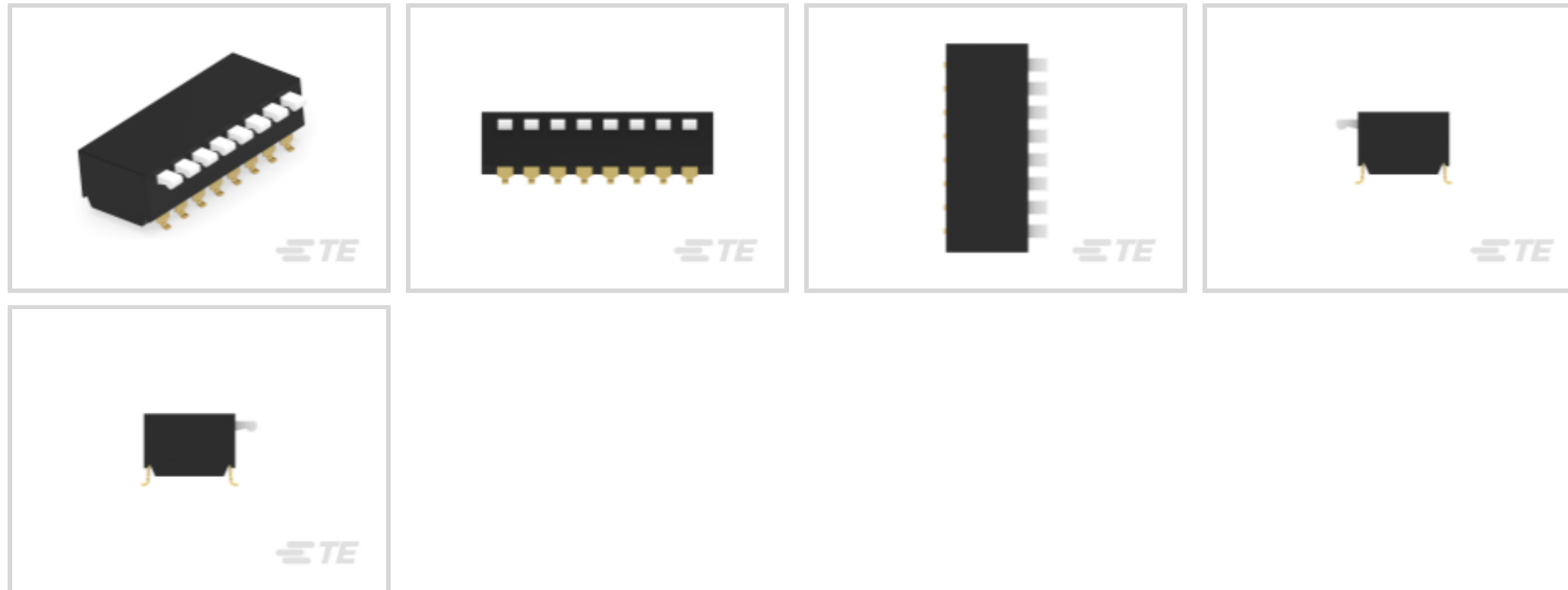
TE Internal #: 2-1571999-7

DIP Switch, Gold Contact Plating, Black, Polyphenylene Sulfide (PPS), 8 Switch, -30 – 85 °C, Piano (Side Actuated), 1 A Contact Rating, Alcoswitch DIP

[View on TE.com >](#)



Switches > DIP & SIP Switches



DIP & SIP Switch Type: **DIP**

Switch Contact Plating Material: **Gold**

Case Color: **Black**

Case Material: **Polyphenylene Sulfide (PPS)**

Sealed Device: **No**

Features

Operation/Application

Assembly Process Feature	Auto-Insert Packaging
--------------------------	-----------------------

Industry Standards

UL Flammability Rating	UL 94V-0
------------------------	----------

Dimensions

Product Length	22.3 mm[.878 in]
----------------	------------------

Product Height	6 mm[.236 in]
----------------	---------------

Packaging Features

Packaging Method	Tube, Box & Tube
------------------	------------------

Packaging Quantity	20
--------------------	----

Housing Features

On Position	Lever Down
-------------	------------

Centerline (Pitch)	2.54 mm[.1 in]
--------------------	----------------

Termination Features



Termination Post & Tail Length	4 mm [.157 in]
Termination Method to PCB	Surface Mount

Configuration Features

Number of Positions	8
Number of Switches	8
Configuration (Pole-Throw)	Single Pole - Single Throw

Body Features

Actuator Color	White
Product Orientation	Vertical
Case Color	Black
Case Material	Polyphenylene Sulfide (PPS)

Contact Features

Contact Underplating Material	Nickel
	1.2 µin
PCB Contact Termination Area Plating Material	Gold
Switch Contact Plating Material	Gold
Contact Base Material	Copper Alloy

Product Type Features

Leg Style	Gull Wing
DIP & SIP Switch Type	DIP
Sealed Device	No
Actuator Style	Piano (Side Actuated)

Usage Conditions

Operating Temperature Range	-30 – 85 °C
-----------------------------	-------------

Electrical Characteristics

Contact Current Rating	1 A
Operating Voltage	5 VDC

Other

EU RoHS Compliance	Compliant
EU ELV Compliance	Compliant

Product Compliance



[For compliance documentation, visit the product page on TE.com>](#)

EU RoHS Directive 2011/65/EU	Compliant
EU ELV Directive 2000/53/EC	Compliant
China RoHS 2 Directive MIIT Order No 32, 2016	No Restricted Materials Above Threshold
EU REACH Regulation (EC) No. 1907/2006	Current ECHA Candidate List: JUNE 2024 (241) Candidate List Declared Against: JUL 2021 (219) Does not contain REACH SVHC
Halogen Content	Not Low Halogen - contains Br or Cl > 900 ppm.
Solder Process Capability	Reflow solder capable to 260°C

Product Compliance Disclaimer

This information is provided based on reasonable inquiry of our suppliers and represents our current actual knowledge based on the information they provided. This information is subject to change. The part numbers that TE has identified as EU RoHS compliant have a maximum concentration of 0.1% by weight in homogenous materials for lead, hexavalent chromium, mercury, PBB, PBDE, DBP, BBP, DEHP, DIBP, and 0.01% for cadmium, or qualify for an exemption to these limits as defined in the Annexes of Directive 2011/65/EU (RoHS2). Finished electrical and electronic equipment products will be CE marked as required by Directive 2011/65/EU. Components may not be CE marked. Additionally, the part numbers that TE has identified as EU ELV compliant have a maximum concentration of 0.1% by weight in homogenous materials for lead, hexavalent chromium, and mercury, and 0.01% for cadmium, or qualify for an exemption to these limits as defined in the Annexes of Directive 2000/53/EC (ELV). Regarding the REACH Regulation, the information TE provides on SVHC in articles for this part number is based on the latest European Chemicals Agency (ECHA) 'Guidance on requirements for substances in articles' posted at this URL: <https://echa.europa.eu/guidance-documents/guidance-on-reach>

Compatible Parts



TE Part # 1571999-6
ADP0404=PIANO DIP SWITCH



TE Part # 2-1571999-6
ADP0804=PIANO DIP SWITCH



TE Part # 2-1571999-9
ADP08STR04=PIANO DIP SWITCH



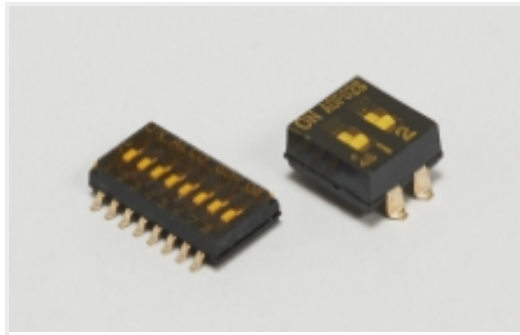
TE Part # 1571999-1
ADP0204=PIANO DIP SWITCH



TE Part # 1571999-4
ADP02STR04=PIANO DIP SWITCH

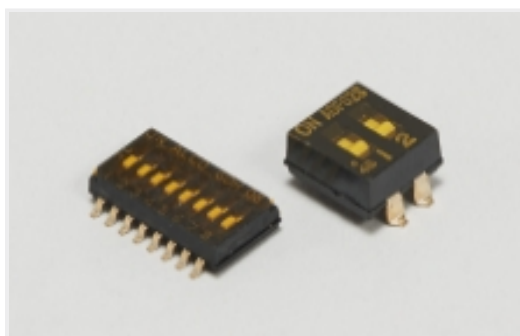


Also in the Series | [Alcoswitch DIP ADP & ADPA](#)



DIP & SIP Switches(160)

Also in the Series | [Alcoswitch DIP](#)



DIP & SIP Switches(160)



Rotary Switches(16)

Customers Also Bought



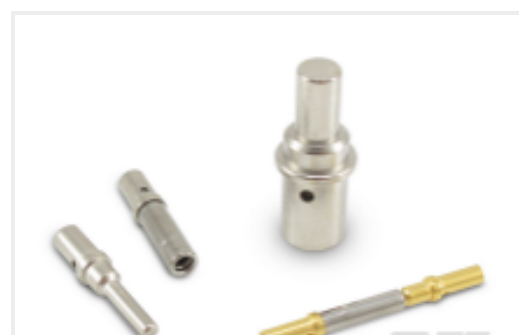
TE Part #DT04-2P
REC, 2P, GRY, N



TE Part #DT06-2S
PLG, 2P, GRY, N



TE Part #CAT-D487-W416
Wedgelocks: DEUTSCH DT



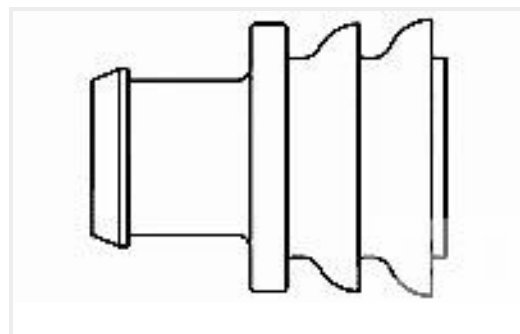
TE Part #CAT-D48-ST273
DEUTSCH Solid Contacts



TE Part #CAT-AM71-CH8172
AMP SUPERSEAL 1.5MM,
CONNECTOR HOUSING



TE Part #114017-ZZ
SEALING PLUG, SIZE 12/16, WHT



TE Part #281934-2
SINGLE WIRE SEAL

Documents

Product Drawings

[ADP08S04=PIANO DIP SWITCH](#)

English

CAD Files



Customer View Model

[ENG_CVM_CVM_2-1571999-7_E.3d_igs.zip](#)

English

Customer View Model

[ENG_CVM_CVM_2-1571999-7_E.3d_stp.zip](#)

English

Customer View Model

[ENG_CVM_CVM_2-1571999-7_E.2d_dxf.zip](#)

English

[3D PDF](#)

[3D](#)

By downloading the CAD file I accept and agree to the [Terms and Conditions](#) of use.

Datasheets & Catalog Pages

[SWITCHES_CORE_PROGRAM_CATALOG](#)

English

[ADE_ADP_ADF_Datasheet](#)

English