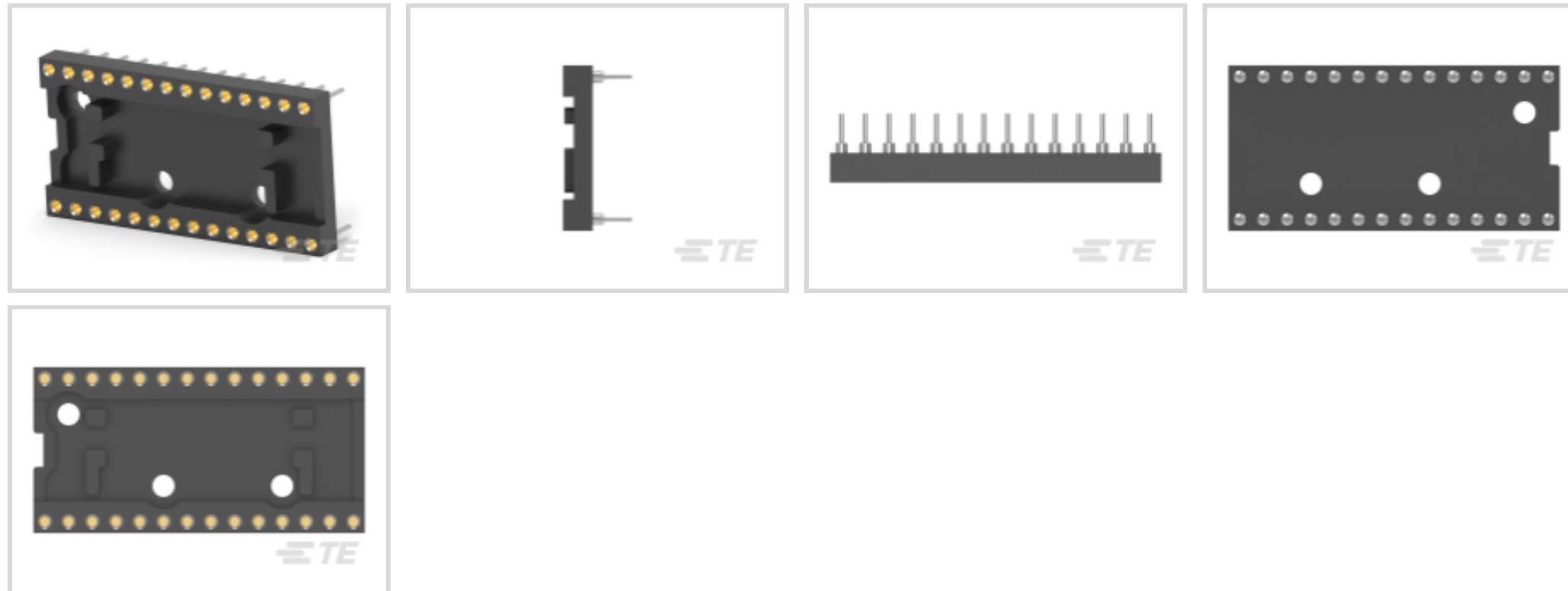




Connectors > Socket Connectors > IC Sockets > DIP Sockets



Contact Fabrication: **Stamped & Formed**

Number of Positions: **28**

Connector Profile: **Standard**

Row-to-Row Spacing: **15.24 mm [ .6 in ]**

Contact Mating Area Plating Material: **Gold Flash**

## Features

### Product Type Features

Connector & Contact Terminates To	Printed Circuit Board
-----------------------------------	-----------------------

### Configuration Features

PCB Mount Orientation	Vertical
Number of Rows	2
Number of Positions	28

### Electrical Characteristics

Contact Resistance	10 mΩ
Insulation Resistance	5000 MΩ

### Body Features

Sleeve Plating Material	Tin
Frame Style	Closed
Sleeve Material	Nickel
Connector Profile	Standard

### Contact Features

Mating Contact Type	Four-Fingered
---------------------	---------------

Contact Base Material	Beryllium Copper
IC Socket Type	DIP
PCB Contact Termination Area Plating Material	Tin
Contact Type	Pin
Contact Fabrication	Stamped & Formed
Contact Mating Area Plating Material	Gold Flash
Contact Mating Area Plating Material Thickness	.63 $\mu\text{m}$ [25 $\mu\text{in}$ ]
Contact Current Rating (Max)	3 A

### Termination Features

Termination Method to PCB	Through Hole - Solder
Termination Post & Tail Length	3.18 mm[.125 in]

### Mechanical Attachment

Connector Mounting Type	Board Mount
Mating Alignment Type	Polarization
Mating Alignment	With

### Housing Features

Housing Color	Black
Housing Material	Thermoplastic
Centerline (Pitch)	2.54 mm[.1 in]

### Dimensions

Product Length	35.56 mm[1.4 in]
Profile Height from PCB	4.57 mm[.18 in]
Row-to-Row Spacing	15.24 mm[.6 in]

### Operation/Application

Circuit Application	Signal
---------------------	--------

### Industry Standards

UL Flammability Rating	UL 94V-0
------------------------	----------

### Packaging Features

Tubes per Box	100
Packaging Method	Box & Tube, Tube
Packaging Quantity	80

### Other

Quantity per Tube	17
-------------------	----

### Product Compliance

[For compliance documentation, visit the product page on TE.com>](#)

EU RoHS Directive 2011/65/EU	Compliant
EU ELV Directive 2000/53/EC	Compliant
China RoHS 2 Directive MIIT Order No 32, 2016	No Restricted Materials Above Threshold
EU REACH Regulation (EC) No. 1907/2006	Current ECHA Candidate List: JUNE 2025 (250) Candidate List Declared Against: JAN 2021 (211) Does not contain REACH SVHC
Halogen Content	Not Low Halogen - contains Br or Cl > 900 ppm.
Solder Process Capability	Wave solder capable to 265°C

#### Product Compliance Disclaimer

This information is provided based on reasonable inquiry of our suppliers and represents our current actual knowledge based on the information they provided. This information is subject to change. The part numbers that TE has identified as EU RoHS compliant have a maximum concentration of 0.1% by weight in homogenous materials for lead, hexavalent chromium, mercury, PBB, PBDE, DBP, BBP, DEHP, DIBP, and 0.01% for cadmium, or qualify for an exemption to these limits as defined in the Annexes of Directive 2011/65/EU (RoHS2). Finished electrical and electronic equipment products will be CE marked as required by Directive 2011/65/EU. Components may not be CE marked. Additionally, the part numbers that TE has identified as EU ELV compliant have a maximum concentration of 0.1% by weight in homogenous materials for lead, hexavalent chromium, and mercury, and 0.01% for cadmium, or qualify for an exemption to these limits as defined in the Annexes of Directive 2000/53/EC (ELV). Regarding the REACH Regulation, the information TE provides on SVHC in articles for this part number is based on the latest European Chemicals Agency (ECHA) 'Guidance on requirements for substances in articles' posted at this URL: <https://echa.europa.eu/guidance-documents/guidance-on-reach>

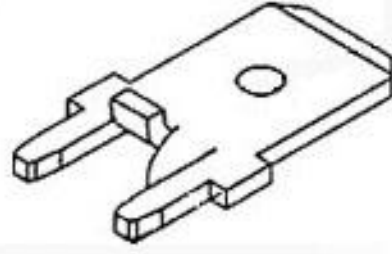
### Customers Also Bought



TE Part #34113  
SOLIS R 22-16COMM 22-18MIL 1/4



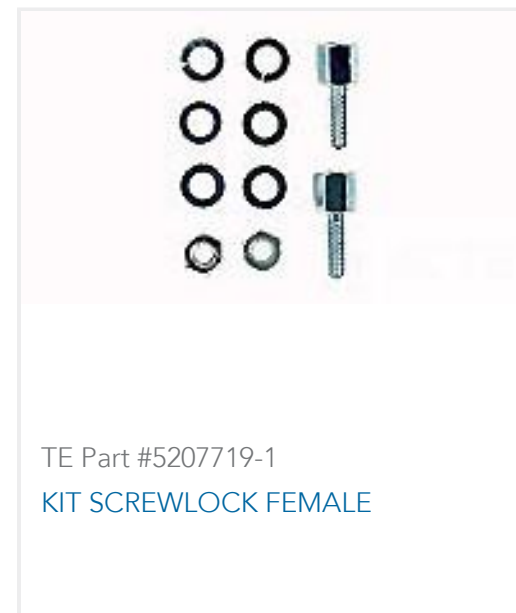
TE Part #40725  
RING 190(4.82MM)TERMINAL 18-14 AWG TPBR



TE Part #63862-1  
250 FASTON TAB TPBR



TE Part #213854-4  
CPC RECPT ASSEMBLY SIZE 23-37



## Documents

### Product Drawings

[528-AG11D-ESL-LF=500 DIP,GF/SN](#)

English

### CAD Files

[3D PDF](#)

3D

Customer View Model

[ENG\\_CVM\\_CVM\\_2-1571551-9\\_C.2d\\_dxf.zip](#)

English

Customer View Model

[ENG\\_CVM\\_CVM\\_2-1571551-9\\_C.3d\\_igs.zip](#)

English

Customer View Model

[ENG\\_CVM\\_CVM\\_2-1571551-9\\_C.3d\\_stp.zip](#)

English

By downloading the CAD file I accept and agree to the [Terms and Conditions](#) of use.

### Datasheets & Catalog Pages

[DIP Sockets Quick Reference Guide \(EN\)](#)

English