

# KN1251A1/4 ✓ ACTIVE

## Alcoswitch

TE Internal #: 2-1437622-9

Aluminum 5056-H18, Straight Knurl Knob Design, 6.35 mm [.25 in]  
Shaft, 31.75 mm [1.25 in] Diameter, Natural, Line Indicator, Switch  
Knobs

[View on TE.com >](#)



Switches > Switch Knobs



Primary Product Material: **Aluminum 5056-H18**

Knob Design: **Straight Knurl**

Shaft Size: **6.35 mm [.25 in]**

Product Diameter: **31.75 mm [1.25 in]**

Primary Product Color: **Natural**

### Features

#### Configuration Features

|             |                |
|-------------|----------------|
| Spinner     | Without        |
| Skirt       | Without        |
| Spin Plate  | Without        |
| Knob Design | Straight Knurl |

#### Body Features

|                          |                   |
|--------------------------|-------------------|
| Primary Product Material | Aluminum 5056-H18 |
| Primary Product Color    | Natural           |

#### Dimensions

|                  |                    |
|------------------|--------------------|
| Shaft Size       | 6.35 mm [.25 in]   |
| Product Diameter | 31.75 mm [1.25 in] |

#### Identification Marking

|                    |      |
|--------------------|------|
| Indicator Style    | Line |
| Indicator Location | Side |



## Product Compliance

[For compliance documentation, visit the product page on TE.com>](#)

|   |   |
|---|---|
| EU RoHS Directive 2011/65/EU                  | Compliant   |
| EU ELV Directive 2000/53/EC                   | Compliant   |
| China RoHS 2 Directive MIIT Order No 32, 2016 | No Restricted Materials Above Threshold   |
| EU REACH Regulation (EC) No. 1907/2006        | Current ECHA Candidate List: JUNE 2024 (241)<br>Candidate List Declared Against: JUNE 2024 (241)<br>Does not contain REACH SVHC |
| Halogen Content                               | Low Halogen - Br, Cl, F, I < 900 ppm per homogenous material. Also BFR/CFR/PVC Free   |
| Solder Process Capability                     | Not applicable for solder process capability  |

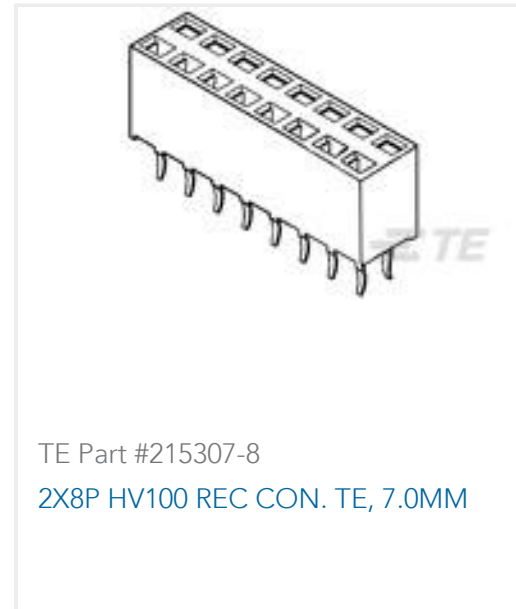
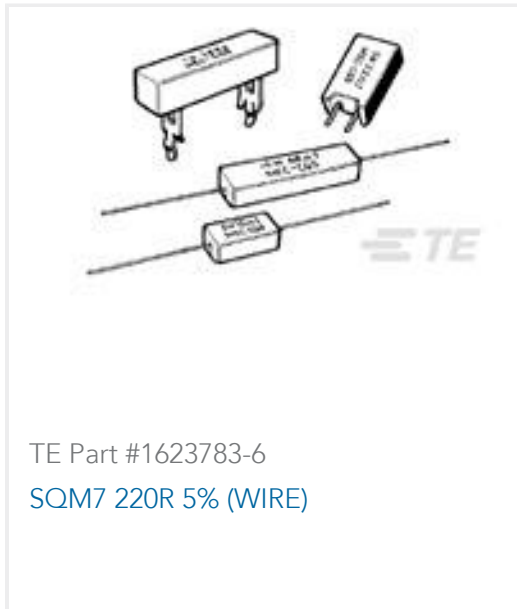
### Product Compliance Disclaimer

This information is provided based on reasonable inquiry of our suppliers and represents our current actual knowledge based on the information they provided. This information is subject to change. The part numbers that TE has identified as EU RoHS compliant have a maximum concentration of 0.1% by weight in homogenous materials for lead, hexavalent chromium, mercury, PBB, PBDE, DBP, BBP, DEHP, DIBP, and 0.01% for cadmium, or qualify for an exemption to these limits as defined in the Annexes of Directive 2011/65/EU (RoHS2). Finished electrical and electronic equipment products will be CE marked as required by Directive 2011/65/EU. Components may not be CE marked. Additionally, the part numbers that TE has identified as EU ELV compliant have a maximum concentration of 0.1% by weight in homogenous materials for lead, hexavalent chromium, and mercury, and 0.01% for cadmium, or qualify for an exemption to these limits as defined in the Annexes of Directive 2000/53/EC (ELV). Regarding the REACH Regulation, the information TE provides on SVHC in articles for this part number is based on the latest European Chemicals Agency (ECHA) 'Guidance on requirements for substances in articles' posted at this URL: <https://echa.europa.eu/guidance-documents/guidance-on-reach>

## Compatible Parts



## Customers Also Bought



## Documents

### CAD Files

3D PDF

3D

### Customer View Model

[ENG\\_CVM\\_CVM\\_2-1437622-9\\_99\\_c-2-1437622-9-99.2d\\_dxf.zip](#)

English

### Customer View Model

[ENG\\_CVM\\_CVM\\_2-1437622-9\\_99\\_c-2-1437622-9-99.3d\\_igs.zip](#)

English

### Customer View Model

[ENG\\_CVM\\_CVM\\_2-1437622-9\\_99\\_c-2-1437622-9-99.3d\\_stp.zip](#)

English

By downloading the CAD file I accept and agree to the [Terms and Conditions](#) of use.

### Datasheets & Catalog Pages

[Alcoswitch Products](#)

English