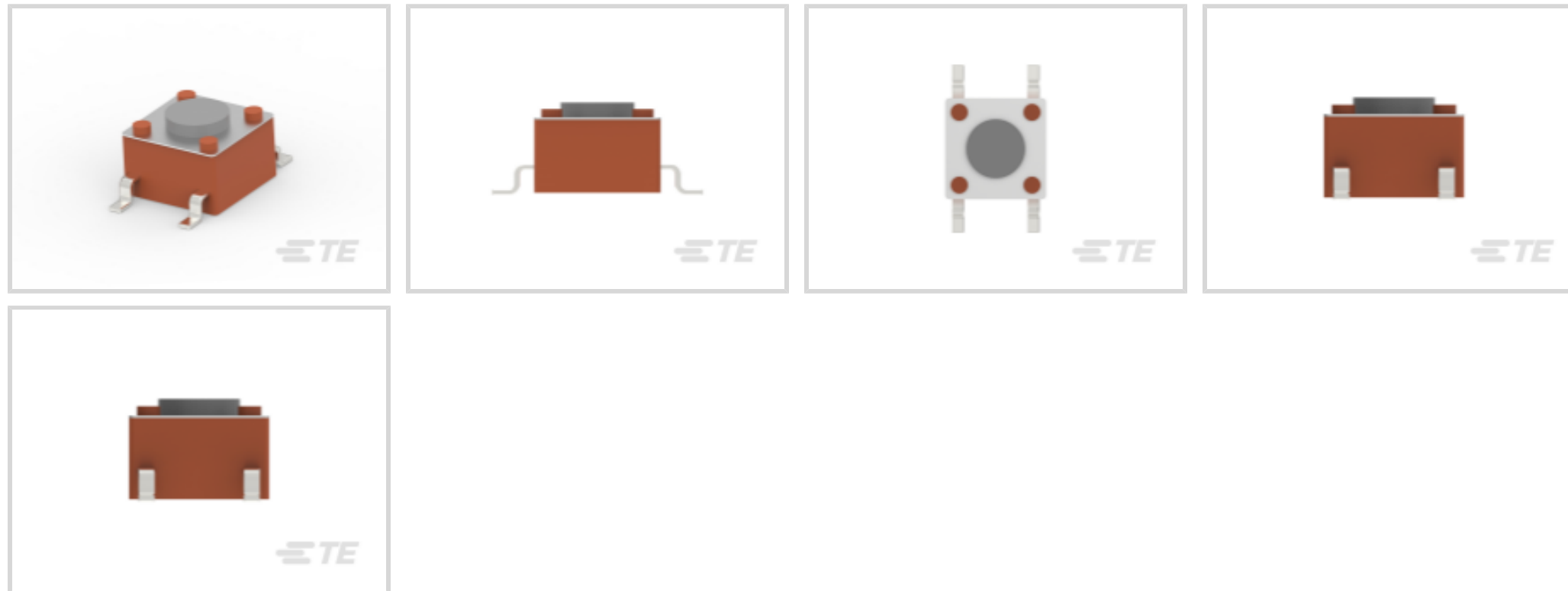




Switches > Tactile Switches



Contact Current Rating: **50 mA**
 Actuator Style: **Round Actuator**
 Operating Function: **NO**
 Contact Base Material: **Copper Alloy**
 Switch Contact Plating Material: **Silver**

Features

Packaging Features

Packaging Method	Loose Piece
------------------	-------------

Dimensions

Button Width	3.5 mm[.138 in]
Product Height	4.3 mm[.169 in]
Actuator Length	.7 mm[.028 in]

Body Features

Case Material	Polyamide
Actuator Profile	Extended
Case Color	Brown
Actuator Material	Polyamide
Cover Material	Steel
Actuator Force	160 g[5.64 oz]
Product Orientation	Vertical
Actuator Color	Gray

Configuration Features

Switch Feedback Type	Tactile
ESD Grounding Terminal	Without
Ganged	With
Operating Function	NO
Support Bracket	Without
Configuration (Pole-Throw)	Single Pole - Single Throw
Number of Actuators	Single

Product Type Features

Leg Style	Gull Wing
Switch Connection Type	Printed Circuit Board
Illuminated	Without
Actuator Style	Round Actuator

Contact Features

Contact Current Rating	50 mA
Contact Base Material	Copper Alloy
Switch Contact Plating Material	Silver

Housing Features

Low Profile	With
Process Sealed	No

Electrical Characteristics

Operating Voltage	24 VDC
-------------------	--------

Termination Features

Termination Method to PCB	Surface Mount
---------------------------	---------------

Usage Conditions

Operating Temperature Range	-40 – 85 °C
-----------------------------	-------------

Other

EU RoHS Compliance	Compliant
EU ELV Compliance	Compliant

Product Compliance

[For compliance documentation, visit the product page on TE.com>](#)

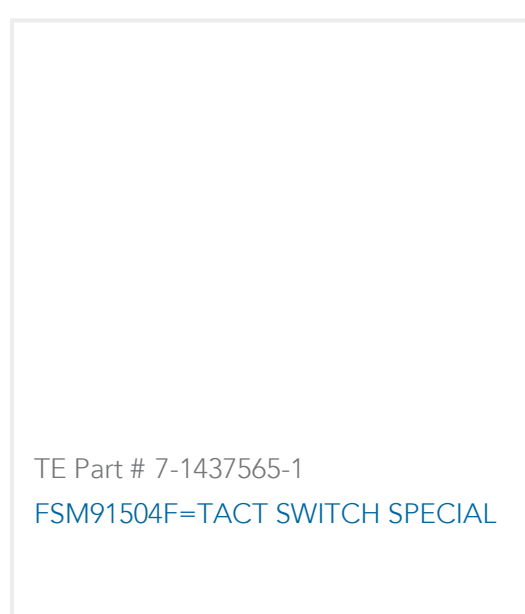







EU RoHS Directive 2011/65/EU	Compliant
EU ELV Directive 2000/53/EC	Compliant
China RoHS 2 Directive MIIT Order No 32, 2016	No Restricted Materials Above Threshold
EU REACH Regulation (EC) No. 1907/2006	Current ECHA Candidate List: JUNE 2024 (241) Candidate List Declared Against: JUNE 2024 (241) Does not contain REACH SVHC
Halogen Content	Low Halogen - Br, Cl, F, I < 900 ppm per homogenous material. Also BFR/CFR/PVC Free
Solder Process Capability	Reflow solder capable to 260°C

Product Compliance Disclaimer

This information is provided based on reasonable inquiry of our suppliers and represents our current actual knowledge based on the information they provided. This information is subject to change. The part numbers that TE has identified as EU RoHS compliant have a maximum concentration of 0.1% by weight in homogenous materials for lead, hexavalent chromium, mercury, PBB, PBDE, DBP, BBP, DEHP, DIBP, and 0.01% for cadmium, or qualify for an exemption to these limits as defined in the Annexes of Directive 2011/65/EU (RoHS2). Finished electrical and electronic equipment products will be CE marked as required by Directive 2011/65/EU. Components may not be CE marked. Additionally, the part numbers that TE has identified as EU ELV compliant have a maximum concentration of 0.1% by weight in homogenous materials for lead, hexavalent chromium, and mercury, and 0.01% for cadmium, or qualify for an exemption to these limits as defined in the Annexes of Directive 2000/53/EC (ELV). Regarding the REACH Regulation, the information TE provides on SVHC in articles for this part number is based on the latest European Chemicals Agency (ECHA) 'Guidance on requirements for substances in articles' posted at this URL: <https://echa.europa.eu/guidance-documents/guidance-on-reach>

Compatible Parts

 <p>TE Part # 7-1437565-1 FSM91504F=TACT SWITCH SPECIAL</p>	 <p>TE Part # 2-1977223-8 FSM14JSMAS=6MM TACT SWITCH, SMT 160gf</p>	 <p>TE Part # 2-1825910-7 FSM14JH=6MM TACT SWITCH, HIGH TEMP</p>	 <p>TE Part # 4-1437565-2 FSM4JSMATR=TACT SWITCH 6X6MIL</p>
 <p>TE Part # 3-1437565-0 FSM2JSMATR=ON T/R</p>	 <p>TE Part # 1825910-6 FSM4JH=6MM TACT SWITCH, HIGH TEMP</p>		

Also in the Series | Alcoswitch FSMJSMA



Tactile Switches(22)

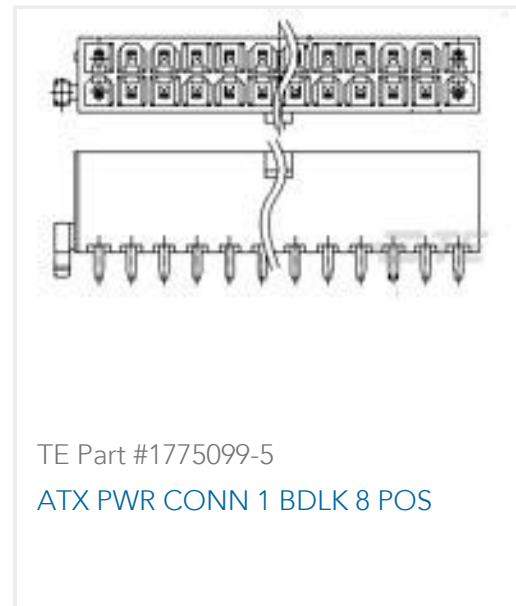
Customers Also Bought



TE Part #1676156-3
RN 0805 113K 0.1% 10PPM 5KRL




TE Part #4-2176316-1
MELF SMA_A 180R 1% 50PPM 0207 1W



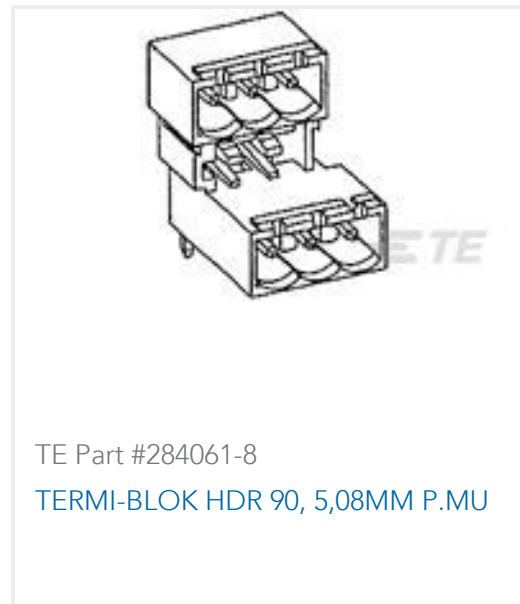
TE Part #1775099-5
ATX PWR CONN 1 BDLK 8 POS



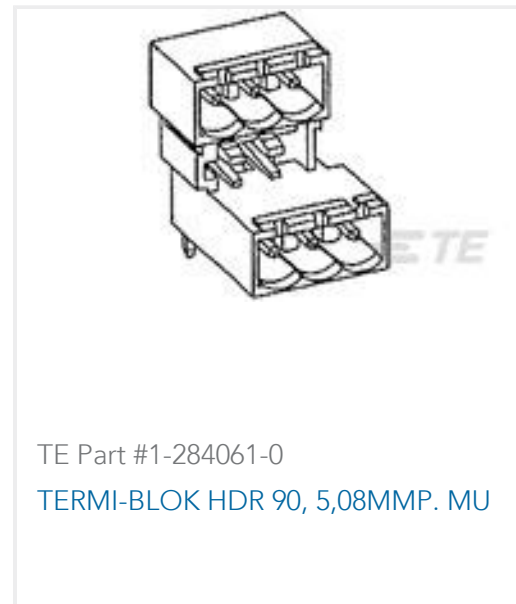
TE Part #9-1879133-4
RN 0603 8K25 0.1% 10PPM 1K RL



TE Part #625008-000
D-129-03



TE Part #284061-8
TERMI-BLOK HDR 90, 5,08MM P.MU



TE Part #1-284061-0
TERMI-BLOK HDR 90, 5,08MMP. MU



TE Part #3-582118-2
TEST PROBE REC130 BI RED GPBR



TE Part #2-2176089-0
RP 1J 0.166W 17K4 0.1% 25PPM 1K RL



TE Part #BAT-HLD-001-THM-TR
Battery Holder 2032 2025 THM T&R Pack

Documents

Product Drawings

[FSM2JSMA=SMT,TACTILE,PB SWITCH](#)

English

CAD Files

Customer View Model

[ENG_CVM_CVM_2-1437565-7_V1.2d_dxf.zip](#)

English

Customer View Model



[ENG_CVM_CVM_2-1437565-7_V1.3d_stp.zip](#)

English

[3D PDF](#)

3D

Customer View Model

[ENG_CVM_CVM_2-1437565-7_V1.3d_igs.zip](#)

English

By downloading the CAD file I accept and agree to the [Terms and Conditions](#) of use.

Datasheets & Catalog Pages

[SWITCHES_CORE_PROGRAM_CATALOG](#)

English

[Products for Mobile Equipment](#)

English