

2-1416010-6 ✓ ACTIVE

SCHRACK | SCHRACK Miniature PCB Relay RE

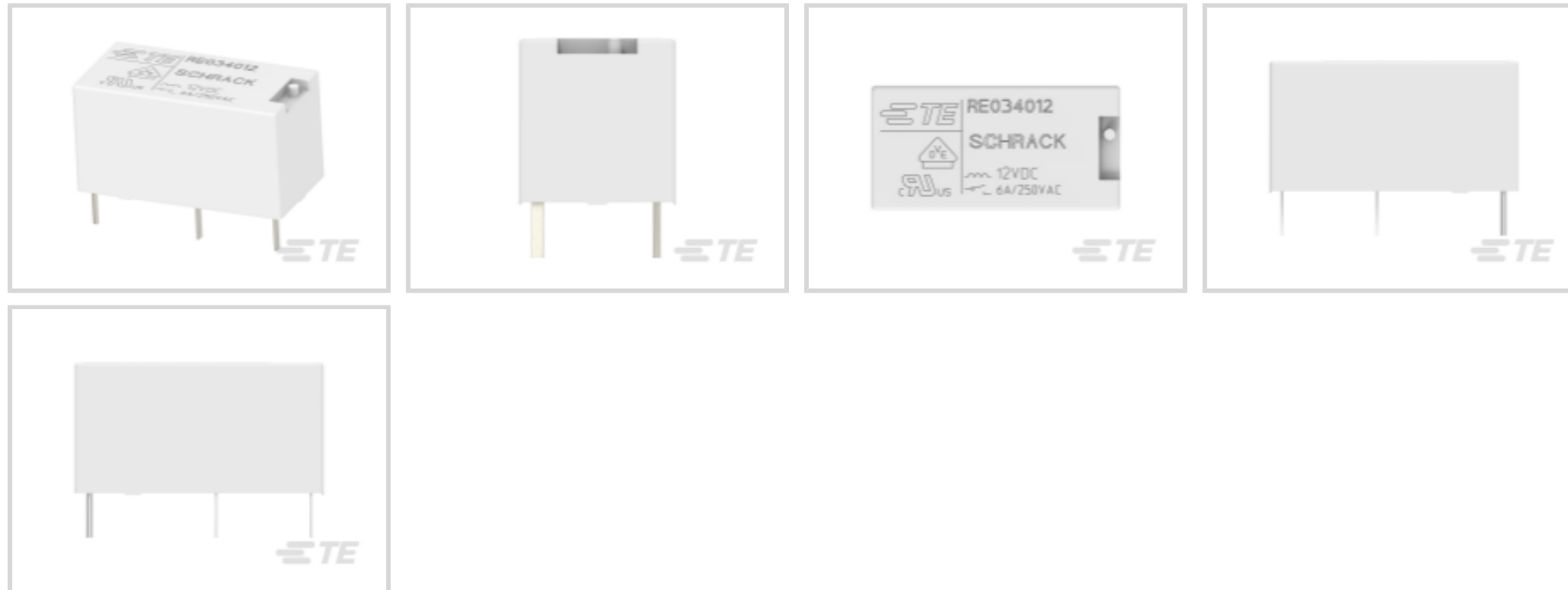
TE Internal #: 2-1416010-6

General Purpose Power Relay, DC, Monostable, 1 Form A SPST-NO, 6 A Contact Rating, 12 VDC Coil Voltage, SCHRACK Miniature PCB Relay RE

[View on TE.com >](#)



Relays & Contactors > Electromechanical Relays



Relay & Contactor Type: **General Purpose Power Relay**

Current Type: **DC**

Coil Magnetic System: **Monostable**

Contact Arrangement: **1 Form A SPST-NO**

Contact Current Rating: **6 A**

## Features

### Contact Features

Contact Material	AgNi90/10
------------------	-----------

### Dimensions

Insulation Clearance Between Contact & Coil	4 mm[.157 in]
Insulation Creepage Between Contact & Coil	4 mm[.157 in]
Product Width	10 mm[.393 in]
Product Length	20 mm[.787 in]
Product Height	10.6 mm[.417 in]

### Packaging Features

Packaging Method	Carton, Box & Tube
------------------	--------------------

### Other

Coil Power Rating Class	.15 – .2 W
Contact Current Class	16 A
Environmental Ambient Temperature Class	50 – 70 °C
Height Class (Mechanical)	10 – 11 mm



Length Class (Mechanical)	16 – 20 mm
Width Class (Mechanical)	8 – 10 mm
EU RoHS Compliance	Compliant
EU ELV Compliance	Compliant

### Usage Conditions

Environmental Category of Protection	RTIII
Environmental Ambient Temperature (Max)	70 °C[158 °F]

### Body Features

Product Weight	6 g[.2116 oz]
Enclosure Type	Flux Resistant Automatic Soldering & Washable

### Electrical Characteristics

Contact Limiting Short-Time Current	6 A
Contact Limiting Making Current	6 A
Contact Limiting Continuous Current	6 A
Contact Limiting Breaking Current	6 A
Insulation Initial Dielectric Between Open Contacts	1000 Vrms
Contact Switching Voltage (Max)	400 VAC
Contact Switching Load (Min)	10mA @ 12V
Coil Resistance	720 Ω
Insulation Initial Resistance	10000 MΩ
Contact Current Rating	6 A
Coil Voltage Rating	12 VDC
Contact Voltage Rating	250 VAC
Coil Power Rating DC	.2 W
Insulation Initial Dielectric Between Contacts & Coil	4000 Vrms

### Configuration Features

Contact Number of Poles	1
Coil Special Features	UL Coil Insulation Class F
Contact Arrangement	1 Form A SPST-NO

### Operation/Application

Solder Process	Wave Solder
----------------	-------------



Current Type	DC
--------------	----

Coil Magnetic System	Monostable
----------------------	------------

### Product Type Features

Relay & Contactor Type	General Purpose Power Relay
------------------------	-----------------------------

### Termination Features

Main Termination & Connection Type	Solder Pins
------------------------------------	-------------

Coil Termination & Connection Type	Solder Pins
------------------------------------	-------------

### Mechanical Attachment

Product Mount Type	Board Mount
--------------------	-------------

## Product Compliance

For compliance documentation, visit the product page on [TE.com](https://www.te.com)>

EU RoHS Directive 2011/65/EU	Compliant
------------------------------	-----------

EU ELV Directive 2000/53/EC	Compliant
-----------------------------	-----------

China RoHS 2 Directive MIIT Order No 32, 2016	No Restricted Materials Above Threshold
---	---

EU REACH Regulation (EC) No. 1907/2006	Current ECHA Candidate List: JUNE 2024 (241) Candidate List Declared Against: JUNE 2024 (241) Does not contain REACH SVHC
--	---

Halogen Content	Not Low Halogen - contains Br or Cl > 900 ppm.
-----------------	--

Solder Process Capability	Wave solder capable to 260°C
---------------------------	------------------------------

#### Product Compliance Disclaimer

This information is provided based on reasonable inquiry of our suppliers and represents our current actual knowledge based on the information they provided. This information is subject to change. The part numbers that TE has identified as EU RoHS compliant have a maximum concentration of 0.1% by weight in homogenous materials for lead, hexavalent chromium, mercury, PBB, PBDE, DBP, BBP, DEHP, DIBP, and 0.01% for cadmium, or qualify for an exemption to these limits as defined in the Annexes of Directive 2011/65/EU (RoHS2). Finished electrical and electronic equipment products will be CE marked as required by Directive 2011/65/EU. Components may not be CE marked. Additionally, the part numbers that TE has identified as EU ELV compliant have a maximum concentration of 0.1% by weight in homogenous materials for lead, hexavalent chromium, and mercury, and 0.01% for cadmium, or qualify for an exemption to these limits as defined in the Annexes of Directive 2000/53/EC (ELV). Regarding the REACH Regulation, the information TE provides on SVHC in articles for this part number is based on the latest European Chemicals Agency (ECHA) 'Guidance on requirements for substances in articles' posted at this URL: <https://echa.europa.eu/guidance-documents/guidance-on-reach>

## Compatible Parts



TE Part # 2-1416010-5  
RE034009

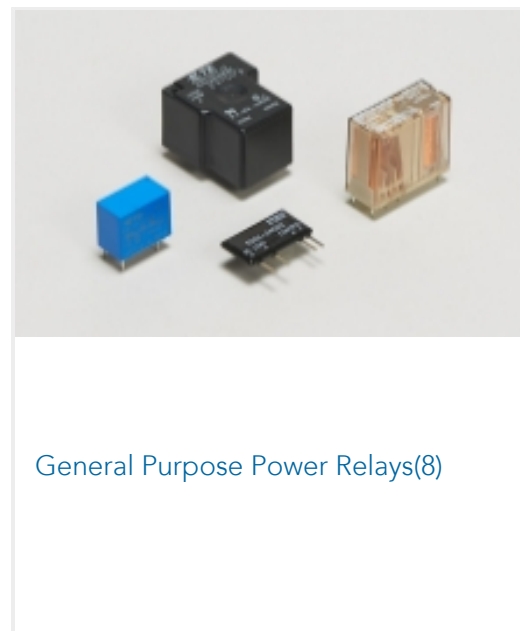


TE Part # 1956220-7  
RE034021

### Also in the Series | SCHRACK Miniature PCB Relay RE



DC Relays(8)



General Purpose Power Relays(8)



PCB Relays(8)

### Customers Also Bought



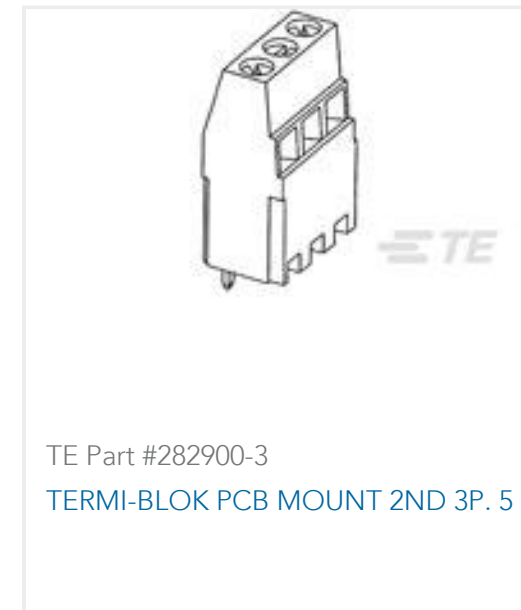
TE Part #216562-3  
4/4 PCB MOD.JACK TE



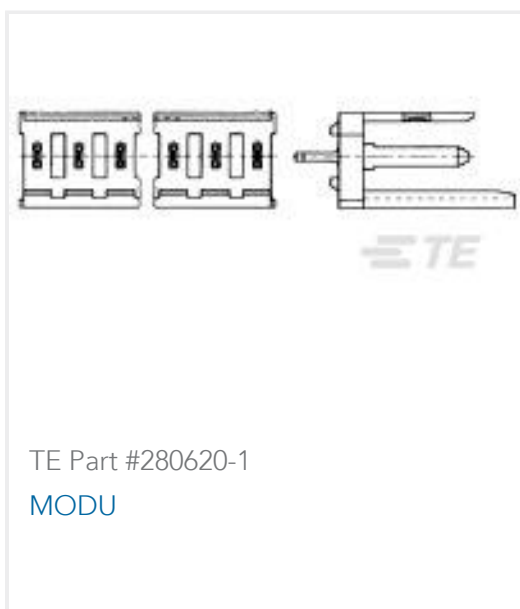
TE Part #2331403-1  
DET SW5.7X4.0X2.0 JB HORZ. NCH  
AG RL



TE Part #3-2176733-7  
HSHC350 1K0 5%



TE Part #282900-3  
TERMI-BLOK PCB MOUNT 2ND 3P. 5



TE Part #280620-1  
MODU



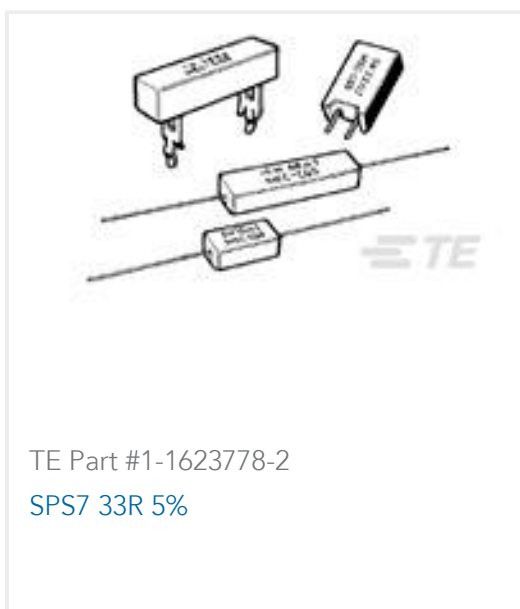
TE Part #1586161-1  
02P UMNL HDR 94VO NDH



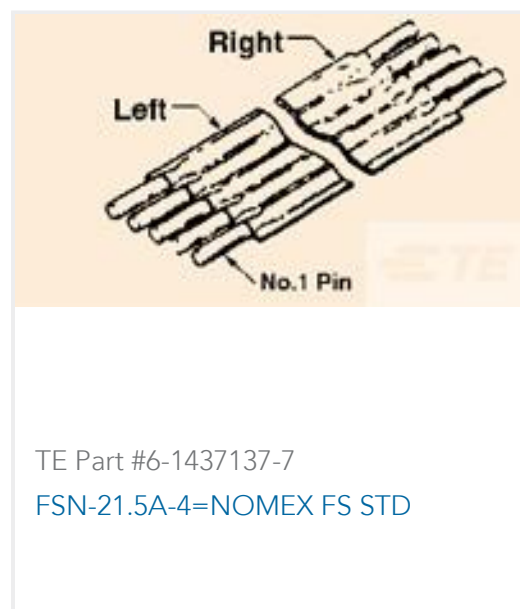
TE Part #1-2176058-3  
RLP73M 3A R033 5% 2K RL



TE Part #9-2176316-8  
MELF SMA-A 680K 1% 50PPM 0207 1W



TE Part #1-1623778-2  
SPS7 33R 5%



TE Part #6-1437137-7  
FSN-21.5A-4=NOMEX FS STD



## Documents

### CAD Files

Customer View Model

[ENG\\_CVM\\_CVM\\_2-1416010-6\\_D2.3d\\_igs.zip](#)

English

Customer View Model

[ENG\\_CVM\\_CVM\\_2-1416010-6\\_D2.3d\\_stp.zip](#)

English

Customer View Model

[ENG\\_CVM\\_CVM\\_2-1416010-6\\_D2.2d\\_dxf.zip](#)

English

### 3D PDF

3D

By downloading the CAD file I accept and agree to the [Terms and Conditions](#) of use.

### Datasheets & Catalog Pages

[Miniature PCB Relay RE](#)

English

### Product Specifications

[Definitions General Purpose Relays](#)

English

### Agency Approvals

[VDE Certificate](#)

English