

2-1393219-0 ✓ ACTIVE

SCHRACK

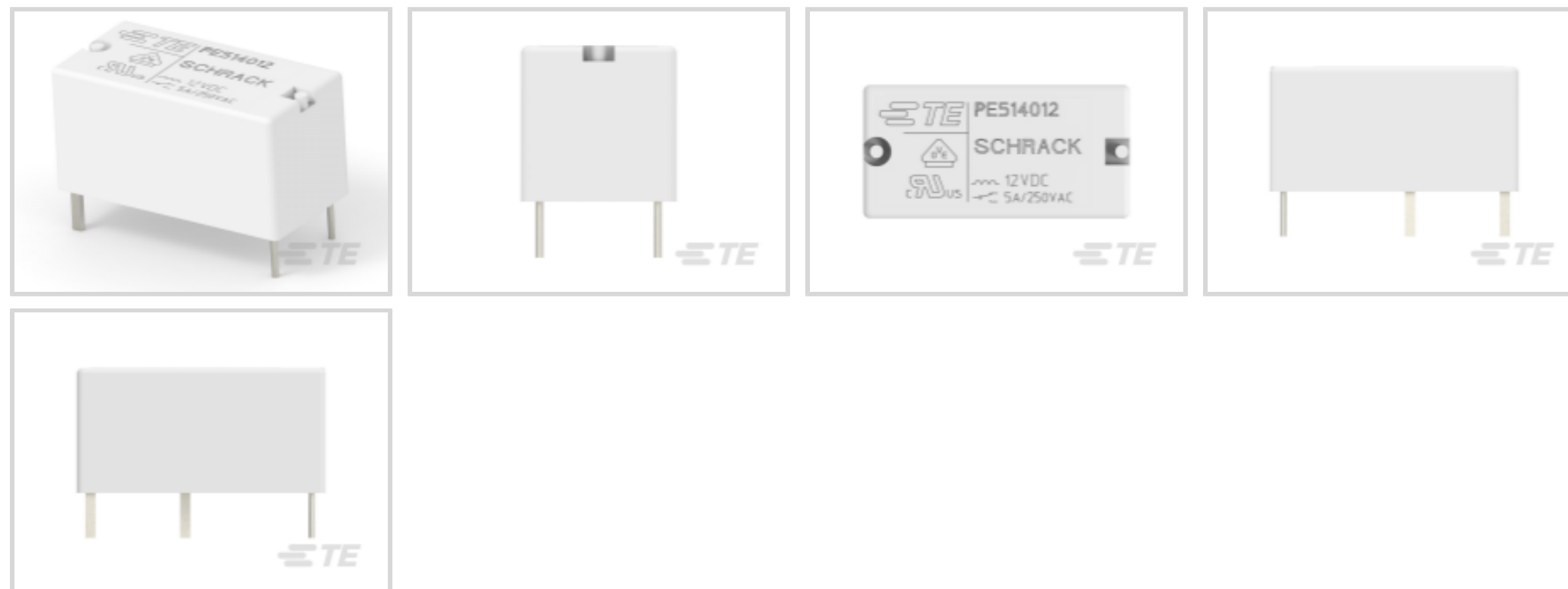
TE Internal #: 2-1393219-0

General Purpose Power Relay, DC, Monostable, 1 Form C SPDT-CO, 5 A Contact Rating, 12 VDC Coil Voltage, 250 VAC Contact Voltage, .21 W Coil Power

[View on TE.com >](#)



Relays & Contactors > Electromechanical Relays



Relay & Contactor Type: **General Purpose Power Relay**

Current Type: **DC**

Coil Magnetic System: **Monostable**

Contact Arrangement: **1 Form C SPDT-CO**

Contact Current Rating: **5 A**

Features

Contact Features

Contact Material	AgNi90/10
------------------	-----------

Dimensions

Product Width	10 mm[.393 in]
---------------	----------------

Product Length	20 mm[.787 in]
----------------	----------------

Product Height	10 mm[.393 in]
----------------	----------------

Packaging Features

Packaging Method	Carton, Box & Tube
------------------	--------------------

Other

Contact Current Class	16 A
-----------------------	------

Coil Power Rating Class	.2 – .3 W
-------------------------	-----------

EU RoHS Compliance	Compliant
--------------------	-----------

EU ELV Compliance	Compliant
-------------------	-----------

Electrical Characteristics



Coil Resistance	685 Ω
Contact Switching Voltage (Max)	400 VAC
Contact Current Rating	5 A
Coil Voltage Rating	12 VDC
Contact Voltage Rating	250 VAC
Coil Power Rating DC	.21 W

Configuration Features

Contact Number of Poles	1
Contact Arrangement	1 Form C SPDT-CO

Operation/Application

Solder Process	Wave Solder
Current Type	DC
Coil Magnetic System	Monostable

Product Type Features

Relay & Contactor Type	General Purpose Power Relay
------------------------	-----------------------------

Termination Features

Main Termination & Connection Type	Solder Pins
Coil Termination & Connection Type	Solder Pins

Mechanical Attachment

Product Mount Type	Board Mount
--------------------	-------------

Product Compliance

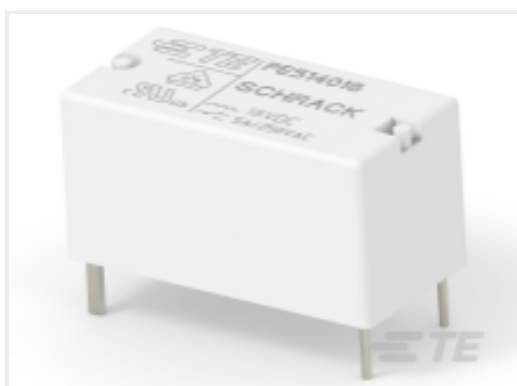
[For compliance documentation, visit the product page on TE.com>](#)

EU RoHS Directive 2011/65/EU	Compliant
EU ELV Directive 2000/53/EC	Compliant
China RoHS 2 Directive MIIT Order No 32, 2016	No Restricted Materials Above Threshold
EU REACH Regulation (EC) No. 1907/2006	Current ECHA Candidate List: JUNE 2024 (241) Candidate List Declared Against: JUNE 2024 (241) Does not contain REACH SVHC
Halogen Content	Not Low Halogen - contains Br or Cl > 900 ppm.
Solder Process Capability	Wave solder capable to 260°C

Product Compliance Disclaimer

This information is provided based on reasonable inquiry of our suppliers and represents our current actual knowledge based on the information they provided. This information is subject to change. The part numbers that TE has identified as EU RoHS compliant have a maximum concentration of 0.1% by weight in homogenous materials for lead, hexavalent chromium, mercury, PBB, PBDE, DBP, BBP, DEHP, DIBP, and 0.01% for cadmium, or qualify for an exemption to these limits as defined in the Annexes of Directive 2011/65/EU (RoHS2). Finished electrical and electronic equipment products will be CE marked as required by Directive 2011/65/EU. Components may not be CE marked. Additionally, the part numbers that TE has identified as EU ELV compliant have a maximum concentration of 0.1% by weight in homogenous materials for lead, hexavalent chromium, and mercury, and 0.01% for cadmium, or qualify for an exemption to these limits as defined in the Annexes of Directive 2000/53/EC (ELV). Regarding the REACH Regulation, the information TE provides on SVHC in articles for this part number is based on the latest European Chemicals Agency (ECHA) 'Guidance on requirements for substances in articles' posted at this URL: <https://echa.europa.eu/guidance-documents/guidance-on-reach>

Compatible Parts



TE Part # 2-1393219-1
PE514018



TE Part # 5-1415545-8
PE513012



TE Part # 1-1393219-8
PE514006

Customers Also Bought



TE Part #1-480698-5
02P UMNL PLUG HSG GRN



TE Part #1-1825910-9
FSM10JAH=6MM TACT SWITCH,
HIGH TEMP



TE Part #1-1879216-2
CPF 0402 64K9 0.1% 25PPM 1K RL



TE Part #8-1879233-9
SMW5 470R 5%



TE Part #2-1416010-4
RE034006



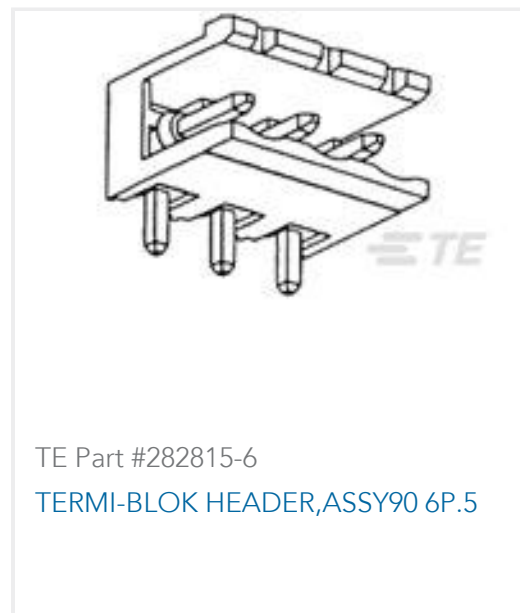
TE Part #3-1461491-3
PCN-112D3MHZ,000



TE Part #3-1879216-4
CPF0402 180K 0.1% 25PPM 1K RL



TE Part #2176331-1
CRGP 2512 10R 1%



Documents

CAD Files

Customer View Model

[ENG_CVM_CVM_2-1393219-0_C2.3d_igs.zip](#)

English

Customer View Model

[ENG_CVM_CVM_2-1393219-0_C2.3d_stp.zip](#)

English

Customer View Model

[ENG_CVM_CVM_2-1393219-0_C2.2d_dxf.zip](#)

English

3D PDF

3D

By downloading the CAD file I accept and agree to the [Terms and Conditions](#) of use.

Datasheets & Catalog Pages

[Miniature PCB Relay PE](#)

English

Product Specifications

[Definitions General Purpose Relays](#)

English

Agency Approvals

[VDE Certificate](#)

English